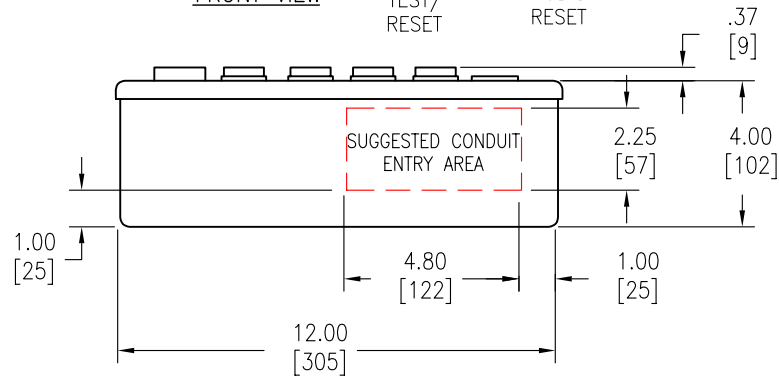


FRONT VIEW



BOTTOM VIEW

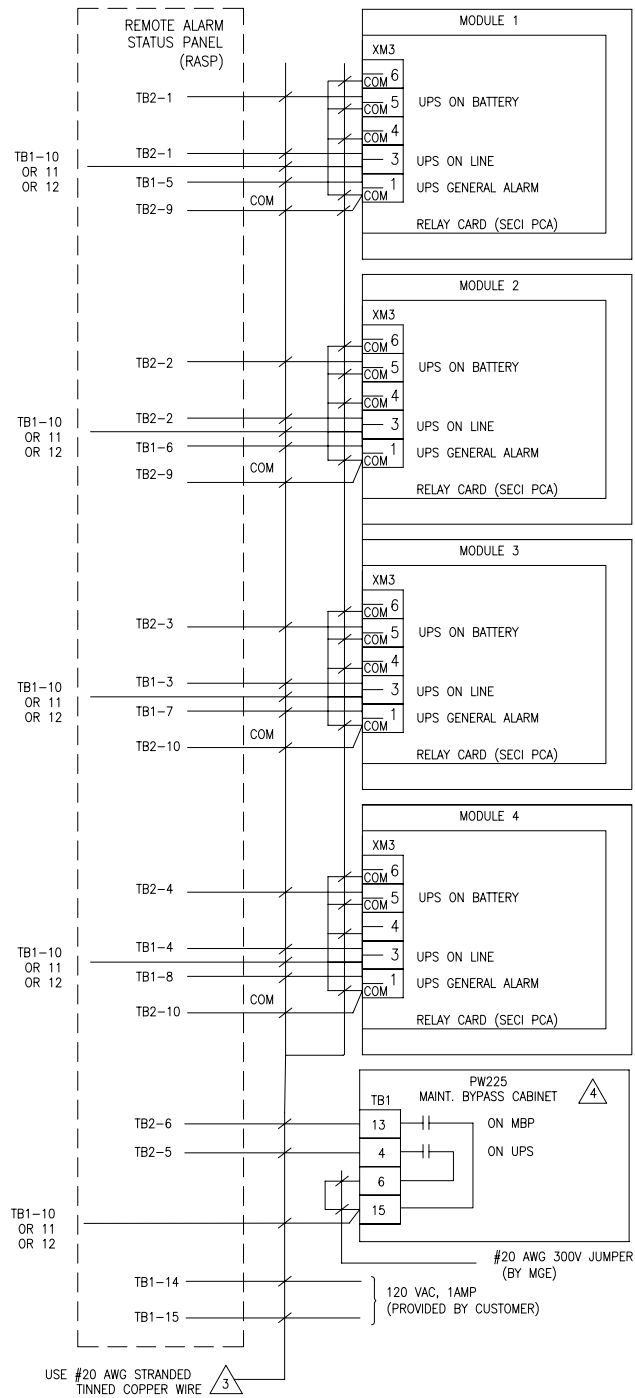
NOTES:

1. INSTALLATION SHALL COMPLY WITH ALL APPLICABLE LOCAL AND NATIONAL CODES.
2. PLEASE REFER TO PRODUCT MANUALS FOR ADDITIONAL DETAILS.
3. ALL DIMENSIONS ARE IN INCHES [MILLIMETERS].
4. TOTAL WEIGHT OF UNIT IS 20 LBS [9.0 KG].
5. COLOR: MGE MED GRAY.
6. UNLESS OTHERWISE SPECIFIED ALL DIMENSIONS ARE TO OUTSIDE EDGE OF THE CABINET, EXCLUDING DOOR LOCK, KEYS AND ALL HARDWARE.

THIS DRAWING AND SPECIFICATIONS HEREIN ARE THE PROPERTY OF SCHNEIDER ELECTRIC AND SHALL NOT BE COPIED, REPRODUCED OR USED IN WHOLE OR IN PART, AS THE BASIS FOR THE MANUFACTURE OR SALE OF ITEMS WITHOUT WRITTEN PERMISSION FROM SCHNEIDER ELECTRIC. THIS DRAWING IS BASED UPON LATEST AVAILABLE INFORMATION AND IS SUBJECT TO CHANGE WITHOUT NOTICE.

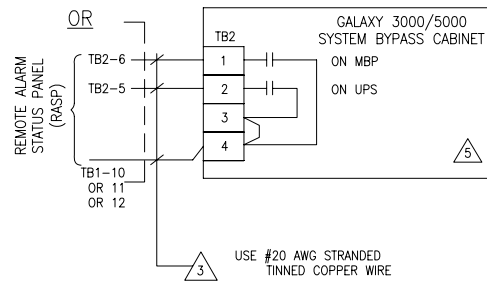


| | | | | | | |
|----------|--|--------------|--------------|--------------------|-----------|-------------|
| TITLE: | GALAXY 3000/5000, PW225 INSTALLATION DRAWING REMOTE ALARM STATUS PANEL (4-MODULE) MAIN MECHANICAL | | DWG NO: | 90-133083-04 | REV. | 0 |
| PROJECT: | SUBMITTAL DRAWINGS | SHEET 1 OF 2 | DRAWN BY: | K.NAGENDRA | 01-APR-10 | THIRD ANGLE |
| | | | ENGINEER: | I. KENNEDY | 16-AUG-06 | PROJECTION |
| | | | APPROVED BY: | B.SHERIDAN/F.DIOSA | 16-AUG-06 | |



NOTES:

1. INSTALLATION SHALL COMPLY WITH ALL APPLICABLE LOCAL AND NATIONAL CODES.
2. PLEASE REFER TO PRODUCT MANUALS FOR ADDITIONAL DETAILS.
- △ 3. ALL INTERCONNECT WIRES TO BE #20 AWG STRANDED TINNED COPPER WIRE, PROVIDED AND CONNECTED BY CUSTOMER.
- △ 4. APPLICABLE MODELS FOR PW225 :- 72-133077-00, 72-133077-35 AND 72-133077-70.
- △ 5. APPLICABLE MODELS FOR GALAXY 3000 :- 72-170-822-22, 72-170-823-22, 72-170-832-22, 72-170-833-22
 APPLICABLE MODELS FOR GALAXY 5000 :- 72-17407X-XX.



THIS DRAWING AND SPECIFICATIONS HEREIN ARE THE PROPERTY OF SCHNEIDER ELECTRIC AND SHALL NOT BE COPIED, REPRODUCED OR USED IN WHOLE OR IN PART, AS THE BASIS FOR THE MANUFACTURE OR SALE OF ITEMS WITHOUT WRITTEN PERMISSION FROM SCHNEIDER ELECTRIC. THIS DRAWING IS BASED UPON LATEST AVAILABLE INFORMATION AND IS SUBJECT TO CHANGE WITHOUT NOTICE.



| | | | |
|--|--|---------------------------------|-------------------------|
| TITLE: GALAXY 3000/5000, PW225 INSTALLATION DRAWING REMOTE ALARM STATUS PANEL (4-MODULE) INTERCONNECTION DIAGRAM | | DWG NO: 90-133083-04 | REV. 0 |
| PROJECT: SUBMITTAL DRAWINGS | | DRAWN BY: K.NAGENDRA | 01-APR-10 |
| SHEET 2 OF 2 | | ENGINEER: I. KENNEDY | 16-AUG-06 |
| | | APPROVED BY: B.SHERIDAN/F.DIOSA | 16-AUG-06 |
| | | | ANGLE PROJECTION N.A |