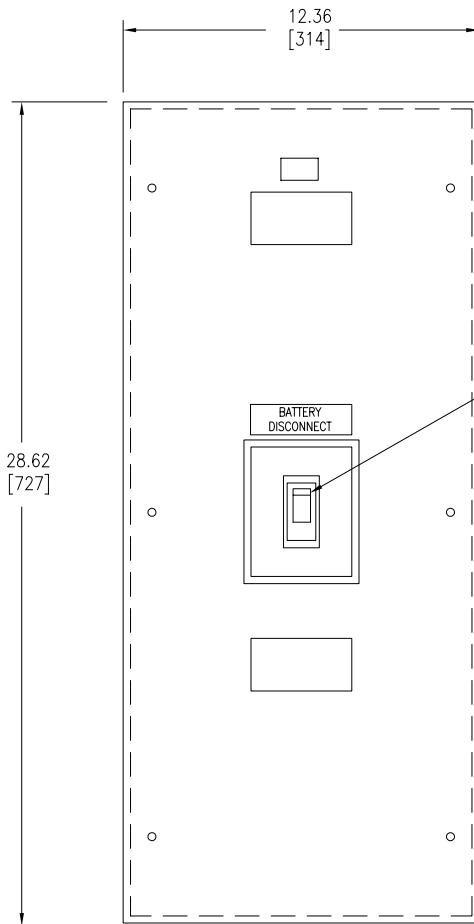
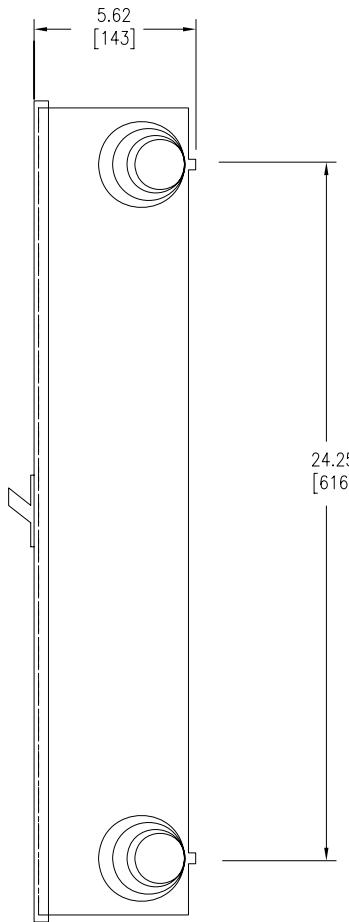


TOP VIEW



FRONT VIEW

BATTERY DISCONNECT



SIDE VIEW

NOTES:

1. INSTALLATION SHALL COMPLY WITH ALL APPLICABLE LOCAL AND NATIONAL CODES.
2. PLEASE REFER TO PRODUCT MANUALS FOR ADDITIONAL DETAILS.
3. ALL DIMENSIONS ARE IN INCHES [MILLIMETERS].
4. UNLESS OTHERWISE SPECIFIED ALL DIMENSIONS ARE TO OUTSIDE EDGE OF THE CABINET, EXCLUDING HARDWARE, CIRCUIT BREAKER HANDLE ETC.,
5. COLOR: GRAY (ANSI 49).
6. BATTERY DISCONNECT CABINET, 175A/250A IS DESIGNED FOR CABLE ENTRY THROUGH TOP OR BOTTOM OF CABINET.
7. CIRCUIT BREAKER LUGS CAN ACCEPT 1-#6 - 350MCM.
8. CONTROL WIRES MUST BE RUN IN INDIVIDUAL CONDUIT SEPARATE FROM POWER WIRES.
9. ALL EXTERNAL WIRING BY CUSTOMER.
10. ENCLOSURE - NEMA1

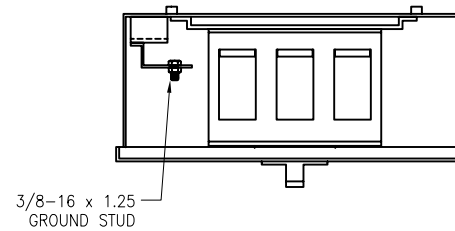
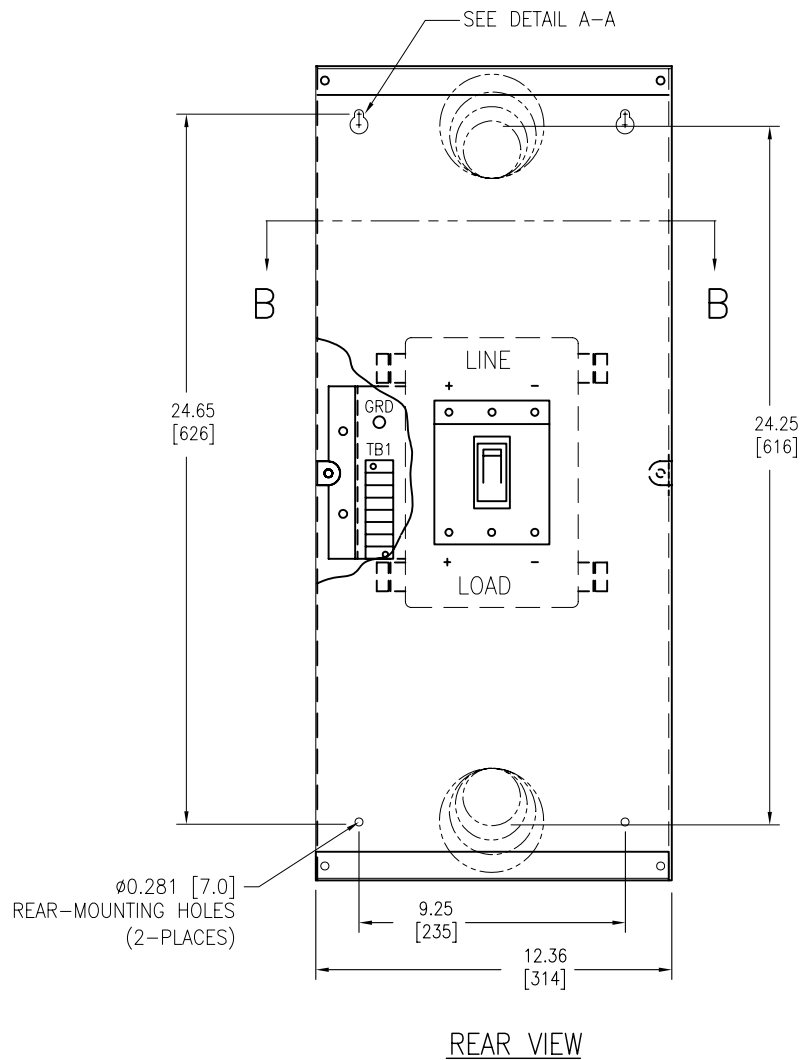
THIS DRAWING AND SPECIFICATIONS HEREIN ARE THE PROPERTY OF SCHNEIDER ELECTRIC AND SHALL NOT BE COPIED, REPRODUCED OR USED IN WHOLE OR IN PART, AS THE BASIS FOR THE MANUFACTURE OR SALE OF ITEMS WITHOUT WRITTEN PERMISSION FROM SCHNEIDER ELECTRIC. THIS DRAWING IS BASED UPON LATEST AVAILABLE INFORMATION AND IS SUBJECT TO CHANGE WITHOUT NOTICE.



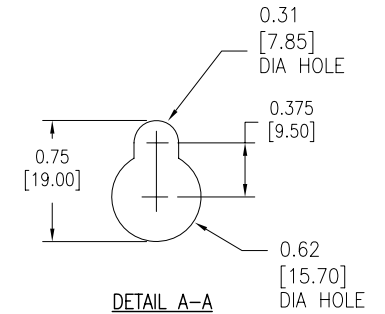
TITLE:
GALAXY 5000, 40/50/60/80 KVA
INSTALLATION DRAWING
BATTERY DISCONNECT CABINET, 175A/250A
MAIN MECHANICAL
PROJECT: SUBMITTAL DRAWINGS | SHEET 1 OF 3

DWG NO: 90-166000-01
DRAWN BY: K.NAGENDRA 25-MAR-10
ENGINEER: I. KENNEDY 28-JAN-09
APPROVED BY: B.SHERIDAN/F.DIOSA 28-JAN-09

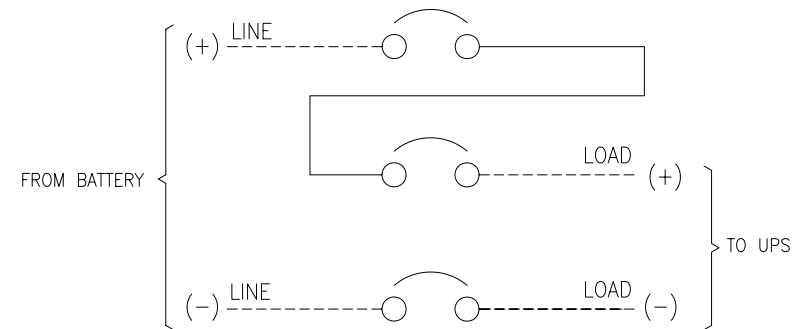
REV. 0
THIRD ANGLE PROJECTION



SECTION B-B



DETAIL A-A
(TYPICAL-2 PLACES
KEYSLOT MOUNTING
HOLES IN REAR PANEL)



SINGLE LINE DIAGRAM

NOTES:

1. INSTALLATION SHALL COMPLY WITH ALL APPLICABLE LOCAL AND NATIONAL CODES.
2. PLEASE REFER TO PRODUCT MANUALS FOR ADDITIONAL DETAILS.
3. ALL DIMENSIONS ARE IN INCHES [MILLIMETERS].

THIS DRAWING AND SPECIFICATIONS HEREIN ARE THE PROPERTY OF SCHNEIDER ELECTRIC AND SHALL NOT BE COPIED, REPRODUCED OR USED IN WHOLE OR IN PART, AS THE BASIS FOR THE MANUFACTURE OR SALE OF ITEMS WITHOUT WRITTEN PERMISSION FROM SCHNEIDER ELECTRIC. THIS DRAWING IS BASED UPON LATEST AVAILABLE INFORMATION AND IS SUBJECT TO CHANGE WITHOUT NOTICE.

Schneider Electric

TITLE:
GALAXY 5000, 40/50/60/80 KVA
INSTALLATION DRAWING
BATTERY DISCONNECT CABINET, 175A/250A
REAR AND SECTIONAL VIEW

PROJECT: SUBMITTAL DRAWINGS | SHEET 2 OF 3

DWG NO: 90-166000-01

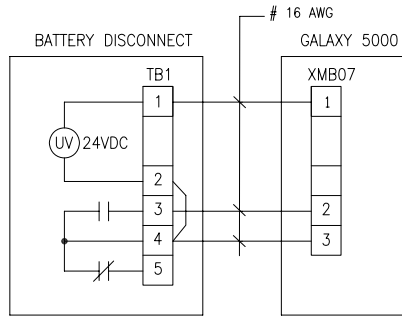
REV: 0

DRAWN BY: K.NAGENDRA 25-MAR-10 ANGLE

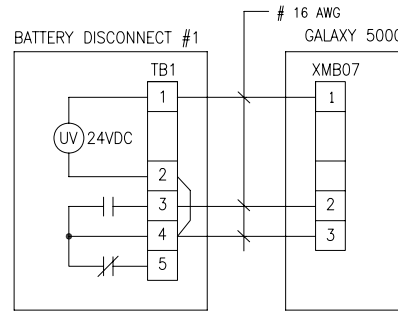
ENGINEER: I. KENNEDY 28-JAN-09 PROJECTION

APPROVED BY: B.SHERIDAN/F.DIOSA 28-JAN-09 N.A

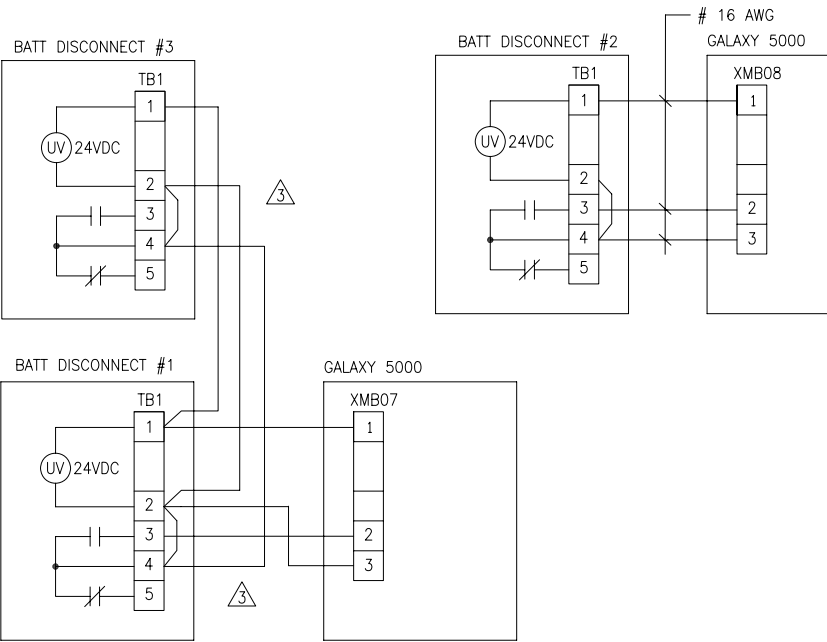
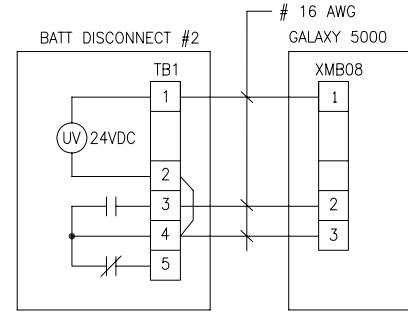
INTERCONNECT DIAGRAM MGE GALAXY 5000, 40/50/60/80 KVA



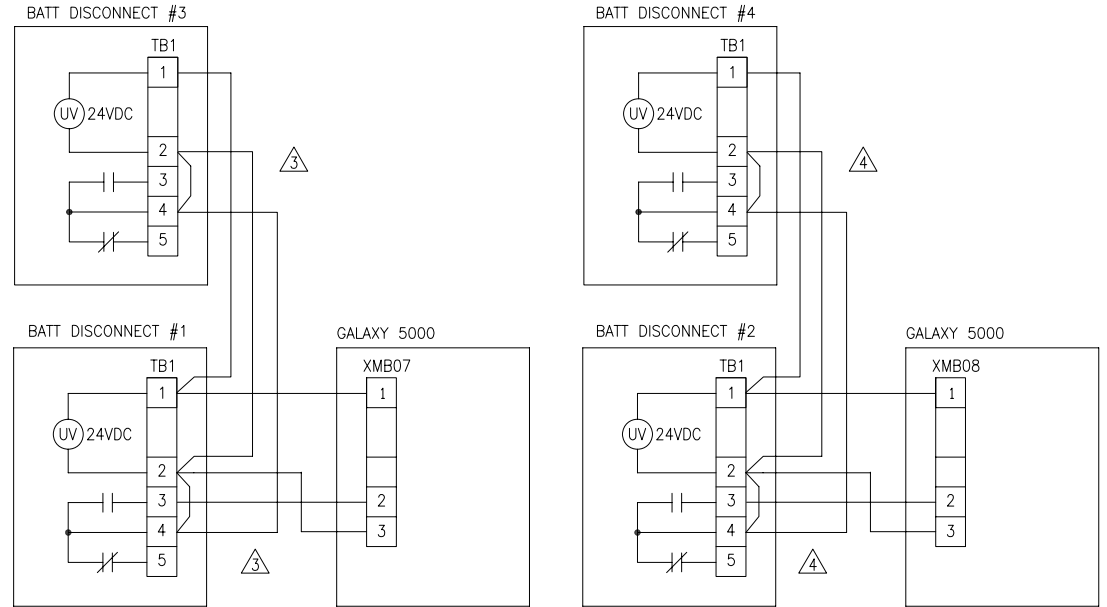
ONE BATTERY CABINET



TWO BATTERY CABINETS



THREE BATTERY CABINETS



FOUR BATTERY CABINETS

NOTES:

1. INSTALLATION SHALL COMPLY WITH ALL APPLICABLE LOCAL AND NATIONAL CODES.
2. PLEASE REFER TO PRODUCT MANUALS FOR ADDITIONAL DETAILS.
- △ 3. WHEN FIELD INSTALLING THREE OR FOUR BATTERY CABINETS:
ON BATTERY CABINET #1, REMOVE JUMPER FROM PINS 2 TO 4.
ON BATTERY CABINET #3, MOVE JUMPER TO PINS 2 AND 3.

- △ 4. WHEN FIELD INSTALLING FOUR BATTERY CABINETS:
ON BATTERY CABINET #2, REMOVE JUMPER FROM PINS 2 TO 4.
ON BATTERY CABINET #4, MOVE JUMPER TO PINS 2 AND 3.

THIS DRAWING AND SPECIFICATIONS HEREIN ARE THE PROPERTY OF SCHNEIDER ELECTRIC AND SHALL NOT BE COPIED, REPRODUCED OR USED IN WHOLE OR IN PART, AS THE BASIS FOR THE MANUFACTURE OR SALE OF ITEMS WITHOUT WRITTEN PERMISSION FROM SCHNEIDER ELECTRIC. THIS DRAWING IS BASED UPON LATEST AVAILABLE INFORMATION AND IS SUBJECT TO CHANGE WITHOUT NOTICE.



TITLE:
GALAXY 5000, 40/50/60/80 KVA
INSTALLATION DRAWING
BATTERY DISCONNECT CABINET, 175A/250A
INTERCONNECT DIAGRAM

PROJECT: SUBMITTAL DRAWINGS | SHEET 3 OF 3

DWG NO:	90-166000-01	REV:	0
DRAWN BY:	K.NAGENDRA	25-MAR-10	ANGLE
ENGINEER:	I. KENNEDY	28-JAN-09	PROJECTION
APPROVED BY:	B.SHERIDAN/F.DIOSA	28-JAN-09	N.A