

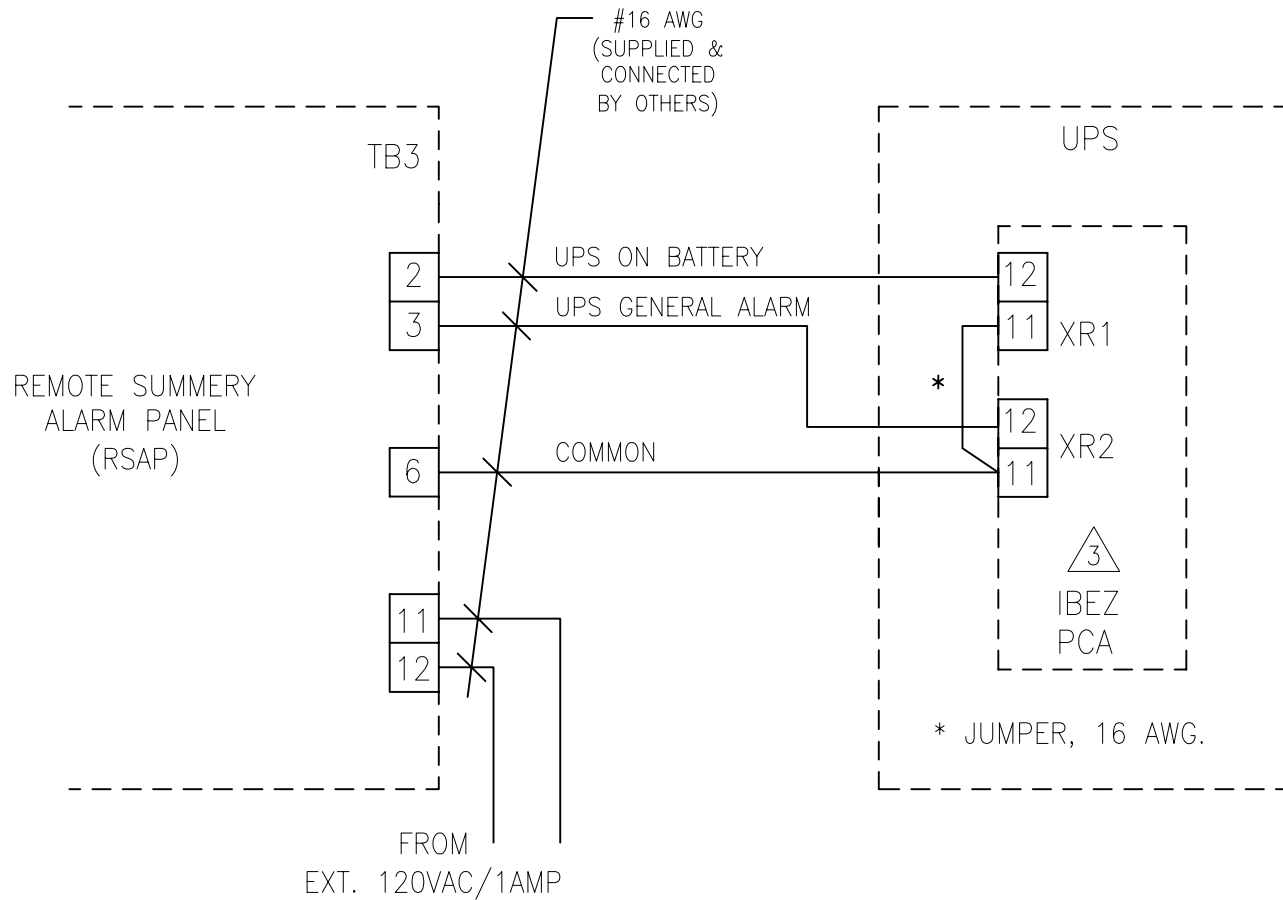
NOTES:

1. INSTALLATION SHALL COMPLY WITH ALL APPLICABLE LOCAL AND NATIONAL CODES.
2. PLEASE REFER TO PRODUCT MANUALS FOR ADDITIONAL DETAILS.
3. ALL DIMENSIONS ARE IN INCHES [MILLIMETERS].
4. TOTAL WEIGHT OF UNIT IS 20 LBS [9.0 KG].
5. UNLESS OTHERWISE SPECIFIED ALL DIMENSIONS ARE TO OUTSIDE EDGE OF THE CABINET, EXCLUDING DOOR LOCK, KEYS AND ALL HARDWARE.
6. COLOR: LIGHT BEIGE.
7. UNLESS OTHERWISE SPECIFIED ALL INTERCONNECTION WIRES TO BE SUPPLIED AND INSTALLED BY THE CUSTOMER.
8. REFERENCE ASSEMBLY NO. 20-120100-00.

THIS DRAWING AND SPECIFICATIONS HEREIN ARE THE PROPERTY OF SCHNEIDER ELECTRIC AND SHALL NOT BE COPIED, REPRODUCED OR USED IN WHOLE OR IN PART, AS THE BASIS FOR THE MANUFACTURE OR SALE OF ITEMS WITHOUT WRITTEN PERMISSION FROM SCHNEIDER ELECTRIC. THIS DRAWING IS BASED UPON LATEST AVAILABLE INFORMATION AND IS SUBJECT TO CHANGE WITHOUT NOTICE.



TITLE: GALAXY 5000 INSTALLATION AND OUTLINE DRAWING REMOTE SUMMARY ALARM PANEL (RSAP) MAIN MECHANICAL		DWG NO: 90-133058-00	REV. 1
PROJECT: SUBMITTAL DRAWINGS		DRAWN BY: M.CRAVEN/K.NAGENDRA	19-SEP-12
SHEET 1 OF 5		ENGINEER: I. KENNEDY	20-MAY-02
		APPROVED BY: B.SHERIDAN/F.DIOSA	20-MAY-02
			THIRD ANGLE PROJECTION



EPS6000, EPS7000, EPS8000 INTERCONNECTION DIAGRAM

NOTES: UNLESS OTHERWISE SPECIFIED.

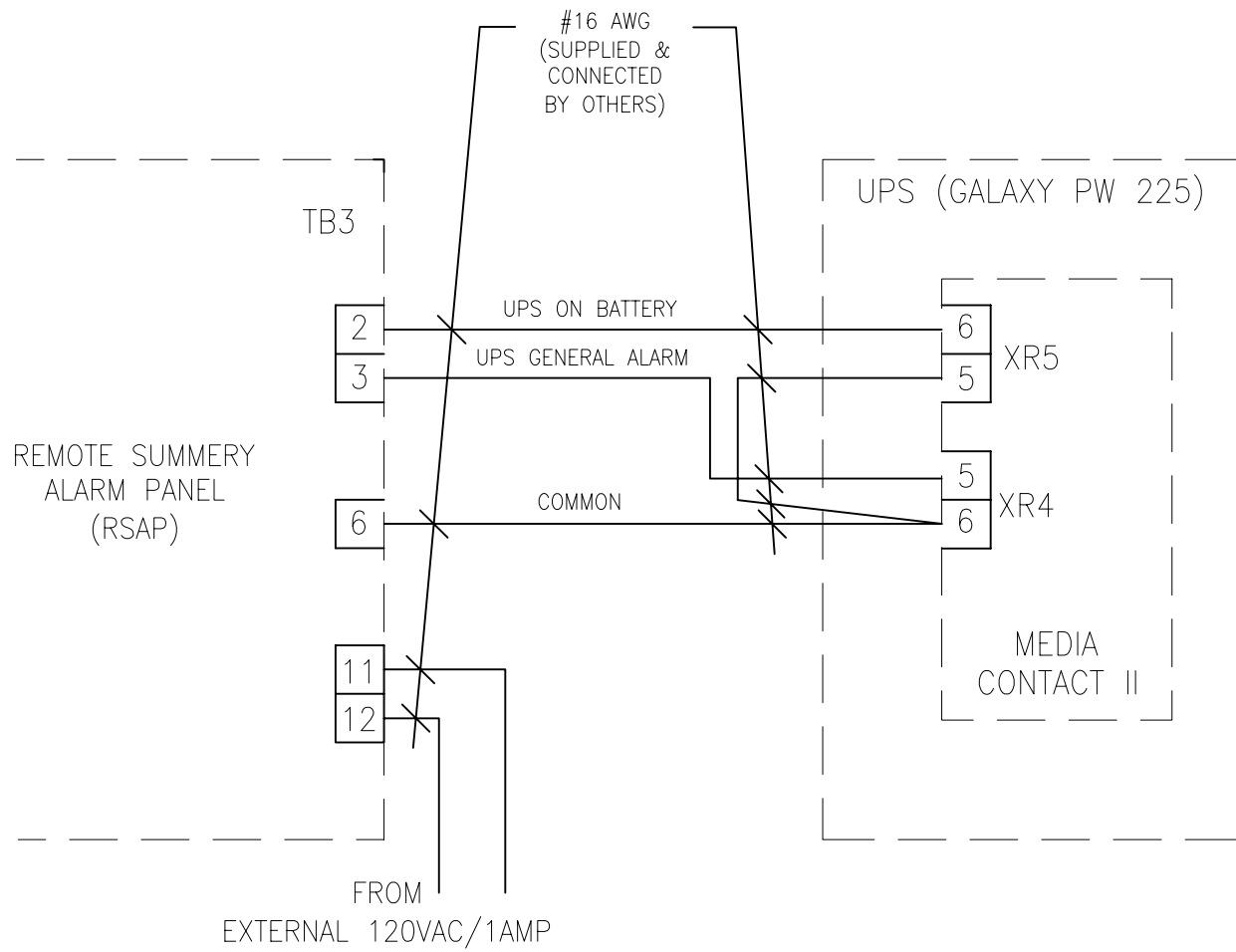
1. INSTALLATION SHALL COMPLY WITH ALL APPLICABLE NATIONAL AND LOCAL CODES.
2. PLEASE REFER TO PRODUCT MANUALS FOR ADDITIONAL DETAILS.
- △ 3. REFER TO UPS INSTALLATION DRAWING FOR LOCATION OF IBEZ PCA.

THIS DRAWING AND SPECIFICATIONS HEREIN ARE THE PROPERTY OF SCHNEIDER ELECTRIC AND SHALL NOT BE COPIED, REPRODUCED OR USED IN WHOLE OR IN PART, AS THE BASIS FOR THE MANUFACTURE OR SALE OF ITEMS WITHOUT WRITTEN PERMISSION FROM SCHNEIDER ELECTRIC. THIS DRAWING IS BASED UPON LATEST AVAILABLE INFORMATION AND IS SUBJECT TO CHANGE WITHOUT NOTICE.



TITLE:
 GALAXY 5000
 INSTALLATION AND OUTLINE DRAWING
 REMOTE SUMMARY ALARM PANEL (RSAP)
 INTERCONNECTION DIAGRAM-1
 PROJECT: SUBMITTAL DRAWINGS | SHEET 2 OF 5

DWG NO:	90-133058-00	REV.	0
DRAWN BY:	K.NAGENDRA	24-MAR-10	ANGLE
ENGINEER:	I. KENNEDY	20-MAY-02	PROJECTION
APPROVED BY:	B.SHERIDAN/F.DIOSA	20-MAY-02	N.A



GALAXY PW225 INTERCONNECTION DIAGRAM

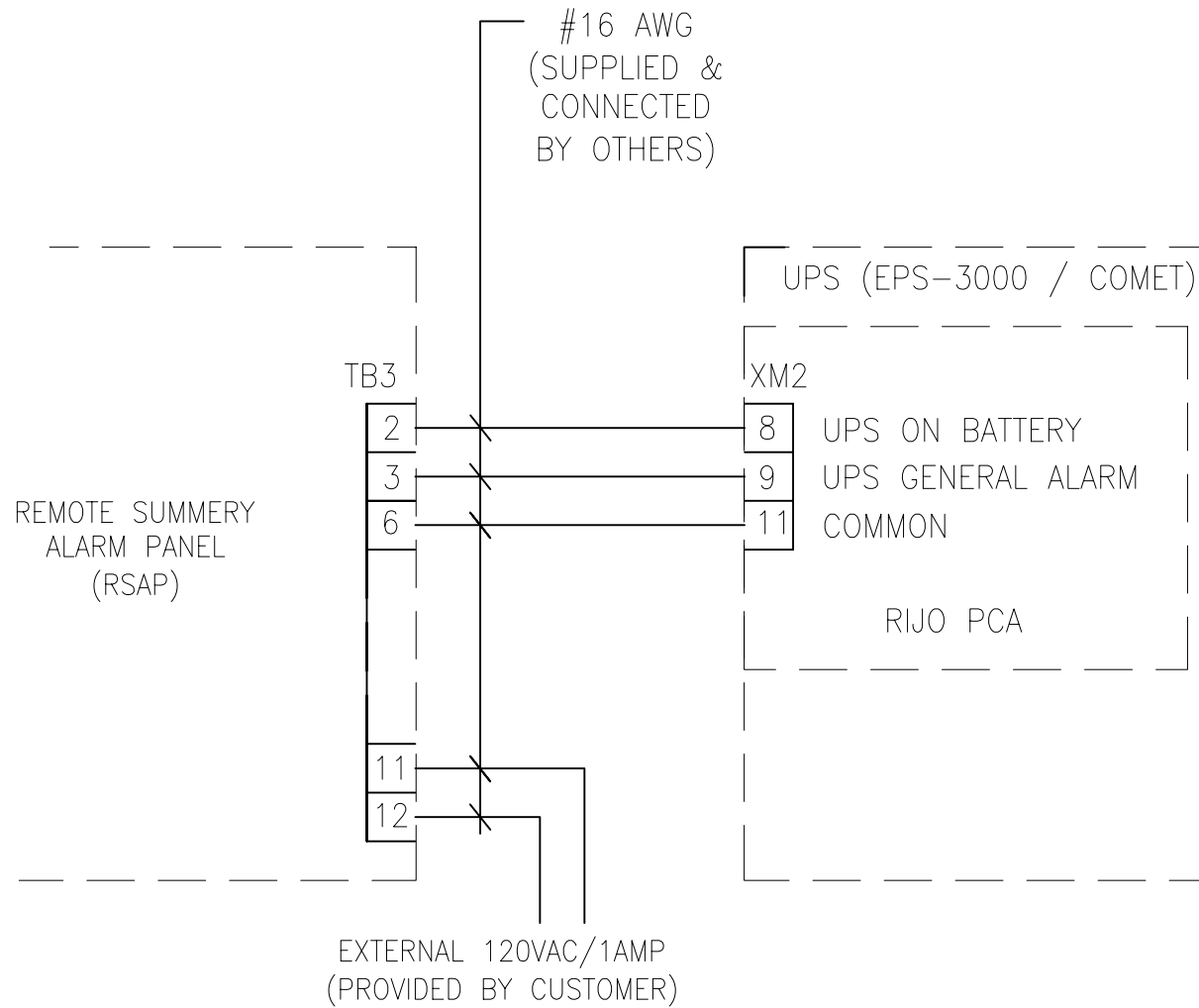
NOTES: UNLESS OTHERWISE SPECIFIED.

1. INSTALLATION SHALL COMPLY WITH ALL APPLICABLE NATIONAL AND LOCAL CODES.
2. PLEASE REFER TO PRODUCT MANUALS FOR ADDITIONAL DETAILS.
3. REFER TO UPS INSTALLATION DRAWING FOR LOCATION OF PCA.

THIS DRAWING AND SPECIFICATIONS HEREIN ARE THE PROPERTY OF SCHNEIDER ELECTRIC AND SHALL NOT BE COPIED, REPRODUCED OR USED IN WHOLE OR IN PART, AS THE BASIS FOR THE MANUFACTURE OR SALE OF ITEMS WITHOUT WRITTEN PERMISSION FROM SCHNEIDER ELECTRIC. THIS DRAWING IS BASED UPON LATEST AVAILABLE INFORMATION AND IS SUBJECT TO CHANGE WITHOUT NOTICE.



TITLE:		DWG NO:	REV.
GALAXY 5000 INSTALLATION AND OUTLINE DRAWING REMOTE SUMMARY ALARM PANEL (RSAP) INTERCONNECTION DIAGRAM-2		90-133058-00	0
PROJECT: SUBMITTAL DRAWINGS		DRAWN BY:	ANGLE
SHEET 3 OF 5		K.NAGENDRA 24-MAR-10	PROJECTION
APPROVED BY: B.SHERIDAN/F.DIOSA		ENGINEER:	N.A
		I. KENNEDY 20-MAY-02	
		20-MAY-02	



EPS-3000/COMET INTERCONNECTION DIAGRAM

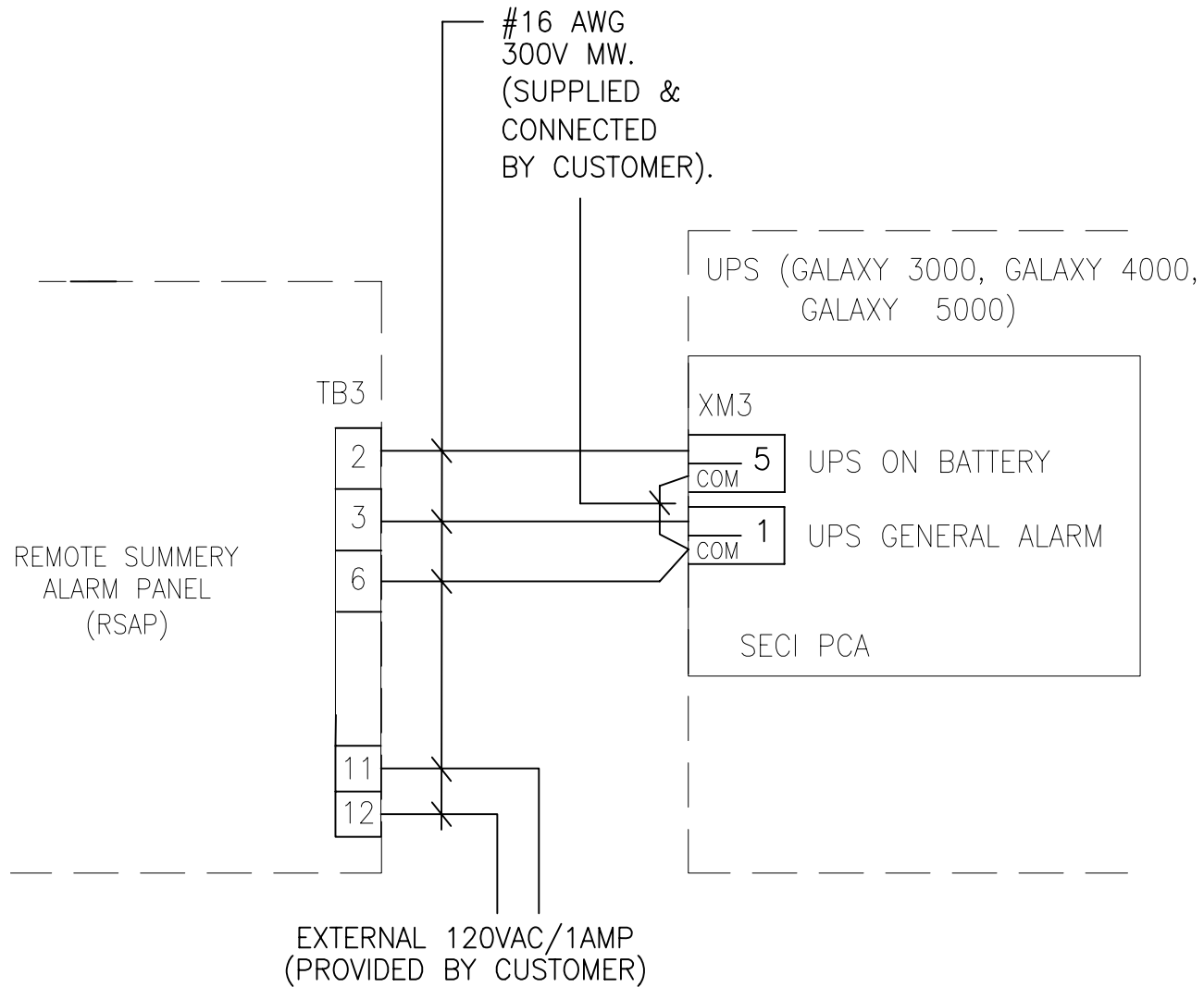
NOTES: UNLESS OTHERWISE SPECIFIED.

1. INSTALLATION SHALL COMPLY WITH ALL APPLICABLE NATIONAL AND LOCAL CODES.
2. PLEASE REFER TO PRODUCT MANUALS FOR ADDITIONAL DETAILS.
3. WHEN USING A SECOND REMOTE PANEL (RSAP), USE SAME WIRING AS SHOWN ON INTERCONNECT DIAGRAM.

THIS DRAWING AND SPECIFICATIONS HEREIN ARE THE PROPERTY OF SCHNEIDER ELECTRIC AND SHALL NOT BE COPIED, REPRODUCED OR USED IN WHOLE OR IN PART, AS THE BASIS FOR THE MANUFACTURE OR SALE OF ITEMS WITHOUT WRITTEN PERMISSION FROM SCHNEIDER ELECTRIC. THIS DRAWING IS BASED UPON LATEST AVAILABLE INFORMATION AND IS SUBJECT TO CHANGE WITHOUT NOTICE.



TITLE:		DWG NO:	REV.
GALAXY 5000 INSTALLATION AND OUTLINE DRAWING REMOTE SUMMARY ALARM PANEL (RSAP) INTERCONNECTION DIAGRAM-3		90-133058-00	0
PROJECT: SUBMITTAL DRAWINGS		DRAWN BY:	ANGLE
SHEET 4 OF 5		ENGINEER:	PROJECTION
APPROVED BY: B.SHERIDAN/F.DIOSA		24-MAR-10	N.A.
		20-MAY-02	
		20-MAY-02	



GALAXY 3000, GALAXY 4000, GALAXY 5000 INTERCONNECTION DIAGRAM

NOTES: UNLESS OTHERWISE SPECIFIED.

1. INSTALLATION SHALL COMPLY WITH ALL APPLICABLE NATIONAL AND LOCAL CODES.
2. PLEASE REFER TO PRODUCT MANUALS FOR ADDITIONAL DETAILS.
3. WHEN USING A SECOND REMOTE PANEL (RSAP), USE SAME WIRING AS SHOWN ON INTERCONNECT DIAGRAM.

THIS DRAWING AND SPECIFICATIONS HEREIN ARE THE PROPERTY OF SCHNEIDER ELECTRIC AND SHALL NOT BE COPIED, REPRODUCED OR USED IN WHOLE OR IN PART, AS THE BASIS FOR THE MANUFACTURE OR SALE OF ITEMS WITHOUT WRITTEN PERMISSION FROM SCHNEIDER ELECTRIC. THIS DRAWING IS BASED UPON LATEST AVAILABLE INFORMATION AND IS SUBJECT TO CHANGE WITHOUT NOTICE.



TITLE:
GALAXY 5000
INSTALLATION AND OUTLINE DRAWING
REMOTE SUMMARY ALARM PANEL (RSAP)
INTERCONNECTION DIAGRAM-4

PROJECT: SUBMITTAL DRAWINGS | SHEET 5 OF 5

DWG NO:	90-133058-00	REV.	0
DRAWN BY:	K.NAGENDRA	24-MAR-10	ANGLE
ENGINEER:	I. KENNEDY	20-MAY-02	PROJECTION
APPROVED BY:	B.SHERIDAN/F.DIOSA	20-MAY-02	N.A