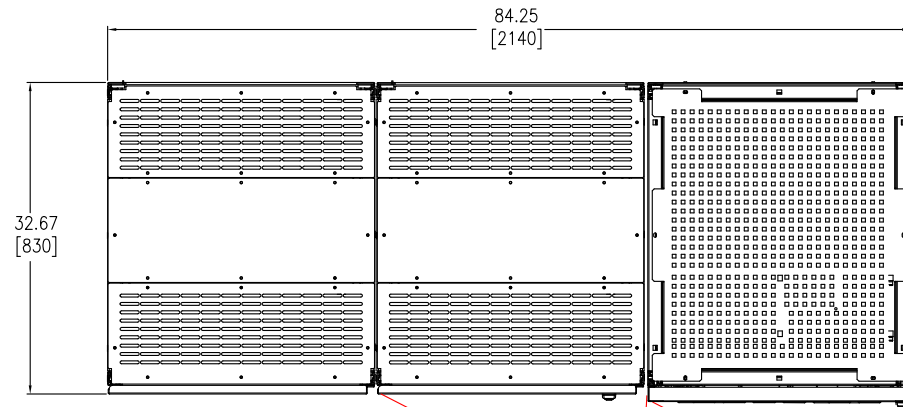
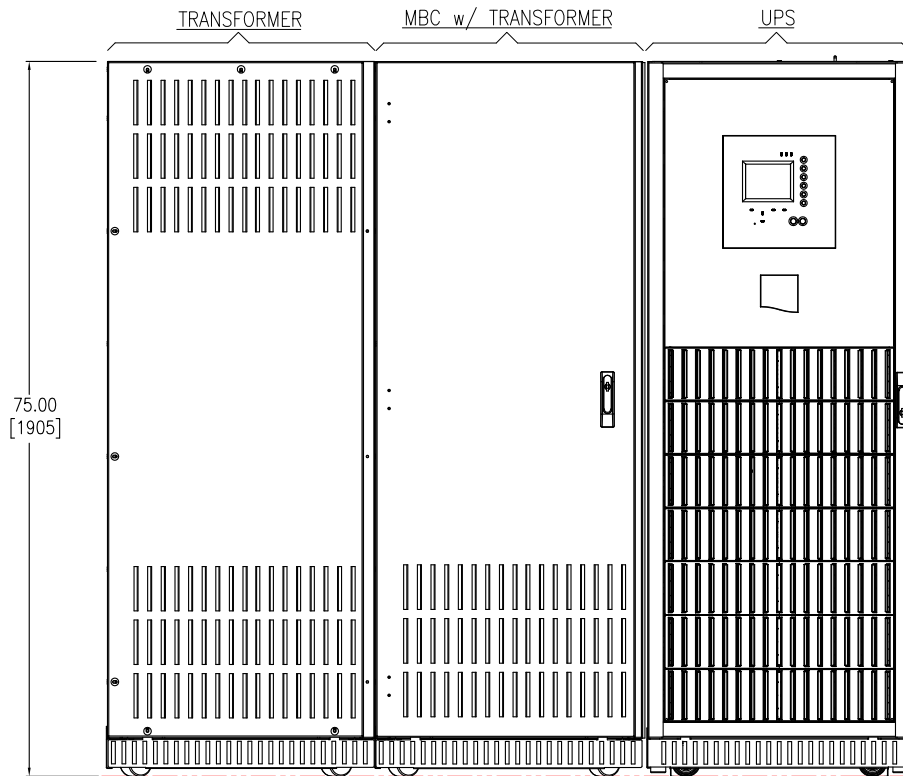


NOTES: UNLESS OTHERWISE SPECIFIED

1. INSTALLATION SHALL COMPLY WITH ALL APPLICABLE NATIONAL, STATE AND LOCAL CODES.
2. PLEASE REFER TO PRODUCT MANUALS FOR ADDITIONAL DETAILS.
3. UNLESS OTHERWISE SPECIFIED, ALL DIMENSIONS ARE IN INCHES [MILLIMETERS].
4. ALL DIMENSIONS ARE TO THE OUTSIDE EDGE OF CABINET, EXCLUDING DOOR LOCKS AND ALL HARDWARE.
5. REFER TO EACH INDIVIDUAL CABINET INSTALLATION DRAWING INDICATED BELOW:
  1. 90-174700-00 - UPS
  2. 90-174704-00 - MBC w/ TRANSFORMER
  3. 90-174704-01 - MBC w/ TRANSFORMER
  4. 90-174707-00 - TRANSFORMER (INPUT & BYPASS).
6. REFER TO SINGLE-LINE DIAGRAM, 90-174750-SD, FOR SINGLE/DUAL INPUT DETAILS.
7. OPTIONAL, UP TO FOUR (4) BATTERY CABINETS MAY BE INSTALLED ADJACENT OR REMOTELY. INFORMATION FOR NON-SEISMIC AND SEISMIC BATTERY CABINETS IS PROVIDED IN SEPARATE DRAWINGS.
8. CABINETS ARE ATTACHED TOGETHER USING BRACKETS.
9. FOR TOP FAN EXHAUST, ALLOW MINIMUM TWO FEET CLEARANCE.
10. POWER CABLES SHALL BE IN SEPARATE CONDUITS FROM CONTROL AND COMMUNICATION CABLES. ALL CABLE CONNECTIONS ARE BASED ON CUSTOMER SUPPLIED COPPER WIRE RATED 75°C.



TOP VIEW



FRONT VIEW

THIS DRAWING AND SPECIFICATIONS HEREIN ARE THE PROPERTY OF SCHNEIDER ELECTRIC AND SHALL NOT BE COPIED, REPRODUCED OR USED IN WHOLE OR IN PART, AS THE BASIS FOR THE MANUFACTURE OR SALE OF ITEMS WITHOUT WRITTEN PERMISSION FROM SCHNEIDER ELECTRIC. THIS DRAWING IS BASED UPON LATEST AVAILABLE INFORMATION AND IS SUBJECT TO CHANGE WITHOUT NOTICE.



TITLE:  
GALAXY 5000  
SYSTEM INSTALLATION  
UPS, MBC w/ XFMR, INPUT XFMR  
GENERAL ARRANGEMENT

PROJECT: SUBMITTAL DRAWINGS SHEET 1 OF 4

DWG NO: 90-174750

DRAWN BY: S CUNHA 23-OCT-13

ENGINEER: S DAS/U BHAVILAI 23-OCT-13

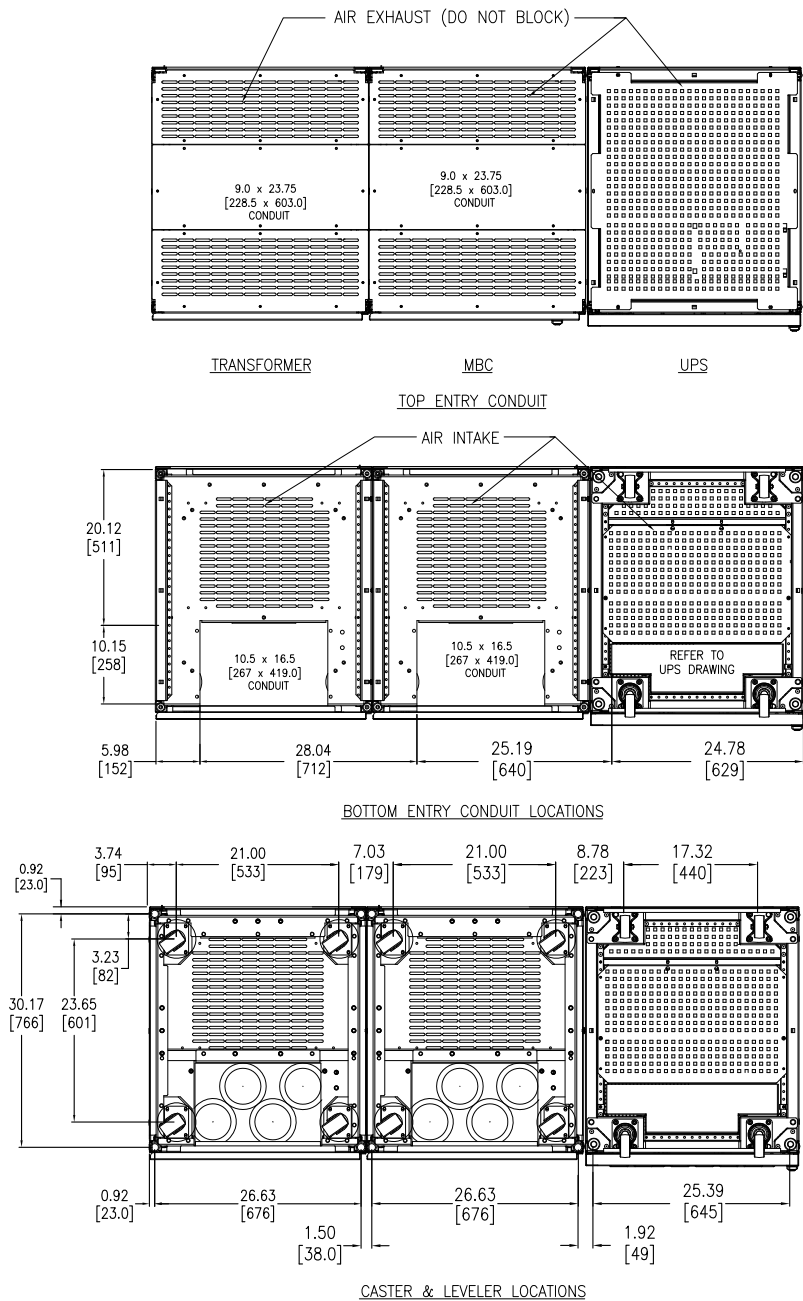
APPROVED BY: J GOOSSEFF 23-OCT-13

REV. 3

THIRD

ANGLE

PROJECTION



NOTES: UNLESS OTHERWISE SPECIFIED

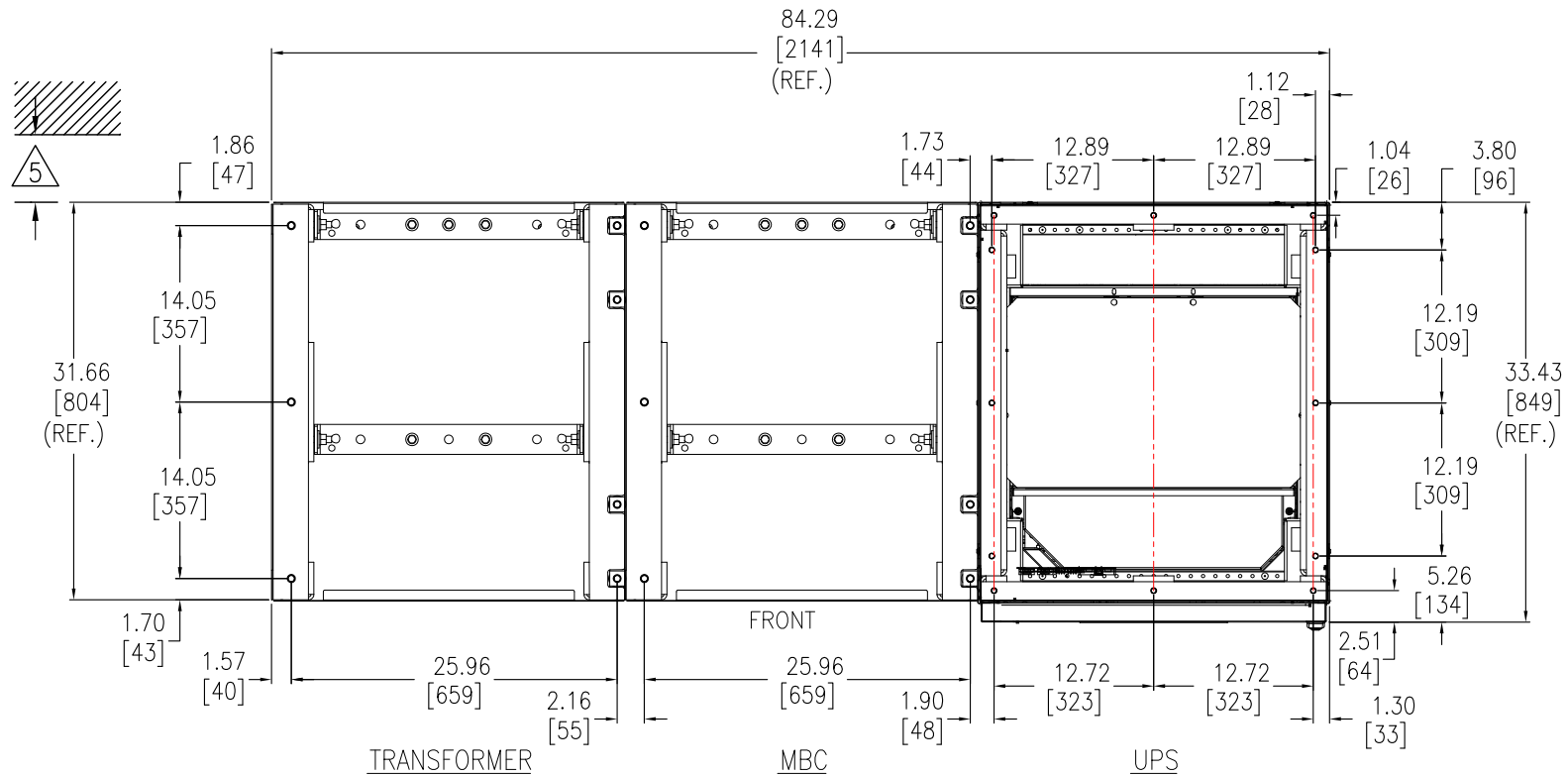
1. INSTALLATION SHALL COMPLY WITH ALL APPLICABLE NATIONAL AND LOCAL CODES.
2. PLEASE REFER TO PRODUCT MANUALS FOR ADDITIONAL DETAILS.
3. UNLESS OTHERWISE SPECIFIED, ALL DIMENSIONS ARE IN INCHES [MILLIMETERS].
4. ALL DIMENSIONS ARE TO THE OUTSIDE EDGE OF CABINET, EXCLUDING DOOR LOCKS AND ALL HARDWARE.

THIS DRAWING AND SPECIFICATIONS HEREIN ARE THE PROPERTY OF SCHNEIDER ELECTRIC AND SHALL NOT BE COPIED, REPRODUCED OR USED IN WHOLE OR IN PART, AS THE BASIS FOR THE MANUFACTURE OR SALE OF ITEMS WITHOUT WRITTEN PERMISSION FROM SCHNEIDER ELECTRIC. THIS DRAWING IS BASED UPON LATEST AVAILABLE INFORMATION AND IS SUBJECT TO CHANGE WITHOUT NOTICE.



TITLE:		DWG NO:		REV.
GALAXY 5000 SYSTEM INSTALLATION UPS, MBC w/ XFMR, INPUT XFMR TOP & BOTTOM VIEWS		90-174750		1
PROJECT: SUBMITTAL DRAWINGS		DRAWN BY: K NAGENDRA/S CUNHA		23-OCT-13
SHEET 2 OF 4		ENGINEER: I KENNEDY/S DAS		23-OCT-13
		APPROVED BY: J GOOSSEFF		23-OCT-13
				THIRD ANGLE PROJECTION

NON-SEISMIC INSTALLATION ONLY



SEISMIC ANCHORING

NOTES: UNLESS OTHERWISE SPECIFIED

1. INSTALLATION SHALL COMPLY WITH ALL APPLICABLE NATIONAL AND LOCAL CODES.
2. PLEASE REFER TO PRODUCT MANUALS FOR ADDITIONAL DETAILS.
3. UNLESS OTHERWISE SPECIFIED, ALL DIMENSIONS ARE IN INCHES [MILLIMETERS].
4. ALL DIMENSIONS ARE TO THE OUTSIDE EDGE OF CABINET, EXCLUDING DOOR LOCKS AND ALL HARDWARE.
- Δ 5. 4" [101.6 MM] MINIMUM CLEARANCE FROM THE REAR PANEL OF UNIT TO THE WALL. ADDITIONAL CLEARANCE (BY CUSTOMER) DEPENDENT OF FLOOR ANCHORING HARDWARE SPECIFICATIONS.
6. DUE TO ITS SKID DESIGN, THE UPS HAS TO BE INSTALLED FIRST. ONLY AUXILIARY CABINET HAS THE USE OF A STRAP TO BE LATERALLY SLID INTO POSITION.
7. FLOOR ANCHORING HARDWARE IS NOT PROVIDED.  
MINIMUM REQUIREMENT FOR UPS 3/8" 5 GRADE HARDWARE,  
MINIMUM REQUIREMENT FOR OTHER CABINETS 1/2" 5 GRADE HARDWARE.
8. SEISMIC QUALIFICATION OF NON-STRUCTURAL COMPONENT BY SCHNEIDER ELECTRIC IS JUST ONE LINK IN THE TOTAL CHAIN OF RESPONSIBILITY REQUIRED TO MAXIMIZE THE PROBABILITY THAT THE EQUIPMENT WILL BE INTACT AND FUNCTIONAL AFTER A SEISMIC EVENT. DURING A SEISMIC EVENT THE EQUIPMENT MUST BE ABLE TO TRANSFER THE LOADS THAT ARE CREATED THROUGH THE MOUNTING AND ANCHORAGE TO THE LOAD-BEARING PATH OF THE BUILDING STRUCTURAL SYSTEM. ANCHORAGE OF THE EQUIPMENT TO THE PRIMARY BUILDING STRUCTURE IS REQUIRED TO VALIDATE THE SEISMIC CERTIFICATION. THE STRUCTURAL ENGINEER OR DESIGN ENGINEER OF RECORD IS RESPONSIBLE FOR DETAILING THE EQUIPMENT ANCHORAGE REQUIREMENTS FOR THE GIVEN INSTALLATION. THE INSTALLER AND MANUFACTURERS OF THE ANCHORAGE SYSTEM ARE RESPONSIBLE FOR ASSURING THAT THE MOUNTING REQUIREMENTS ARE MET. SCHNEIDER ELECTRIC IS NOT RESPONSIBLE FOR THE SPECIFICATION AND PERFORMANCE OF THE ANCHORAGE SYSTEMS.

REFERENCE P/N		
DESCRIPTION	KIT NUMBER	QTY.
UPS	OH-0736	1
MBC	OH-0735	1
TRANSFORMER	OH-0735	1

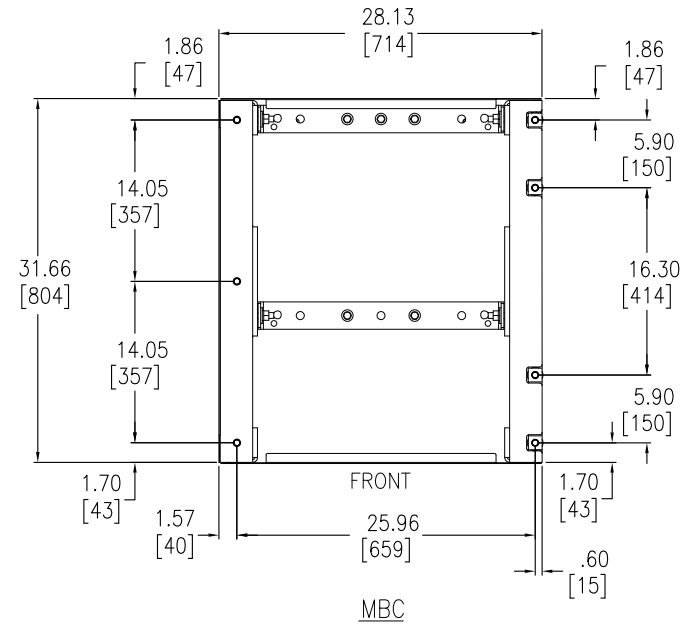
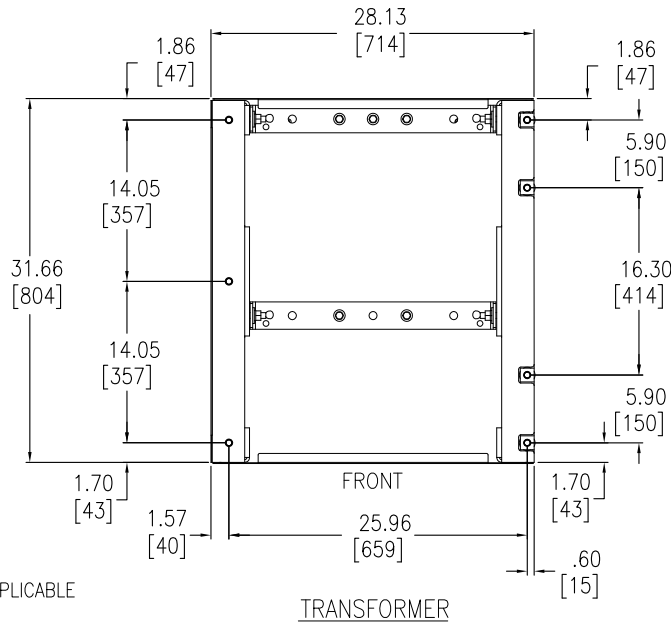
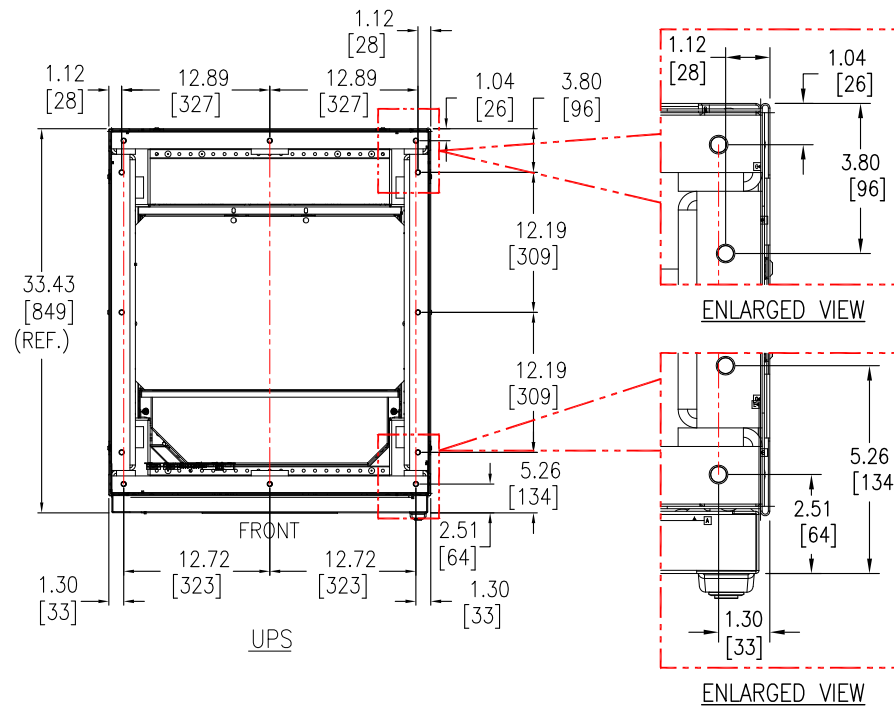
**SEISMIC INSTALLATION ONLY**

THIS DRAWING AND SPECIFICATIONS HEREIN ARE THE PROPERTY OF SCHNEIDER ELECTRIC AND SHALL NOT BE COPIED, REPRODUCED OR USED IN WHOLE OR IN PART, AS THE BASIS FOR THE MANUFACTURE OR SALE OF ITEMS WITHOUT WRITTEN PERMISSION FROM SCHNEIDER ELECTRIC. THIS DRAWING IS BASED UPON LATEST AVAILABLE INFORMATION AND IS SUBJECT TO CHANGE WITHOUT NOTICE.



TITLE:  
GALAXY 5000  
SYSTEM INSTALLATION  
UPS, MBC w/ XFMR, INPUT XFMR  
SEISMIC ANCHORING CONFIGURATION  
PROJECT: SUBMITTAL DRAWINGS SHEET 3 OF 4

DWG NO:	90-174750	REV.	0
DRAWN BY:	S CUNHA	23-OCT-13	THIRD
ENGINEER:	C PARENTI	23-OCT-13	ANGLE
APPROVED BY:	S DAS/J GOOSSEFF	23-OCT-13	PROJECTION



NOTES: UNLESS OTHERWISE SPECIFIED

1. INSTALLATION SHALL COMPLY WITH ALL APPLICABLE NATIONAL AND LOCAL CODES.
2. PLEASE REFER TO PRODUCT MANUALS FOR ADDITIONAL DETAILS.
3. UNLESS OTHERWISE SPECIFIED, ALL DIMENSIONS ARE IN INCHES [MILLIMETERS].
4. ALL DIMENSIONS ARE TO THE OUTSIDE EDGE OF CABINET, EXCLUDING DOOR LOCKS AND ALL HARDWARE.

THIS DRAWING AND SPECIFICATIONS HEREIN ARE THE PROPERTY OF SCHNEIDER ELECTRIC AND SHALL NOT BE COPIED, REPRODUCED OR USED IN WHOLE OR IN PART, AS THE BASIS FOR THE MANUFACTURE OR SALE OF ITEMS WITHOUT WRITTEN PERMISSION FROM SCHNEIDER ELECTRIC. THIS DRAWING IS BASED UPON LATEST AVAILABLE INFORMATION AND IS SUBJECT TO CHANGE WITHOUT NOTICE.



TITLE:  
 GALAXY 5000  
 SYSTEM INSTALLATION  
 UPS, MBC w/ XFMR, INPUT XFMR  
 SEISMIC ANCHORING DETAILS  
 PROJECT: SUBMITTAL DRAWINGS SHEET 4 OF 4

DWG NO: 90-174750 REV. 0  
 DRAWN BY: S CUNHA 23-OCT-13 THIRD  
 ENGINEER: C PARENTI 23-OCT-13 ANGLE  
 APPROVED BY: S DAS/J GOOSSEFF 23-OCT-13 PROJECTION

SEISMIC INSTALLATION ONLY