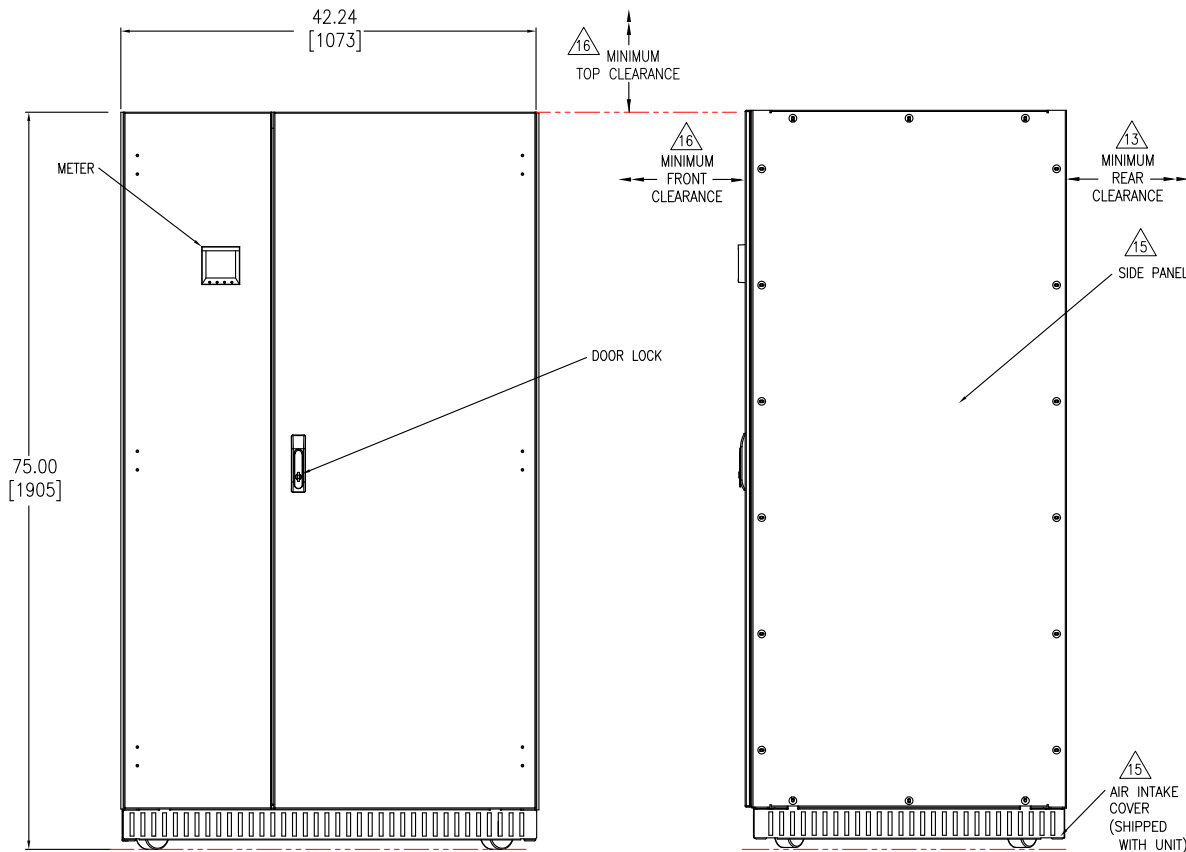


TOP VIEW



FRONT VIEW

LEFT SIDE VIEW

NOTES:

1. INSTALLATION SHALL COMPLY WITH ALL APPLICABLE LOCAL AND NATIONAL CODES.
2. PLEASE REFER TO PRODUCT MANUALS FOR ADDITIONAL DETAILS.
3. ALL DIMENSIONS ARE IN INCHES [MILLIMETERS].
4. TOTAL WEIGHT OF UNIT IS:

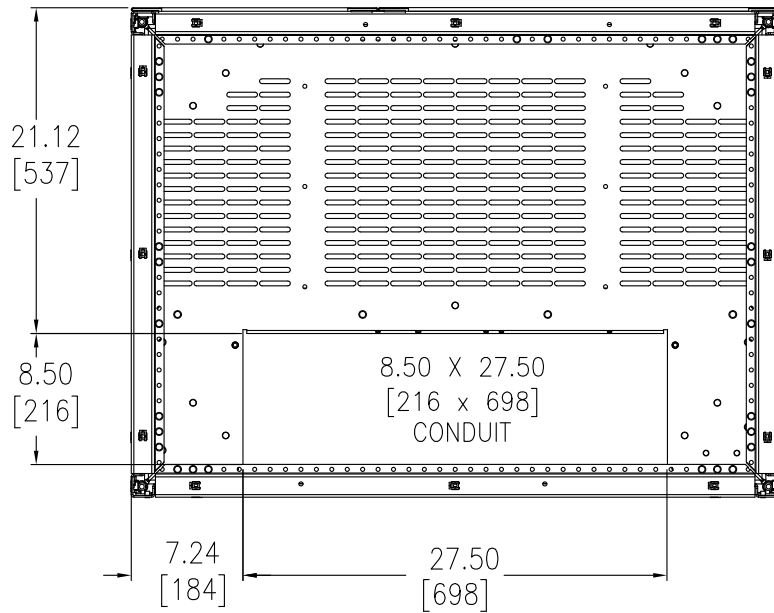
MODEL NUMBER	RATING	WEIGHT
72-174071-2X	160kVA	560 LBS [255.0 kg]
72-174072-2X	320kVA	580 LBS [264.0 kg]
72-174073-2X	520kVA	600 LBS [273.0 kg]

5. CABLE ENTRY IS FROM TOP/BOTTOM OF THE UNIT.
6. ALL DIMENSIONS ARE TO OUTSIDE EDGE OF THE CABINET, EXCLUDING DOOR LOCK AND ALL HARDWARE.
7. COLOR: SILVER METALLIC, DARK GRAY.
8. A TORX (T-30) TYPE SCREWDRIVER IS REQUIRED TO REMOVE PANELS.
9. OPERATING TEMPERATURE: 32°F (0°C) MIN. TO 104°F (40°C) MAX. RECOMMENDED OPERATING RANGE: 60°F (15°C) TO 77°F (25°C). REFER TO DOCUMENT NO. 9-00038-00 FOR CABLE PREPARATION PROCEDURE FOR FIELD WIRING.
11. ALL EXTERNAL WIRING SUPPLIED AND CONNECTED BY CUSTOMER. (STAND ALONE MODELS ONLY). FOLLOW ALL APPLICABLE NEC AND LOCAL ELECTRICAL CODES.
12. POWER CABLES SHALL BE IN SEPARATE CONDUITS FROM CONTROL AND COMMUNICATION CABLES. ALL CABLE CONNECTIONS ARE BASED ON CUSTOMER SUPPLIED COPPER WIRE RATED 75°C.
- △13. PROVIDE ADEQUATE REAR/SIDE CLEARANCE FOR SEISMIC BRACKET INSTALLATION, IF APPLICABLE.
14. FOR SEISMIC INSTALLATION UNIT IS SHIPPED WITH CASTERS REMOVED AND SEISMIC BRACKETS ATTACHED.
- △15. FOR ADJACENT UNIT: CABINET SHIPPED WITHOUT SIDE PANELS AND SIDE AIR INTAKE COVERS. USE SIDE PANEL AND AIR INTAKE COVER FROM UPS WHEN END CABINET IN SYSTEM LINE-UP.
- △16. RECOMMENDED CLEARANCE IS SUBJECT TO NATIONAL AND LOCAL CODES:  
36.0 [914] RECOMMENDED FRONT CLEARANCE.  
24.0 [610] RECOMMENDED TOP CLEARANCE FOR VENTILATION.

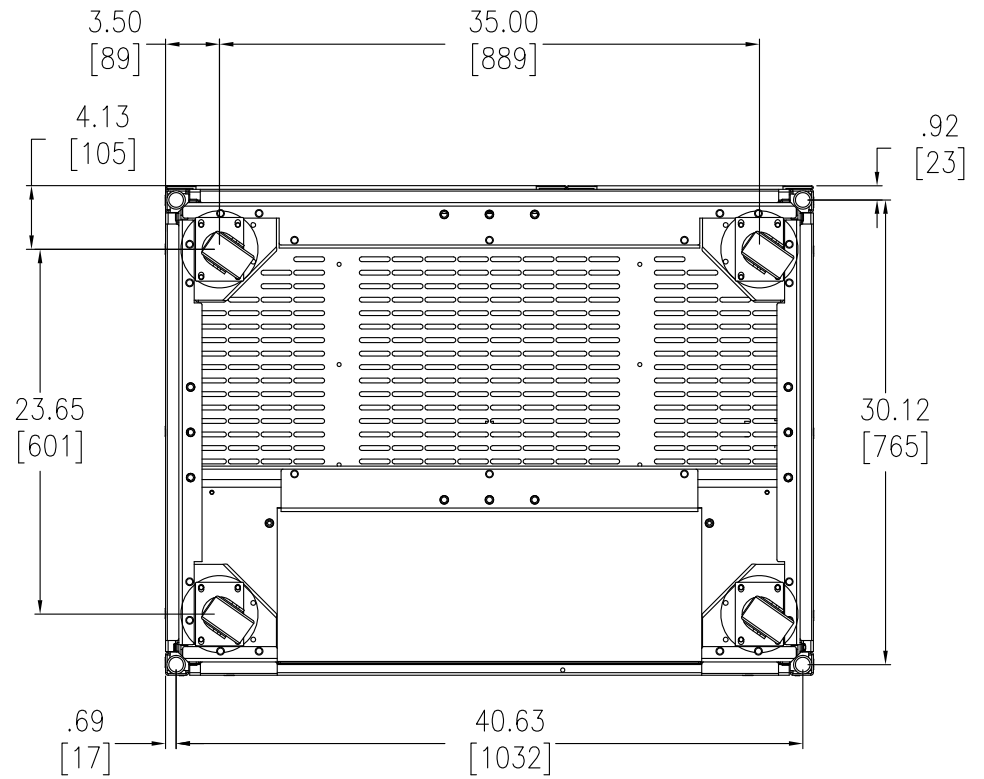
THIS DRAWING AND SPECIFICATIONS HEREIN ARE THE PROPERTY OF SCHNEIDER ELECTRIC AND SHALL NOT BE COPIED, REPRODUCED OR USED IN WHOLE OR IN PART, AS THE BASIS FOR THE MANUFACTURE OR SALE OF ITEMS WITHOUT WRITTEN PERMISSION FROM SCHNEIDER ELECTRIC. THIS DRAWING IS BASED UPON LATEST AVAILABLE INFORMATION AND IS SUBJECT TO CHANGE WITHOUT NOTICE.



TITLE: GALAXY 5000 INSTALLATION DRAWINGS SBC, 6 Modules, 160/320/520 kVA, 480V MAIN MECHANICAL		DWG NO: 90-174706-00	REV. 3
PROJECT: SUBMITTAL DRAWINGS	SHEET 1 OF 5	APPROVED BY: J GOOSSEFF	06-NOV-13 06-NOV-13 06-NOV-13
		DRAWN BY: K NAGENDRA/S CUNHA	THIRD
		ENGINEER: S DAS/U BHAVILAI	ANGLE
			PROJECTION



BOTTOM ENTRY CONDUIT LOCATION  
BASE TOP VIEW



CASTER & LEVELER LOCATIONS 5  
BASE TOP VIEW

NOTES: UNLESS OTHERWISE SPECIFIED.

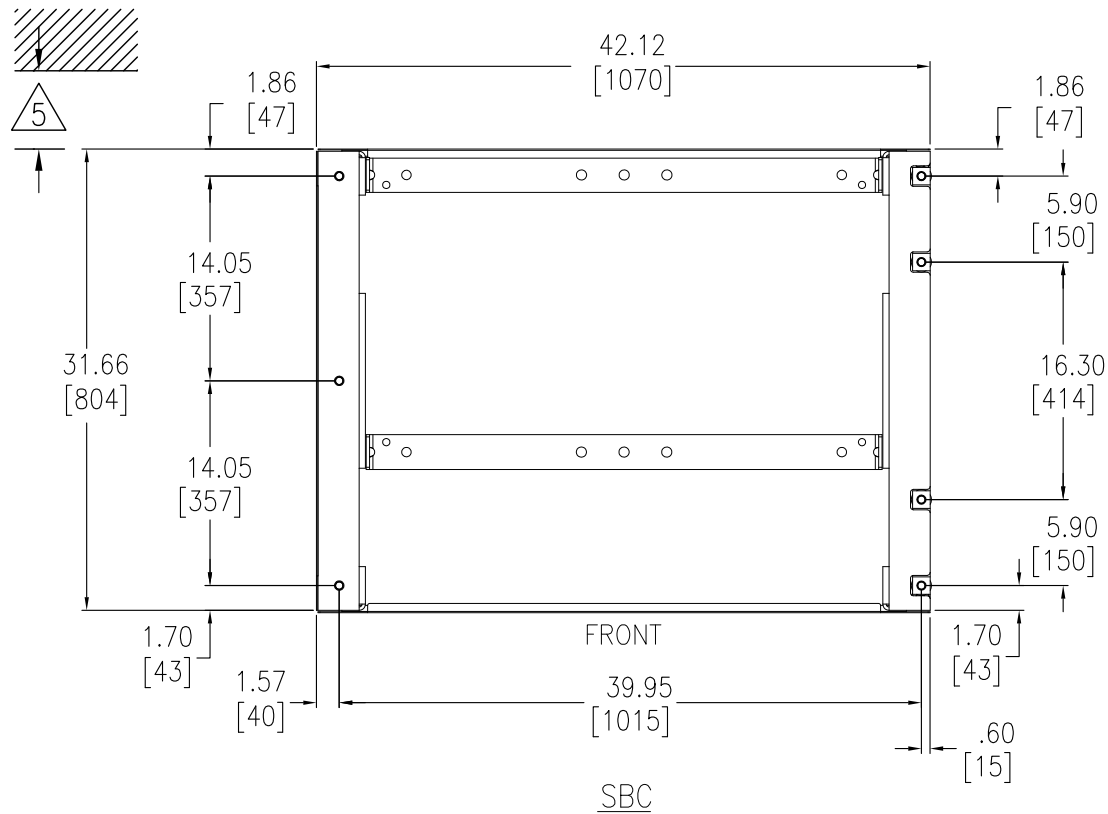
1. INSTALLATION SHALL COMPLY WITH ALL APPLICABLE NATIONAL AND LOCAL CODES.
2. PLEASE REFER TO PRODUCT MANUALS FOR ADDITIONAL DETAILS.
3. ALL DIMENSIONS ARE IN INCHES [MILLIMETERS].
4. DIMENSIONS SHOWN WITHOUT SIDE PANELS {EACH SIDE PANEL 6.0 [0.24]}
- △ 5. FOR SEISMIC INSTALLATION UNIT IS SHIPPED WITH CASTERS REMOVED AND SEISMIC BRACKETS ATTACHED.

THIS DRAWING AND SPECIFICATIONS HEREIN ARE THE PROPERTY OF SCHNEIDER ELECTRIC AND SHALL NOT BE COPIED, REPRODUCED OR USED IN WHOLE OR IN PART, AS THE BASIS FOR THE MANUFACTURE OR SALE OF ITEMS WITHOUT WRITTEN PERMISSION FROM SCHNEIDER ELECTRIC. THIS DRAWING IS BASED UPON LATEST AVAILABLE INFORMATION AND IS SUBJECT TO CHANGE WITHOUT NOTICE.



TITLE:  
GALAXY 5000  
INSTALLATION DRAWINGS  
SBC, 6 Modules, 160/320/520 kVA, 480V  
BOTTOM VIEW & ANCHORING  
PROJECT: SUBMITTAL DRAWINGS SHEET 2 OF 5

DWG NO:	90-174706-00	REV.	1
DRAWN BY:	K NAGENDRA/S CUNHA	06-NOV-13	THIRD
ENGINEER:	I KENNEDY/S DAS	06-NOV-13	ANGLE
APPROVED BY:	J GOOSSEFF	06-NOV-13	PROJECTION



## SEISMIC ANCHORING

NOTES: UNLESS OTHERWISE SPECIFIED

1. INSTALLATION SHALL COMPLY WITH ALL APPLICABLE NATIONAL AND LOCAL CODES.
2. PLEASE REFER TO PRODUCT MANUALS FOR ADDITIONAL DETAILS.
3. UNLESS OTHERWISE SPECIFIED, ALL DIMENSIONS ARE IN INCHES [MILLIMETERS].
4. ALL DIMENSIONS ARE TO THE OUTSIDE EDGE OF CABINET, EXCLUDING DOOR LOCKS AND ALL HARDWARE.
- △ 5. 4" [101.6 MM] MINIMUM CLEARANCE FROM THE REAR PANEL OF UNIT TO THE WALL. ADDITIONAL CLEARANCE (BY CUSTOMER) DEPENDENT OF FLOOR ANCHORING HARDWARE SPECIFICATIONS.
6. FLOOR ANCHORING HARDWARE IS NOT PROVIDED.  
MINIMUM REQUIREMENT FOR MBC CABINET 1/2", 5 GRADE HARDWARE.
7. SEISMIC QUALIFICATION OF NON-STRUCTURAL COMPONENT BY SCHNEIDER ELECTRIC IS JUST ONE LINK IN THE TOTAL CHAIN OF RESPONSIBILITY REQUIRED TO MAXIMIZE THE PROBABILITY THAT THE EQUIPMENT WILL BE INTACT AND FUNCTIONAL AFTER A SEISMIC EVENT. DURING A SEISMIC EVENT THE EQUIPMENT MUST BE ABLE TO TRANSFER THE LOADS THAT ARE CREATED THROUGH THE MOUNTING AND ANCHORAGE TO THE LOAD-BEARING PATH OF THE BUILDING STRUCTURAL SYSTEM. ANCHORAGE OF THE EQUIPMENT TO THE PRIMARY BUILDING STRUCTURE IS REQUIRED TO VALIDATE THE SEISMIC CERTIFICATION. THE STRUCTURAL ENGINEER OR DESIGN ENGINEER OF RECORD IS RESPONSIBLE FOR DETAILING THE EQUIPMENT ANCHORAGE REQUIREMENTS FOR THE GIVEN INSTALLATION. THE INSTALLER AND MANUFACTURERS OF THE ANCHORAGE SYSTEM ARE RESPONSIBLE FOR ASSURING THAT THE MOUNTING REQUIREMENTS ARE MET. SCHNEIDER ELECTRIC IS NOT RESPONSIBLE FOR THE SPECIFICATION AND PERFORMANCE OF THE ANCHORAGE SYSTEMS.

REFERENCE P/N		
DESCRIPTION	KIT NUMBER	QTY.
SBC	OH-0729	1

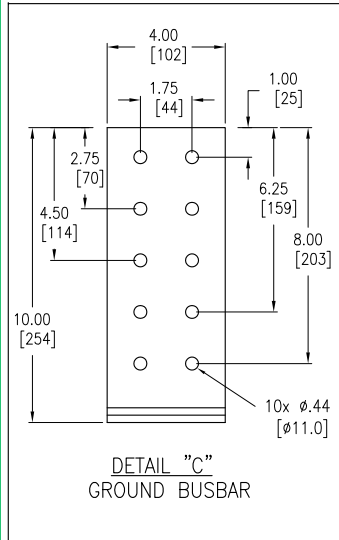
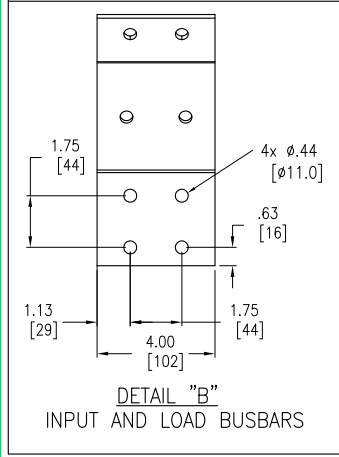
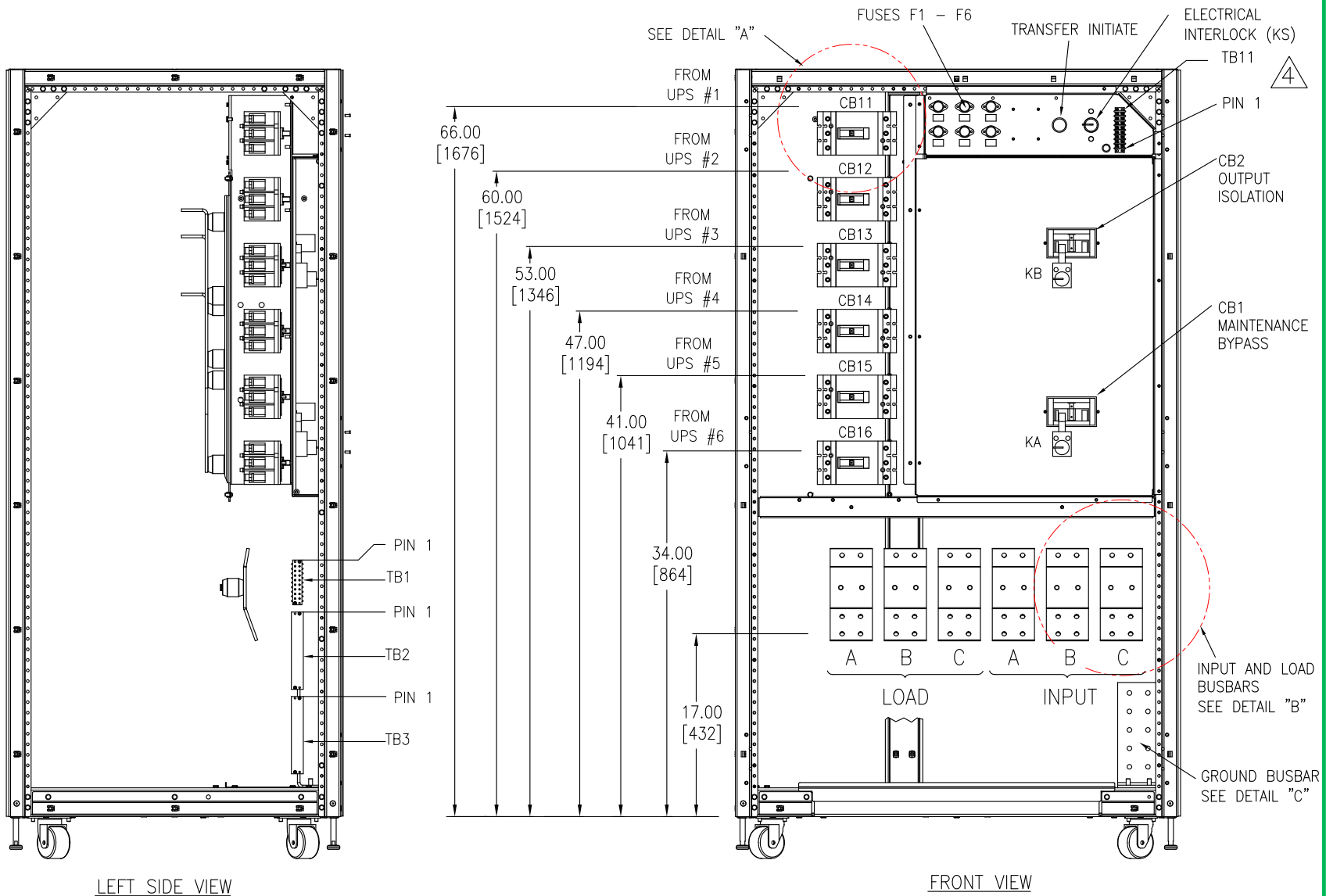
SEISMIC INSTALLATION ONLY

THIS DRAWING AND SPECIFICATIONS HEREIN ARE THE PROPERTY OF SCHNEIDER ELECTRIC AND SHALL NOT BE COPIED, REPRODUCED OR USED IN WHOLE OR IN PART, AS THE BASIS FOR THE MANUFACTURE OR SALE OF ITEMS WITHOUT WRITTEN PERMISSION FROM SCHNEIDER ELECTRIC. THIS DRAWING IS BASED UPON LATEST AVAILABLE INFORMATION AND IS SUBJECT TO CHANGE WITHOUT NOTICE.

**Schneider**  
Electric

TITLE:  
GALAXY 5000  
INSTALLATION DRAWINGS  
SBC, 6 Modules, 160/320/520 kVA, 480V  
SEISMIC ANCHORING CONFIGURATION  
PROJECT: SUBMITTAL DRAWINGS SHEET 3 OF 5

DWG NO:	REV.
90-174706-00	0
DRAWN BY: S CUNHA	06-NOV-13
ENGINEER: C PARENTI	06-NOV-13
APPROVED BY: J GOOSSEFF/S DAS	06-NOV-13
	THIRD ANGLE PROJECTION



LEFT SIDE VIEW

FRONT VIEW

<p>DETAIL "A" CB11 TO CB16</p>		<table border="1"> <thead> <tr> <th>CB11-CB16 RATING</th> <th>LUG WIRE SIZE</th> </tr> </thead> <tbody> <tr> <td>125A</td> <td>14AWG-3/0</td> </tr> <tr> <td>200A</td> <td>1/0-3/0</td> </tr> </tbody> </table>	CB11-CB16 RATING	LUG WIRE SIZE	125A	14AWG-3/0	200A	1/0-3/0
CB11-CB16 RATING	LUG WIRE SIZE							
125A	14AWG-3/0							
200A	1/0-3/0							

CB'S RATING			
MODEL NUMBER	CB1, CB2	UPS OUTPUT ISOLATION	CB'S
72-174071-2X	250A	UP TO 4 - 125A CB'S	CB11-CB14
72-174072-2X	500A	UP TO 6 - 125A CB'S UP TO 3 - 200A CB'S	CB11-CB16 CB11-CB13
72-174073-2X	800A	UP TO 6 - 125A CB'S UP TO 4 - 200A CB'S	CB11-CB16 CB11-CB14

NOTES: UNLESS OTHERWISE SPECIFIED.

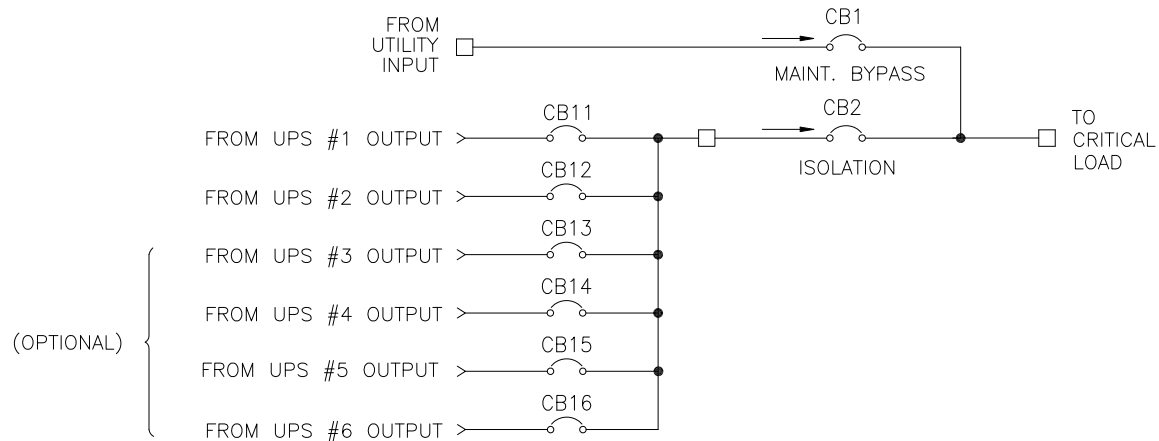
1. INSTALLATION SHALL COMPLY WITH ALL APPLICABLE NATIONAL AND LOCAL CODES.
2. PLEASE REFER TO PRODUCT MANUALS FOR ADDITIONAL DETAILS.
3. ALL DIMENSIONS ARE IN INCHES [MILLIMETERS].
4. ROUTE WIRING TO TB11 THROUGH THE HOLE ABOVE TB11.
5. FOR SEISMIC INSTALLATION UNIT IS SHIPPED WITH CASTERS REMOVED AND SEISMIC BRACKETS ATTACHED.

THIS DRAWING AND SPECIFICATIONS HEREIN ARE THE PROPERTY OF SCHNEIDER ELECTRIC AND SHALL NOT BE COPIED, REPRODUCED OR USED IN WHOLE OR IN PART, AS THE BASIS FOR THE MANUFACTURE OR SALE OF ITEMS WITHOUT WRITTEN PERMISSION FROM SCHNEIDER ELECTRIC. THIS DRAWING IS BASED UPON LATEST AVAILABLE INFORMATION AND IS SUBJECT TO CHANGE WITHOUT NOTICE.



TITLE:  
GALAXY 5000  
INSTALLATION DRAWINGS  
SBC, 6 Modules, 160/320/520 kVA, 480V  
INTERNAL VIEW  
PROJECT: SUBMITTAL DRAWINGS SHEET 4 OF 5

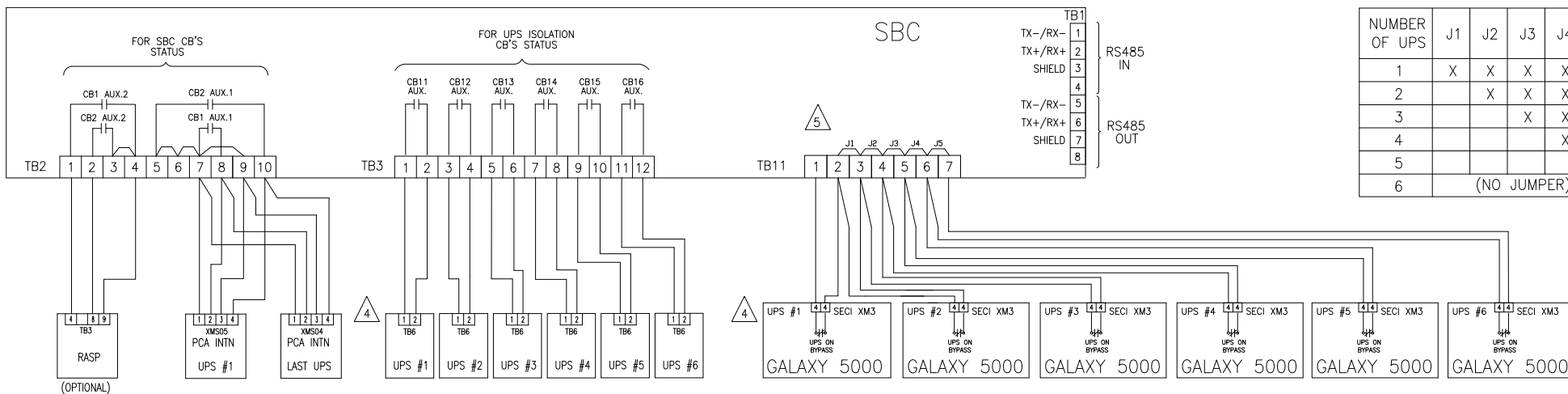
DWG NO: 90-174706-00  
DRAWN BY: K NAGENDRA/S CUNHA 06-NOV-13  
ENGINEER: I KENNEDY/S DAS 06-NOV-13  
APPROVED BY: J GOOSSEFF 06-NOV-13  
REV. 1  
THIRD ANGLE PROJECTION



SINGLE LINE DIAGRAM

△ 5 TB11 JUMPERS

NUMBER OF UPS	J1	J2	J3	J4	J5
1	X	X	X	X	X
2		X	X	X	X
3			X	X	X
4				X	X
5					X
6	(NO JUMPER)				



UPS TO SBC CONTROL WIRING

NOTES: UNLESS OTHERWISE SPECIFIED.

1. INSTALLATION SHALL COMPLY WITH ALL APPLICABLE NATIONAL AND LOCAL CODES.
  2. PLEASE REFER TO PRODUCT MANUALS FOR ADDITIONAL DETAILS.
  3. ALL CONNECTIONS ARE PROVIDED AND CONNECTED BY CUSTOMER.
- RECOMMENDED WIRES: #20 AWG.
- △ 4. 2 TO 6 UNITS.
- △ 5. FOR TB11 JUMPERS, REFER TO THE TABLE. (X=JUMPER INSTALLED)

THIS DRAWING AND SPECIFICATIONS HEREIN ARE THE PROPERTY OF SCHNEIDER ELECTRIC AND SHALL NOT BE COPIED, REPRODUCED OR USED IN WHOLE OR IN PART, AS THE BASIS FOR THE MANUFACTURE OR SALE OF ITEMS WITHOUT WRITTEN PERMISSION FROM SCHNEIDER ELECTRIC. THIS DRAWING IS BASED UPON LATEST AVAILABLE INFORMATION AND IS SUBJECT TO CHANGE WITHOUT NOTICE.



TITLE:  
GALAXY 5000  
INSTALLATION DRAWINGS  
SBC, 6 Modules, 160/320/520 kVA, 480V  
ELECTRICAL DIAGRAMS

PROJECT: SUBMITTAL DRAWINGS SHEET 5 OF 5

DWG NO: 90-174706-00 REV. 0

DRAWN BY: BALAMURUGAN 13-SEP-12 ANGLE

ENGINEER: S.DAS 13-SEP-12 PROJECTION

APPROVED BY: W.WATKINS 13-SEP-12 N.△