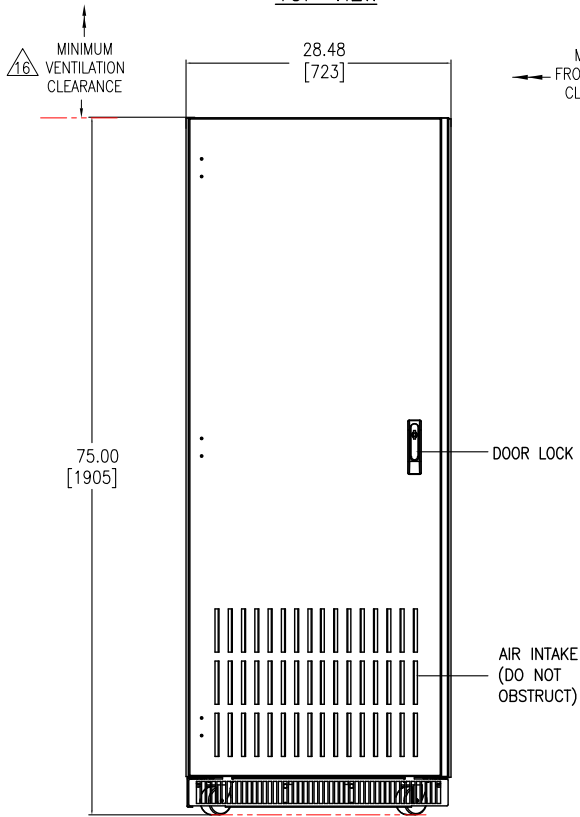
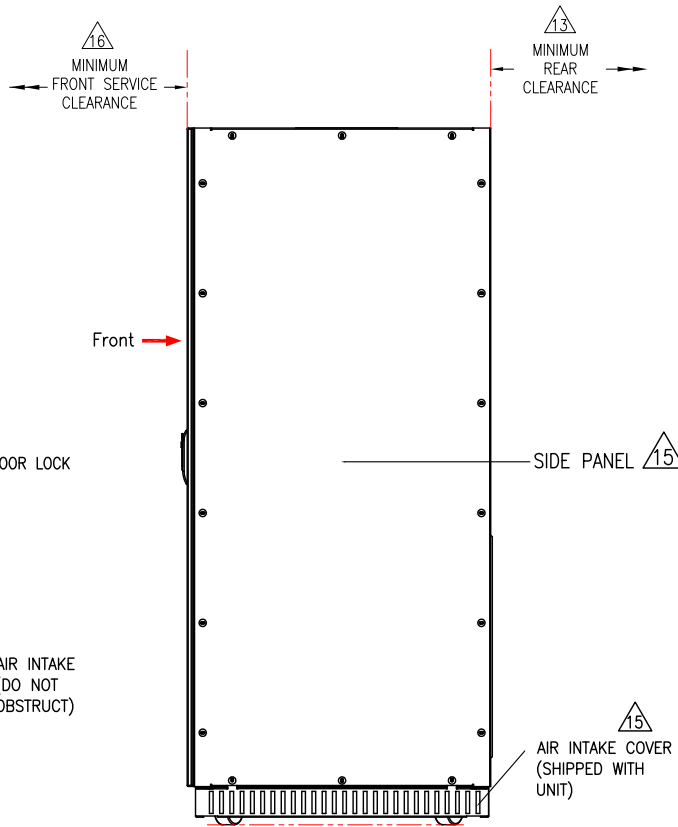


TOP VIEW



FRONT VIEW



RIGHT SIDE VIEW

NOTES:

1. INSTALLATION SHALL COMPLY WITH ALL APPLICABLE LOCAL AND NATIONAL CODES.
2. PLEASE REFER TO PRODUCT MANUALS FOR ADDITIONAL DETAILS.
3. ALL DIMENSIONS ARE IN INCHES [MILLIMETERS].
4. TOTAL WEIGHT OF UNIT IS:

RATING	WEIGHT
40-50kVA UPS	1200 LBS [546.0 kg]
60-80kVA UPS	1340 LBS [609.0 kg]
100-130kVA UPS	1740 LBS [791.0 kg]
40-50kVA UPS	1060 LBS [482.0 kg]

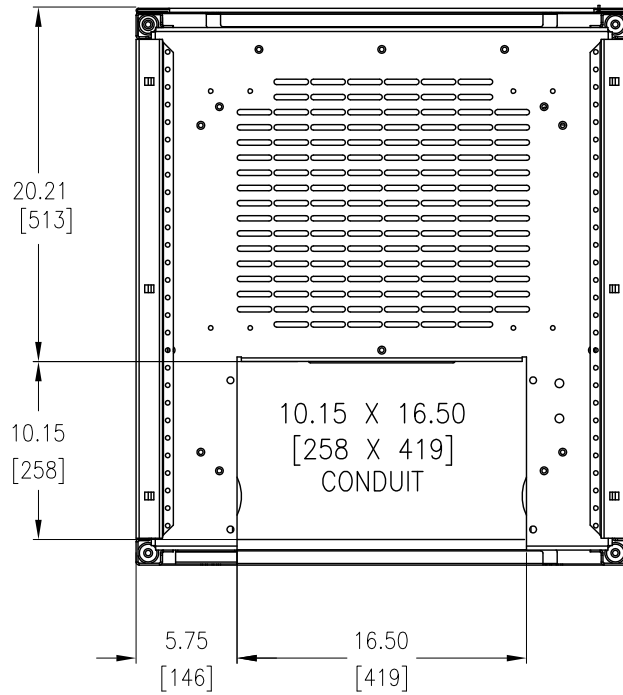
5. CABLE ENTRY IS FROM TOP/BOTTOM OF THE UNIT.
6. ALL DIMENSIONS ARE TO OUTSIDE EDGE OF THE CABINET, EXCLUDING DOOR LOCK AND ALL HARDWARE.
7. COLOR: SILVER METALLIC, DARK GRAY.
8. A TORX (T-30) TYPE SCREWDRIVER IS REQUIRED TO REMOVE PANELS.
9. OPERATING TEMPERATURE: 32°F (0°C) MIN. TO 104°F (40°C) MAX. RECOMMENDED OPERATING RANGE: 60°F (15°C) TO 77°F (25°C).
10. REFER TO DOCUMENT NO. 9-00038-00 FOR CABLE PREPARATION PROCEDURE FOR FIELD WIRING.
11. ALL EXTERNAL WIRING SUPPLIED AND CONNECTED BY CUSTOMER. (STAND ALONE MODELS ONLY). FOLLOW ALL APPLICABLE NEC AND LOCAL ELECTRICAL CODES.
12. POWER CABLES SHALL BE IN SEPARATE CONDUITS FROM CONTROL AND COMMUNICATION CABLES. ALL CABLE CONNECTIONS ARE BASED ON CUSTOMER SUPPLIED COPPER WIRE RATED 75°C.
- △13. PROVIDE ADEQUATE REAR/SIDE CLEARANCE FOR SEISMIC BRACKET INSTALLATION, IF APPLICABLE.
14. FOR SEISMIC INSTALLATION UNIT IS SHIPPED WITH CASTERS REMOVED AND SEISMIC BRACKETS ATTACHED.
- △15. FOR ADJACENT UNIT: CABINET SHIPPED WITHOUT SIDE PANELS AND SIDE AIR INTAKE COVERS. USE SIDE PANEL AND AIR INTAKE COVER FROM UPS WHEN END CABINET IN SYSTEM LINE-UP.
- △16. RECOMMENDED CLEARANCE IS SUBJECT TO NATIONAL AND LOCAL CODES: 36.0 [914] RECOMMENDED FRONT CLEARANCE. 24.0 [610] RECOMMENDED TOP CLEARANCE FOR VENTILATION.

THIS DRAWING AND SPECIFICATIONS HEREIN ARE THE PROPERTY OF SCHNEIDER ELECTRIC AND SHALL NOT BE COPIED, REPRODUCED OR USED IN WHOLE OR IN PART, AS THE BASIS FOR THE MANUFACTURE OR SALE OF ITEMS WITHOUT WRITTEN PERMISSION FROM SCHNEIDER ELECTRIC. THIS DRAWING IS BASED UPON LATEST AVAILABLE INFORMATION AND IS SUBJECT TO CHANGE WITHOUT NOTICE.

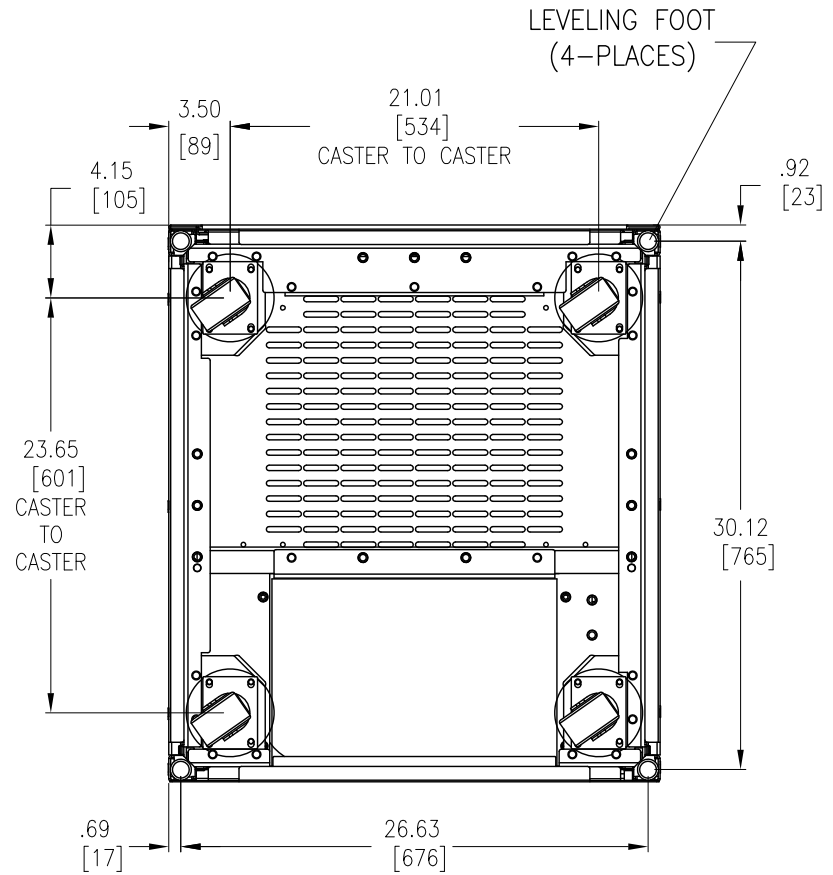


TITLE:
 GALAXY 5000
 AUXILIARY CABINETS INSTALLATION
 Maintenance Bypass Cabinet with XFMR, 40-130kVA
 MAIN MECHANICAL
 PROJECT: SUBMITTAL DRAWINGS SHEET 1 OF 6

DWG NO:	90-174704-00	REV.	4
DRAWN BY:	BALAMURUGAN/S CUNHA	06-NOV-13	THIRD
ENGINEER:	S DAS/U BHAVILAI	06-NOV-13	ANGLE
APPROVED BY:	J GOOSSEFF	06-NOV-13	PROJECTION



BOTTOM ENTRY CONDUIT LOCATION
BASE TOP VIEW



CASTER & LEVELER LOCATIONS
BASE TOP VIEW



NOTES: UNLESS OTHERWISE SPECIFIED.

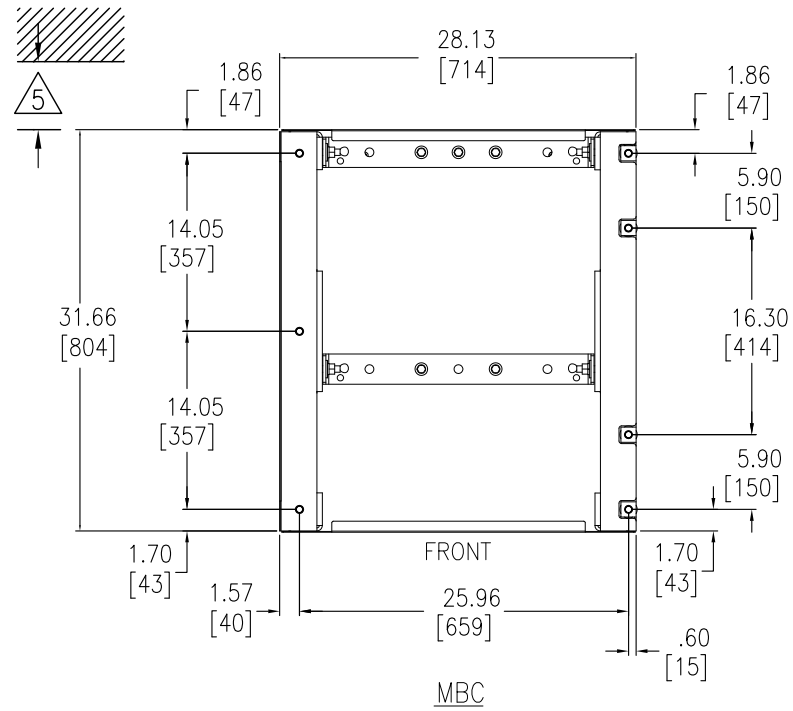
1. INSTALLATION SHALL COMPLY WITH ALL APPLICABLE NATIONAL AND LOCAL CODES.
2. PLEASE REFER TO PRODUCT MANUALS FOR ADDITIONAL DETAILS.
3. ALL DIMENSIONS ARE IN INCHES [MILLIMETERS].
4. DIMENSIONS SHOWN WITHOUT SIDE PANELS {EACH SIDE PANEL 6.0 [0.24]}
- △ 5. FOR SEISMIC INSTALLATION UNIT IS SHIPPED WITH CASTERS REMOVED AND SEISMIC BRACKETS ATTACHED.

THIS DRAWING AND SPECIFICATIONS HEREIN ARE THE PROPERTY OF SCHNEIDER ELECTRIC AND SHALL NOT BE COPIED, REPRODUCED OR USED IN WHOLE OR IN PART, AS THE BASIS FOR THE MANUFACTURE OR SALE OF ITEMS WITHOUT WRITTEN PERMISSION FROM SCHNEIDER ELECTRIC. THIS DRAWING IS BASED UPON LATEST AVAILABLE INFORMATION AND IS SUBJECT TO CHANGE WITHOUT NOTICE.



TITLE:
GALAXY 5000
AUXILIARY CABINETS INSTALLATION
Maintenance Bypass Cabinet with XFMR, 40-130kVA
BOTTOM VIEW & ANCHORING
PROJECT: SUBMITTAL DRAWINGS SHEET 2 OF 6

DWG NO:	90-174704-00	REV.	2
DRAWN BY:	BALAMURUGAN/S CUNHA	06-NOV-13	THIRD
ENGINEER:	I. KENNEDY/S.DAS	06-NOV-13	ANGLE
APPROVED BY:	J GOOSSEFF	06-NOV-13	PROJECTION



SEISMIC ANCHORING

NOTES: UNLESS OTHERWISE SPECIFIED

1. INSTALLATION SHALL COMPLY WITH ALL APPLICABLE NATIONAL AND LOCAL CODES.
2. PLEASE REFER TO PRODUCT MANUALS FOR ADDITIONAL DETAILS.
3. UNLESS OTHERWISE SPECIFIED, ALL DIMENSIONS ARE IN INCHES [MILLIMETERS].
4. ALL DIMENSIONS ARE TO THE OUTSIDE EDGE OF CABINET, EXCLUDING DOOR LOCKS AND ALL HARDWARE.
- △ 5. 4" [101.6 MM] MINIMUM CLEARANCE FROM THE REAR PANEL OF UNIT TO THE WALL. ADDITIONAL CLEARANCE (BY CUSTOMER) DEPENDENT OF FLOOR ANCHORING HARDWARE SPECIFICATIONS.
6. FLOOR ANCHORING HARDWARE IS NOT PROVIDED.
MINIMUM REQUIREMENT FOR MBC CABINET 1/2", 5 GRADE HARDWARE.
7. SEISMIC QUALIFICATION OF NON-STRUCTURAL COMPONENT BY SCHNEIDER ELECTRIC IS JUST ONE LINK IN THE TOTAL CHAIN OF RESPONSIBILITY REQUIRED TO MAXIMIZE THE PROBABILITY THAT THE EQUIPMENT WILL BE INTACT AND FUNCTIONAL AFTER A SEISMIC EVENT. DURING A SEISMIC EVENT THE EQUIPMENT MUST BE ABLE TO TRANSFER THE LOADS THAT ARE CREATED THROUGH THE MOUNTING AND ANCHORAGE TO THE LOAD-BEARING PATH OF THE BUILDING STRUCTURAL SYSTEM. ANCHORAGE OF THE EQUIPMENT TO THE PRIMARY BUILDING STRUCTURE IS REQUIRED TO VALIDATE THE SEISMIC CERTIFICATION. THE STRUCTURAL ENGINEER OR DESIGN ENGINEER OF RECORD IS RESPONSIBLE FOR DETAILING THE EQUIPMENT ANCHORAGE REQUIREMENTS FOR THE GIVEN INSTALLATION. THE INSTALLER AND MANUFACTURERS OF THE ANCHORAGE SYSTEM ARE RESPONSIBLE FOR ASSURING THAT THE MOUNTING REQUIREMENTS ARE MET. SCHNEIDER ELECTRIC IS NOT RESPONSIBLE FOR THE SPECIFICATION AND PERFORMANCE OF THE ANCHORAGE SYSTEMS.

REFERENCE P/N		
DESCRIPTION	KIT NUMBER	QTY.
MBC	OH-0735	1

SEISMIC INSTALLATION ONLY

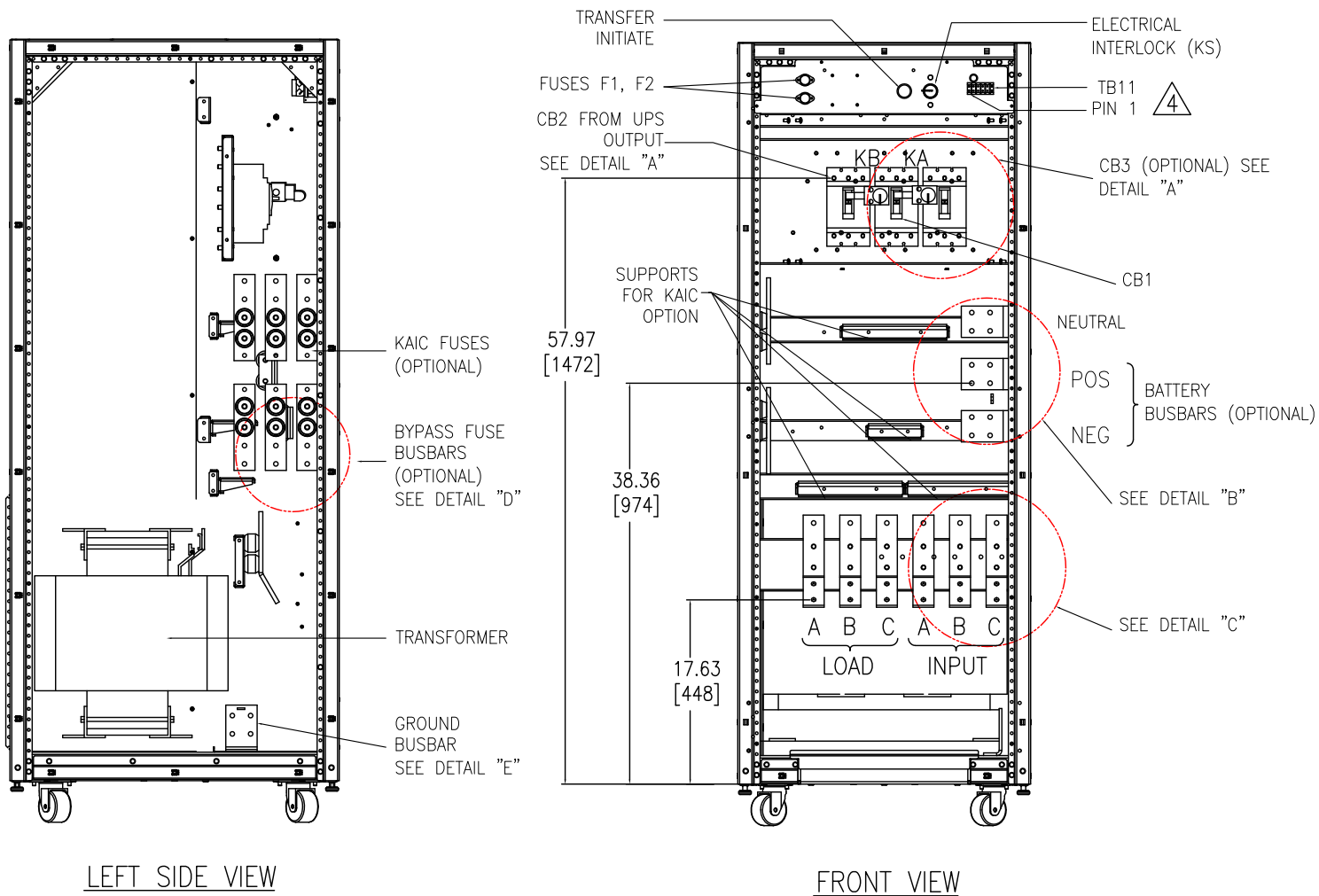
THIS DRAWING AND SPECIFICATIONS HEREIN ARE THE PROPERTY OF SCHNEIDER ELECTRIC AND SHALL NOT BE COPIED, REPRODUCED OR USED IN WHOLE OR IN PART, AS THE BASIS FOR THE MANUFACTURE OR SALE OF ITEMS WITHOUT WRITTEN PERMISSION FROM SCHNEIDER ELECTRIC. THIS DRAWING IS BASED UPON LATEST AVAILABLE INFORMATION AND IS SUBJECT TO CHANGE WITHOUT NOTICE.



TITLE:
GALAXY 5000
AUXILIARY CABINETS INSTALLATION
Maintenance Bypass Cabinet with XFMR, 40-130kVA
SEISMIC ANCHORING CONFIGURATION

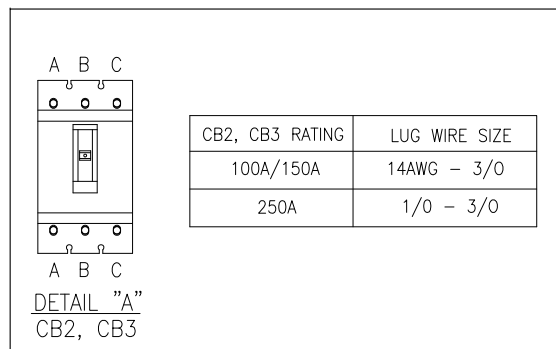
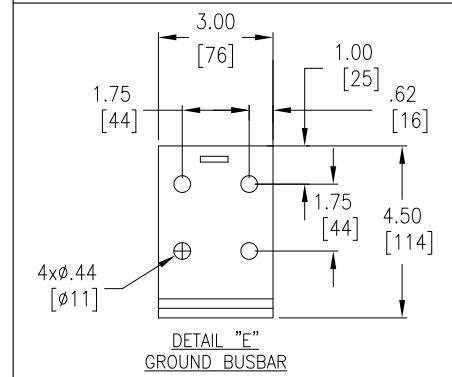
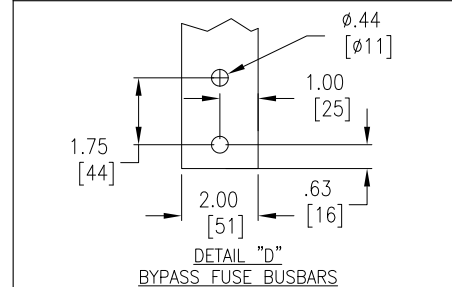
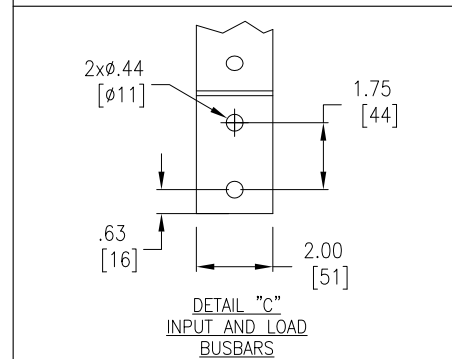
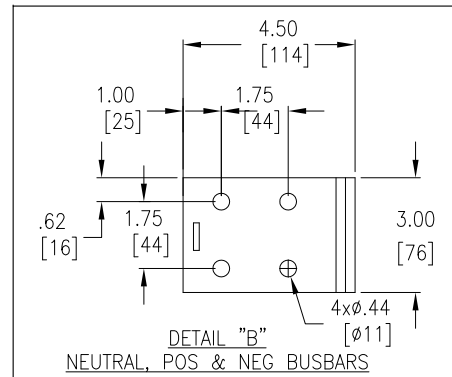
PROJECT: SUBMITTAL DRAWINGS SHEET 3 OF 6

DWG NO:	90-174704-00	REV.	0
DRAWN BY:	S CUNHA	06-NOV-13	THIRD
ENGINEER:	C PARENTI	06-NOV-13	ANGLE
APPROVED BY:	S DAS/J GOOSSEFF	06-NOV-13	PROJECTION



LEFT SIDE VIEW

FRONT VIEW



NOTES: UNLESS OTHERWISE SPECIFIED.

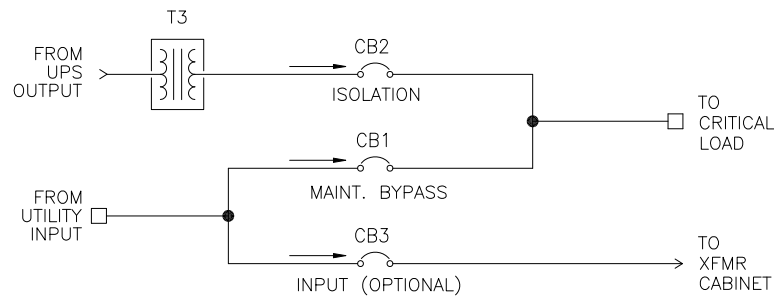
1. INSTALLATION SHALL COMPLY WITH ALL APPLICABLE NATIONAL AND LOCAL CODES.
2. PLEASE REFER TO PRODUCT MANUALS FOR ADDITIONAL DETAILS.
3. ALL DIMENSIONS ARE IN INCHES [MILLIMETERS].
4. ROUTE WIRING TO TB11 THROUGH THE HOLE ABOVE TB11.
5. FOR SEISMIC INSTALLATION UNIT IS SHIPPED WITH CASTERS REMOVED AND SEISMIC BRACKETS ATTACHED.

THIS DRAWING AND SPECIFICATIONS HEREIN ARE THE PROPERTY OF SCHNEIDER ELECTRIC AND SHALL NOT BE COPIED, REPRODUCED OR USED IN WHOLE OR IN PART, AS THE BASIS FOR THE MANUFACTURE OR SALE OF ITEMS WITHOUT WRITTEN PERMISSION FROM SCHNEIDER ELECTRIC. THIS DRAWING IS BASED UPON LATEST AVAILABLE INFORMATION AND IS SUBJECT TO CHANGE WITHOUT NOTICE.

Schneider Electric

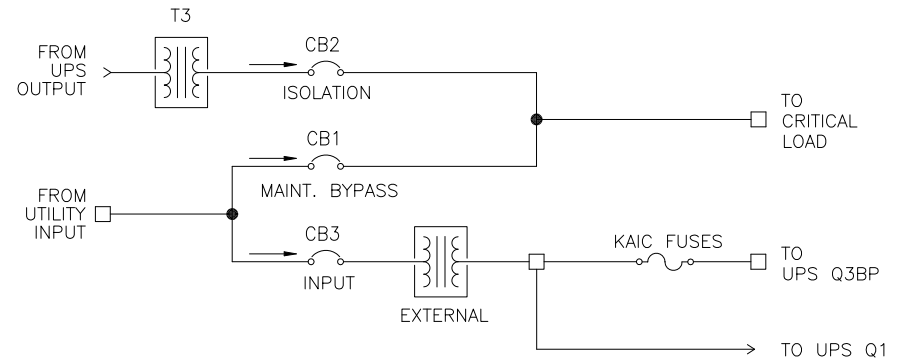
TITLE:
GALAXY 5000
AUXILIARY CABINETS INSTALLATION
Maintenance Bypass Cabinet with XFMR, 40-130kVA
INTERNAL VIEW
PROJECT: SUBMITTAL DRAWINGS SHEET 4 OF 6

DWG NO: 90-174704-00 REV. 1
DRAWN BY: K.NAGENDRA/S.CUNHA 06-NOV-13 THIRD
ENGINEER: I. KENNEDY/S.DAS 06-NOV-13 ANGLE
APPROVED BY: J. GOOSSEFF 06-NOV-13 PROJECTION



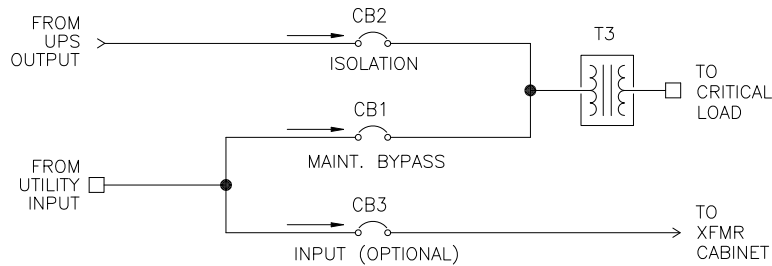
MODEL NUMBER	OPTION	T3 RATING
72-174051-10	85-174150-06	480-480V 50KVA
72-174051-10	85-174150-07	480-600V 50KVA
72-174052-10	85-174151-06	480-480V 80KVA
72-174052-10	85-174151-07	480-600V 80KVA

MODEL NUMBER	OPTION	T3 RATING
72-174053-10	85-174152-06	480-480V 130KVA
72-174053-10	85-174152-07	480-600V 130KVA
72-174054-10	85-174150-04	480-208V 50KVA
72-174054-10	85-174150-05	480-220V 50KVA



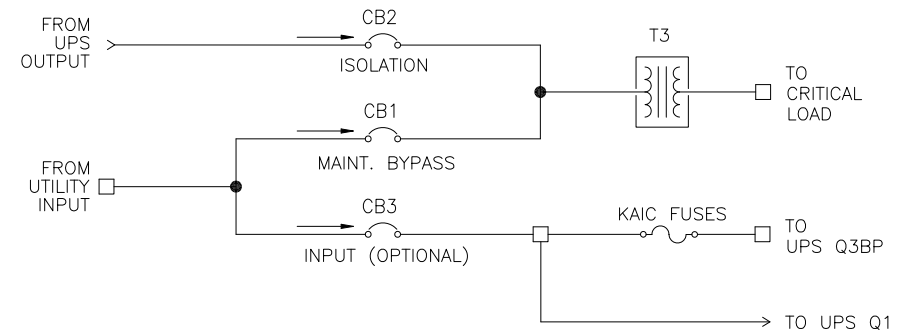
MODEL NUMBER	OPTION	T3 RATING
72-174051-11	85-174150-07	480-600V 50KVA
72-174052-11	85-174151-07	480-600V 80KVA
72-174053-11	85-174152-07	480-600V 130KVA

MODEL NUMBER	OPTION	T3 RATING
72-174054-11	85-174150-04	480-208V 50KVA
72-174054-11	85-174150-05	480-220V 50KVA



MODEL NUMBER	OPTION	T3 RATING
72-174051-10	85-174150-00	480-208V 50KVA
72-174052-10	85-174151-00	480-208V 80KVA
72-174053-10	85-174152-00	480-208V 130KVA

STANDARD



MODEL NUMBER	OPTION	T3 RATING
72-174051-11	85-174150-00	480-208V 50KVA
72-174052-11	85-174151-00	480-208V 80KVA
72-174053-11	85-174152-00	480-208V 130KVA

WITH KAIC

SINGLE LINE DIAGRAM

NOTES: UNLESS OTHERWISE SPECIFIED.

1. INSTALLATION SHALL COMPLY WITH ALL APPLICABLE NATIONAL AND LOCAL CODES.
2. PLEASE REFER TO PRODUCT MANUALS FOR ADDITIONAL DETAILS.

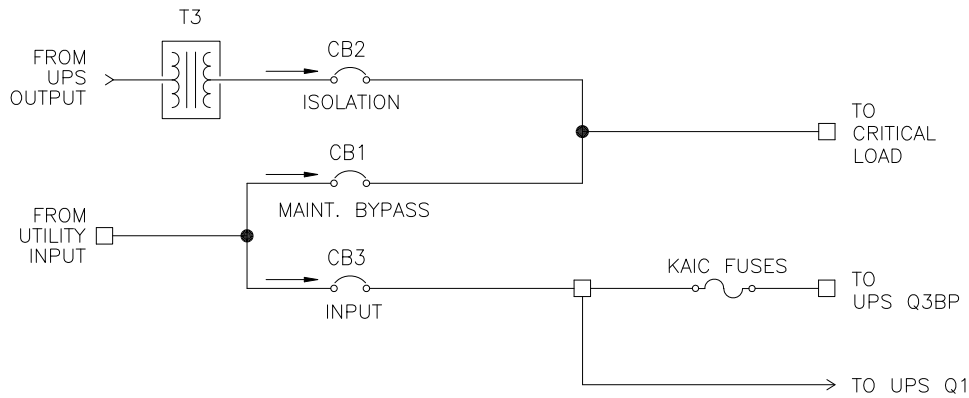
THIS DRAWING AND SPECIFICATIONS HEREIN ARE THE PROPERTY OF SCHNEIDER ELECTRIC AND SHALL NOT BE COPIED, REPRODUCED OR USED IN WHOLE OR IN PART, AS THE BASIS FOR THE MANUFACTURE OR SALE OF ITEMS WITHOUT WRITTEN PERMISSION FROM SCHNEIDER ELECTRIC. THIS DRAWING IS BASED UPON LATEST AVAILABLE INFORMATION AND IS SUBJECT TO CHANGE WITHOUT NOTICE.



TITLE:
GALAXY 5000
AUXILIARY CABINETS INSTALLATION
Maintenance Bypass Cabinet with XFMR, 40-130KVA
ELECTRICAL DIAGRAMS
PROJECT: SUBMITTAL DRAWINGS SHEET 5 OF 6

DWG NO: 90-174704-00
DRAWN BY: BALAMURUGAN 23-AUG-12
ENGINEER: S.DAS 23-AUG-12
APPROVED BY: W.WATKINS 23-AUG-12

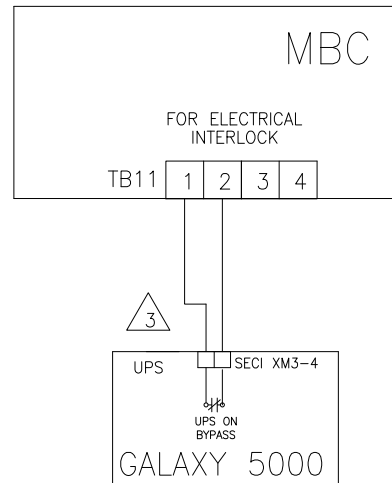
REV. 0
ANGLE
PROJECTION
N.A.



MODEL NUMBER	OPTION	T3 RATING
72-174051-11	85-174150-06	480-480V 50KVA
72-174052-11	85-174151-06	480-480V 80KVA
72-174053-11	85-174152-06	480-480V 130KVA

WITH KAIC

SINGLE LINE DIAGRAM



UPS TO MBC CONTROL WIRING

NOTES: UNLESS OTHERWISE SPECIFIED.

1. INSTALLATION SHALL COMPLY WITH ALL APPLICABLE NATIONAL AND LOCAL CODES.
2. PLEASE REFER TO PRODUCT MANUALS FOR ADDITIONAL DETAILS.
- △ 3. ALL CONNECTIONS ARE PROVIDED AND CONNECTED BY CUSTOMER. RECOMMENDED WIRES: #20 AWG.

THIS DRAWING AND SPECIFICATIONS HEREIN ARE THE PROPERTY OF SCHNEIDER ELECTRIC AND SHALL NOT BE COPIED, REPRODUCED OR USED IN WHOLE OR IN PART, AS THE BASIS FOR THE MANUFACTURE OR SALE OF ITEMS WITHOUT WRITTEN PERMISSION FROM SCHNEIDER ELECTRIC. THIS DRAWING IS BASED UPON LATEST AVAILABLE INFORMATION AND IS SUBJECT TO CHANGE WITHOUT NOTICE.



TITLE:
 GALAXY 5000
 AUXILIARY CABINETS INSTALLATION
 Maintenance Bypass Cabinet with XFMR, 40-130kVA
 ELECTRICAL DIAGRAMS
 PROJECT: SUBMITTAL DRAWINGS SHEET 6 OF 6

DWG NO:	90-174704-00	REV.	0
DRAWN BY:	BALAMURUGAN	23-AUG-12	ANGLE
ENGINEER:	S.DAS	23-AUG-12	PROJECTION
APPROVED BY:	W.WATKINS	23-AUG-12	N.A.