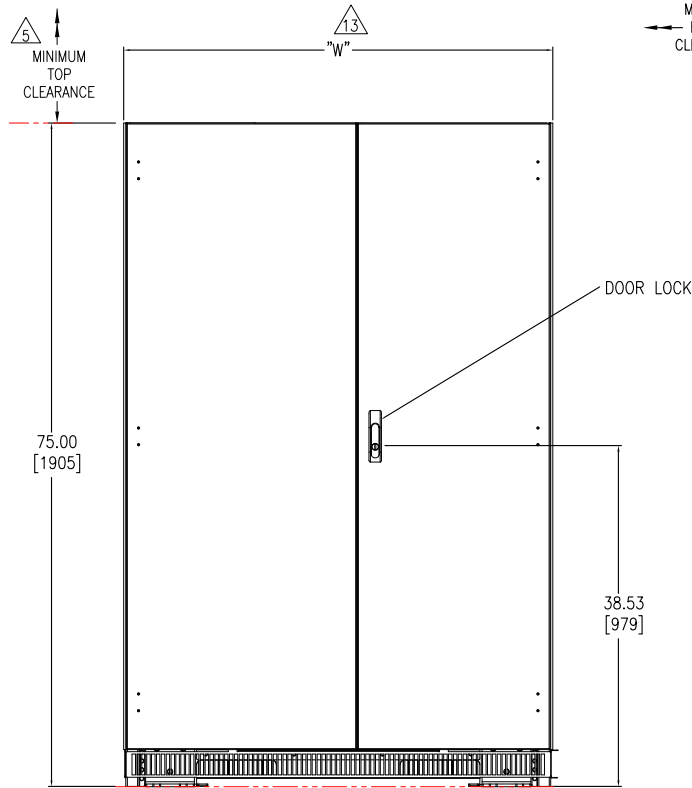
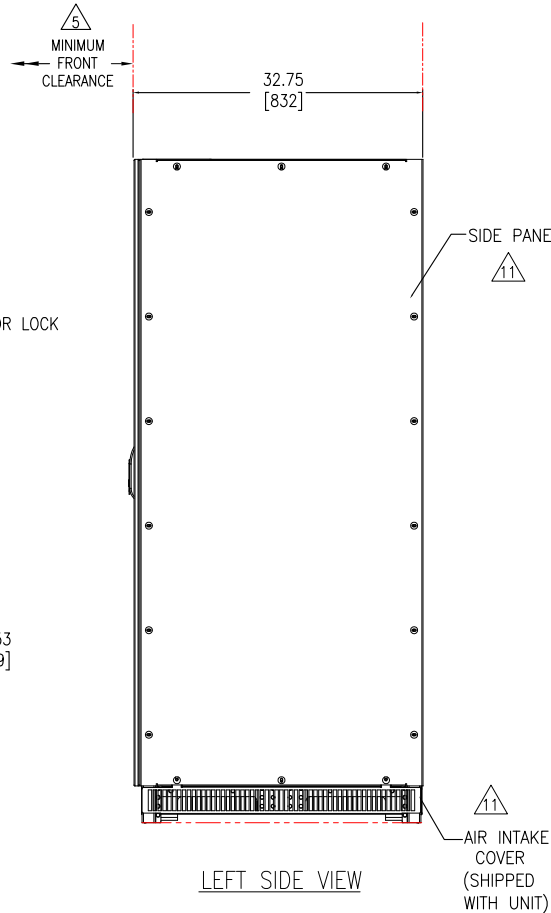


TOP VIEW



FRONT VIEW



LEFT SIDE VIEW

MODEL DETAILS				
MODEL NUMBER	CONFIGURATION	DIMENSION "W" Inches[mm]	WEIGHT lbs [kg]	QF1 Rating Amps
72-174022-15	ADJACENT	48.24 [1225]	4120 [1873]	400A
72-174022-25	STANDALONE	48.48 [1231]	4070 [1850]	400A
72-174022-16	ADJACENT	48.24 [1225]	4650 [2114]	400A
72-174022-26	STANDALONE	48.48 [1231]	4600 [2091]	400A

NOTES: UNLESS OTHERWISE SPECIFIED.

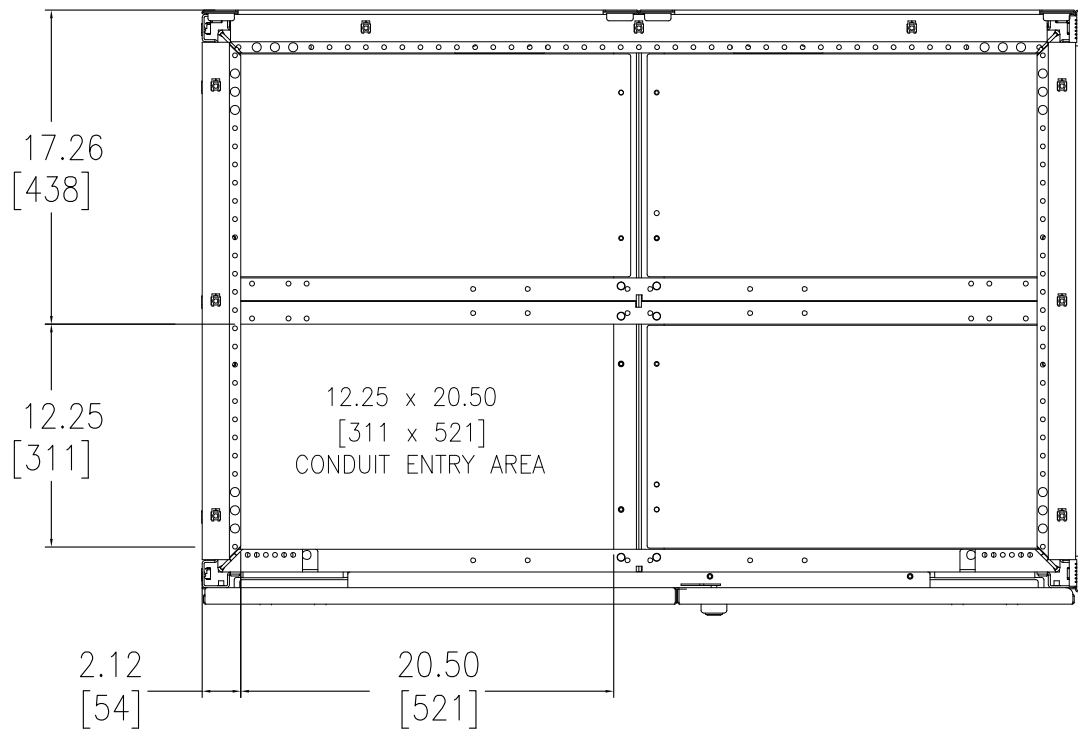
1. INSTALLATION SHALL COMPLY WITH ALL APPLICABLE NATIONAL AND LOCAL CODES.
2. PLEASE REFER TO PRODUCT MANUALS FOR ADDITIONAL DETAILS.
3. UNLESS OTHERWISE SPECIFIED ALL DIMENSIONS ARE IN INCHES [MILLIMETERS].
4. ALL DIMENSIONS ARE TO OUTSIDE EDGE OF THE CABINET. EXCLUDING DOOR LOCK AND ALL HARDWARE.
- △5. RECOMMENDED CLEARANCE IS SUBJECT TO NATIONAL AND LOCAL CODES
24.0 [610] RECOMMENDED TOP CLEARANCE.
39.0 [1000] RECOMMENDED FRONT CLEARANCE.
6. COLOR: SILVER METALLIC, DARK GRAY.
7. A TORX (T-30) TYPE SCREWDRIVER IS REQUIRED TO REMOVE PANELS.
8. OPERATING TEMPERATURE: 32°F (0°C) MIN. TO 104°F (40°C) MAX. RECOMMENDED OPERATING RANGE: 60°F (15°C) TO 77°F (25°C).
9. ALL EXTERNAL WIRING SUPPLIED AND CONNECTED BY CUSTOMER (STAND ALONE MODELS ONLY).
10. POWER CABLES SHALL BE IN SEPARATE CONDUITS FROM CONTROL AND COMMUNICATION CABLES.
- △11. FOR ADJACENT UNIT:
CABINET SHIPPED WITHOUT SIDE PANELS AND SIDE AIR INTAKE COVERS.
USE SIDE PANEL AND AIR INTAKE COVER FROM UPS WHEN END CABINET IN SYSTEM LINE-UP.
12. BATTERY VOLTAGE DROP SHALL BE KEPT TO LESS THAN 1% BASED ON BATTERY DISCONNECT RATING.
- △13. THIS DRAWING DEPICTS 48.0 [1219.0] WIDTH CABINET. FOR OTHER DETAILS REFER TO TABLE.
15. PLEASE REFER TO G5TSA FOR TYPICAL SEISMIC ANCHORING DETAILS.

NON-SEISMIC INSTALLATION ONLY

THIS DRAWING AND SPECIFICATIONS HEREIN ARE THE PROPERTY OF SCHNEIDER ELECTRIC AND SHALL NOT BE COPIED, REPRODUCED OR USED IN WHOLE OR IN PART, AS THE BASIS FOR THE MANUFACTURE OR SALE OF ITEMS WITHOUT WRITTEN PERMISSION FROM SCHNEIDER ELECTRIC. THIS DRAWING IS BASED UPON LATEST AVAILABLE INFORMATION AND IS SUBJECT TO CHANGE WITHOUT NOTICE.



TITLE: GALAXY 5000 INSTALLATION DRAWINGS, NON-SEISMIC 48" WIDE BATTERY CABINET MAIN MECHANICAL		DWG NO: 90-174701-01	REV. 2
PROJECT: SUBMITTAL DRAWINGS	SHEET 1 OF 5	DRAWN BY: S CUNHA	23-OCT-13
		ENGINEER: S DAS/U BHAVILAI	23-OCT-13
		APPROVED BY: J GOOSSEFF	23-OCT-13
			THIRD ANGLE PROJECTION



BOTTOM ENTRY CONDUIT LOCATION
BASE TOP VIEW

NOTES: UNLESS OTHERWISE SPECIFIED.

1. INSTALLATION SHALL COMPLY WITH ALL APPLICABLE NATIONAL AND LOCAL CODES.
2. PLEASE REFER TO PRODUCT MANUALS FOR ADDITIONAL DETAILS.
3. ALL DIMENSIONS ARE IN INCHES [MILLIMETERS].
4. DIMENSIONS SHOWN WITHOUT SIDE PANELS {EACH SIDE PANEL 6.0 [0.24]}.

THIS DRAWING AND SPECIFICATIONS HEREIN ARE THE PROPERTY OF SCHNEIDER ELECTRIC AND SHALL NOT BE COPIED, REPRODUCED OR USED IN WHOLE OR IN PART, AS THE BASIS FOR THE MANUFACTURE OR SALE OF ITEMS WITHOUT WRITTEN PERMISSION FROM SCHNEIDER ELECTRIC. THIS DRAWING IS BASED UPON LATEST AVAILABLE INFORMATION AND IS SUBJECT TO CHANGE WITHOUT NOTICE.

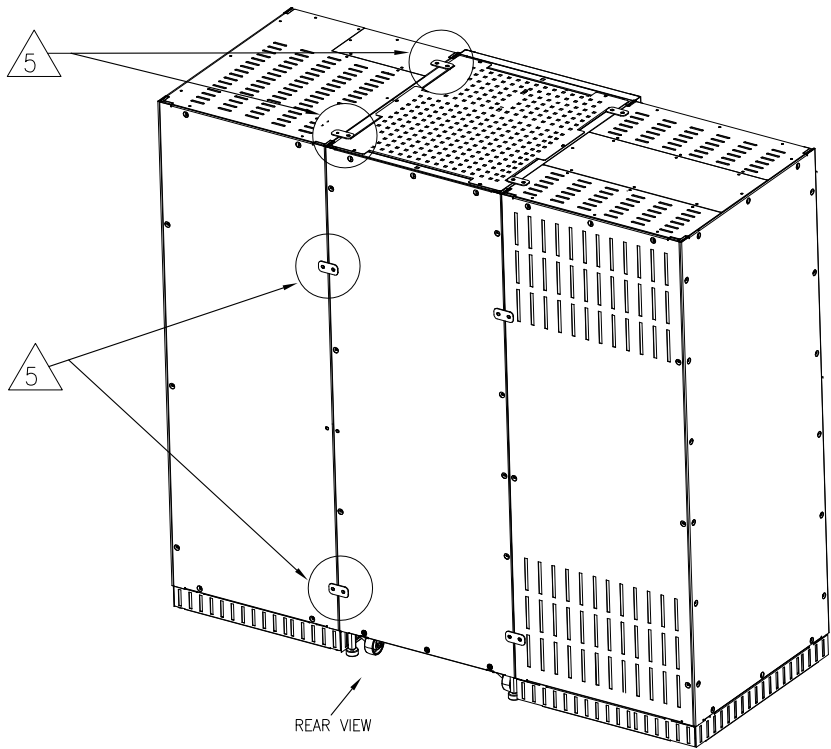


TITLE:
GALAXY 5000
INSTALLATION DRAWINGS, NON-SEISMIC
48" WIDE BATTERY CABINET
BOTTOM VIEW

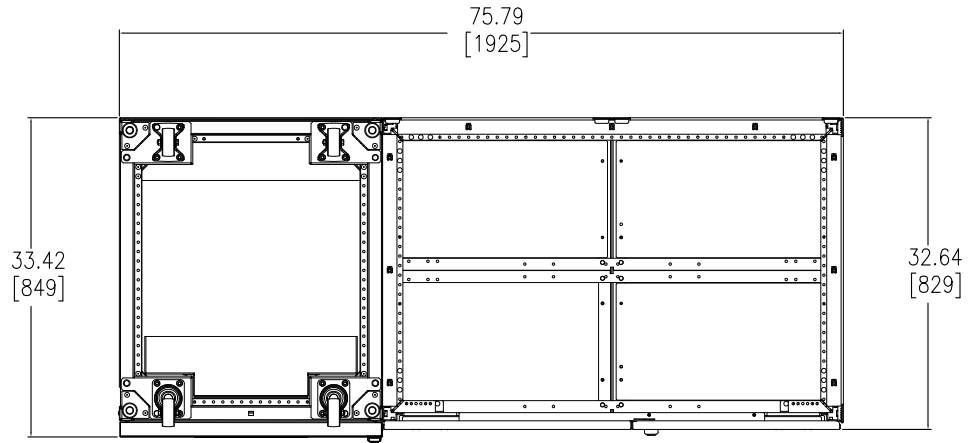
PROJECT: SUBMITTAL DRAWINGS SHEET 2 OF 5

NON-SEISMIC INSTALLATION ONLY

DWG NO:	90-174701-01	REV.	1
DRAWN BY:	K NAGENDRA/S CUNHA	23-OCT-13	THIRD
ENGINEER:	I KENNEDY/S DAS	23-OCT-13	ANGLE
APPROVED BY:	J GOOSSEFF	23-OCT-13	PROJECTION



INTERCONNECT BRACKETS LOCATION



BAYING CABINETS
(WITH BATTERY 48"W)

NOTES: UNLESS OTHERWISE SPECIFIED.

1. INSTALLATION SHALL COMPLY WITH ALL APPLICABLE NATIONAL AND LOCAL CODES.
2. PLEASE REFER TO PRODUCT MANUALS FOR ADDITIONAL DETAILS.
3. ALL DIMENSIONS ARE IN INCHES [MILLIMETERS].
4. ALL DIMENSIONS ARE TO THE OUTSIDE EDGE OF CABINET, EXCLUDING DOOR LOCKS AND ALL HARDWARE.
- △5. USE BRACKET 71-174281-00 ON THE BOTTOM.

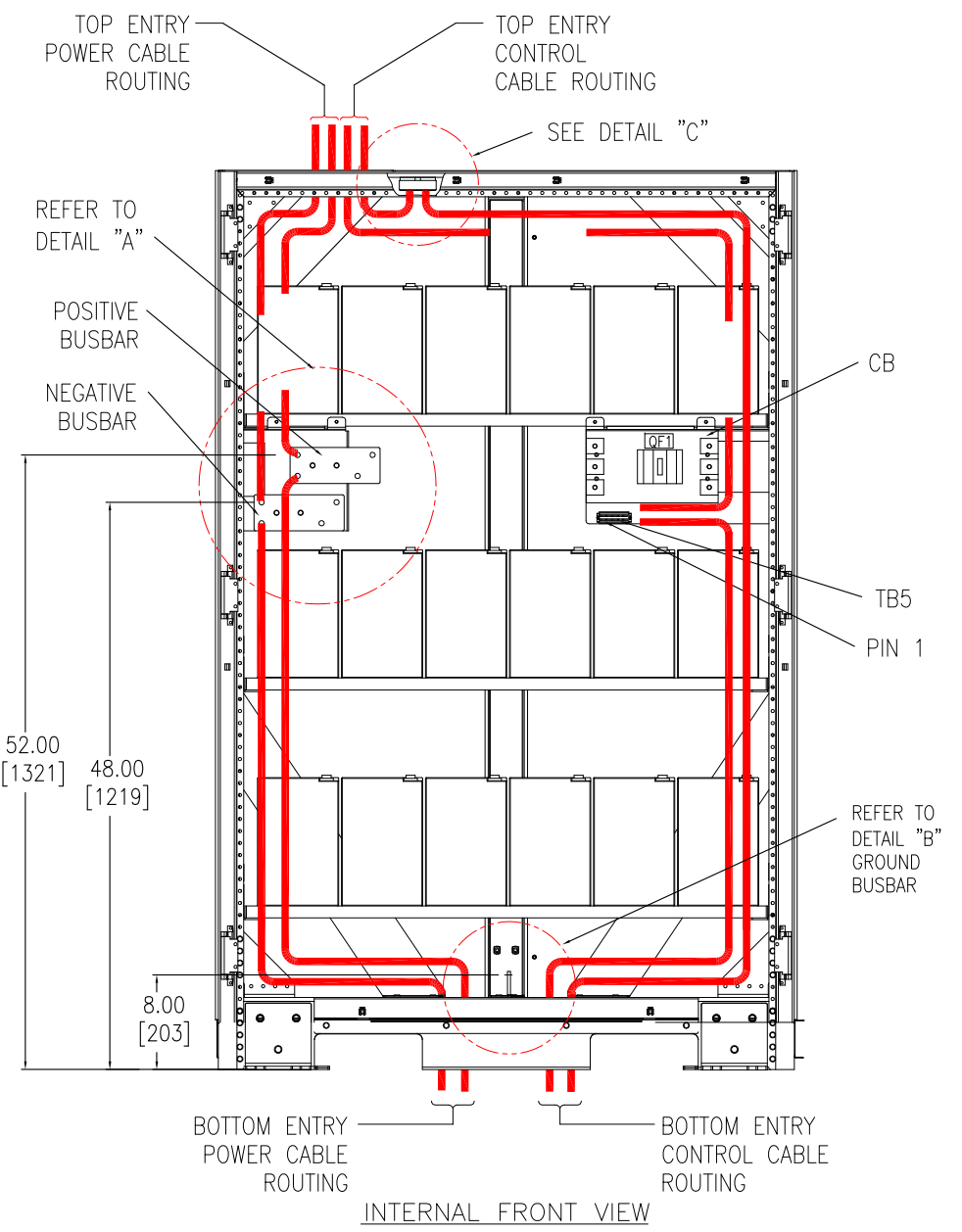
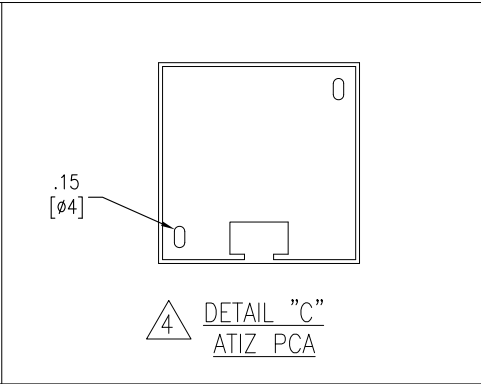
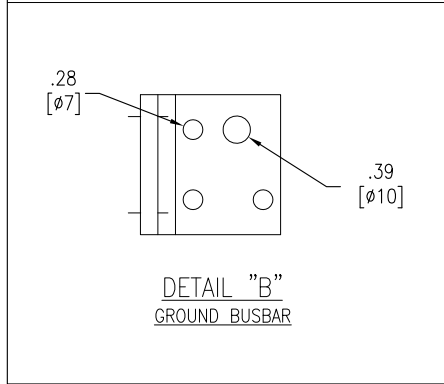
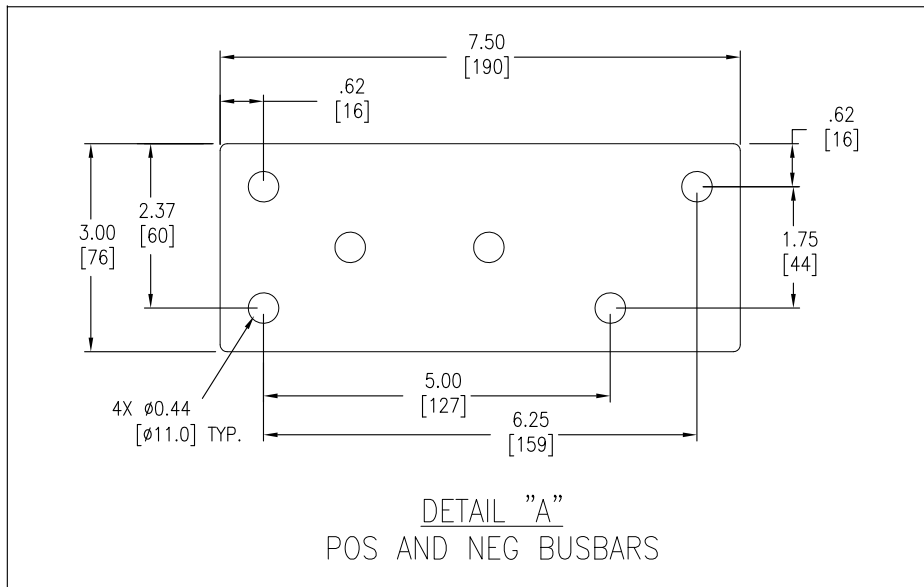
THIS DRAWING AND SPECIFICATIONS HEREIN ARE THE PROPERTY OF SCHNEIDER ELECTRIC AND SHALL NOT BE COPIED, REPRODUCED OR USED IN WHOLE OR IN PART, AS THE BASIS FOR THE MANUFACTURE OR SALE OF ITEMS WITHOUT WRITTEN PERMISSION FROM SCHNEIDER ELECTRIC. THIS DRAWING IS BASED UPON LATEST AVAILABLE INFORMATION AND IS SUBJECT TO CHANGE WITHOUT NOTICE.



TITLE:
GALAXY 5000
INSTALLATION DRAWINGS, NON-SEISMIC
48" WIDE BATTERY CABINET
INTERCONNECT BRACKET LOCATIONS
PROJECT: SUBMITTAL DRAWINGS SHEET 3 OF 5

NON-SEISMIC INSTALLATION ONLY

DWG NO:	90-174701-01	REV:	0
DRAWN BY:	S CUNHA	23-OCT-13	THIRD
ENGINEER:	S DAS	23-OCT-13	ANGLE
APPROVED BY:	J GOOSSEFF	23-OCT-13	PROJECTION



NOTES: UNLESS OTHERWISE SPECIFIED.

1. INSTALLATION SHALL COMPLY WITH ALL APPLICABLE NATIONAL AND LOCAL CODES.
2. PLEASE REFER TO PRODUCT MANUALS FOR ADDITIONAL DETAILS.
3. ALL DIMENSIONS ARE IN INCHES [MILLIMETERS].
- △ 4. MOUNT ATIZ PCA IN FIRST BATTERY CABINET.
5. FOLLOW POWER AND CONTROL CABLES ROUTING AS SHOWN. FOR MULTIPLE ADJACENT CABINETS, CABLES INTERCONNECT THROUGH MIDDLE OF CABINET.
6. CB UV COIL CURRENT: 69 mA
CONN. XMB07/8 CURRENT SUPPLY: 200mA EACH.

THIS DRAWING AND SPECIFICATIONS HEREIN ARE THE PROPERTY OF SCHNEIDER ELECTRIC AND SHALL NOT BE COPIED, REPRODUCED OR USED IN WHOLE OR IN PART, AS THE BASIS FOR THE MANUFACTURE OR SALE OF ITEMS WITHOUT WRITTEN PERMISSION FROM SCHNEIDER ELECTRIC. THIS DRAWING IS BASED UPON LATEST AVAILABLE INFORMATION AND IS SUBJECT TO CHANGE WITHOUT NOTICE.

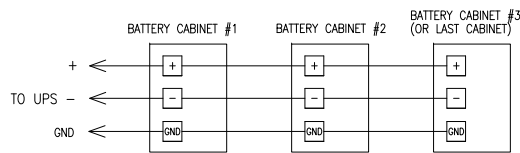


TITLE:
GALAXY 5000
INSTALLATION DRAWINGS, NON-SEISMIC
48" WIDE BATTERY CABINET
INTERNAL VIEW
PROJECT: SUBMITTAL DRAWINGS SHEET 4 OF 5

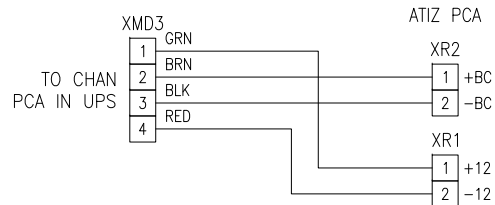
NON-SEISMIC INSTALLATION ONLY

DWG NO:	90-174701-01	REV.	1
DRAWN BY:	K NAGENDRA/S CUNHA	23-OCT-13	THIRD
ENGINEER:	I KENNEDY/S DAS	23-OCT-13	ANGLE
APPROVED BY:	J GOOSSEFF	23-OCT-13	PROJECTION

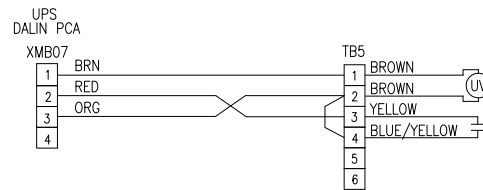
POWER CABLES INTERCONNECTIONS FOR MULTIPLE CABINETS



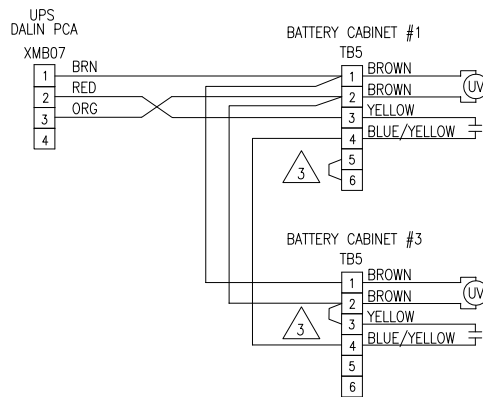
ATIZ CONNECTIONS



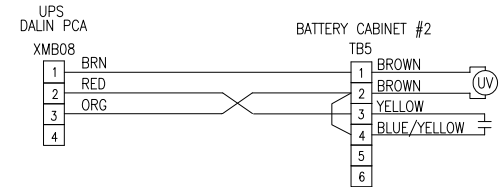
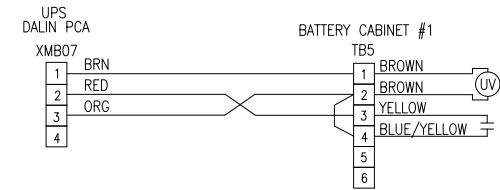
CONTROL CABLES INTERCONNECTIONS



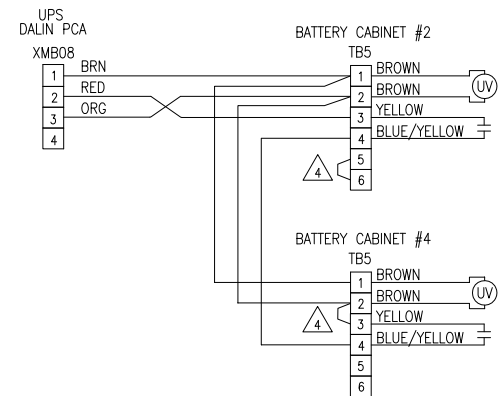
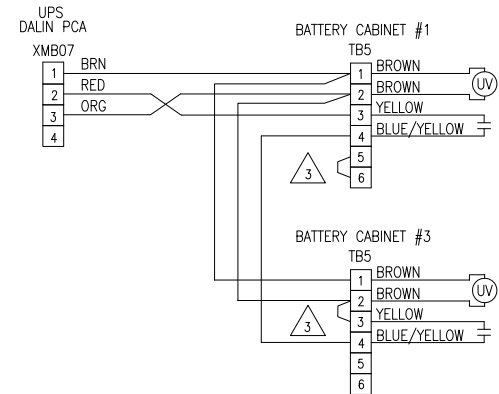
ONE BATTERY CABINET



THREE BATTERY CABINETS



TWO BATTERY CABINETS



FOUR BATTERY CABINETS

NOTES: UNLESS OTHERWISE SPECIFIED.

1. INSTALLATION SHALL COMPLY WITH ALL APPLICABLE NATIONAL AND LOCAL CODES.
2. PLEASE REFER TO PRODUCT MANUALS FOR ADDITIONAL DETAILS.
- △ 3. WHEN FIELD INSTALLING THREE OR FOUR BATTERY CABINETS:
ON BATTERY CABINET #1, MOVE JUMPER TO PINS 5 AND 6.
ON BATTERY CABINET #3, MOVE JUMPER TO PINS 2 AND 3.
- △ 4. WHEN FIELD INSTALLING FOUR BATTERY CABINETS:
ON BATTERY CABINET #2, MOVE JUMPER TO PINS 5 AND 6.
ON BATTERY CABINET #4, MOVE JUMPER TO PINS 2 AND 3.
5. MOUNT ATIZ PCA IN FIRST BATTERY CABINET.
6. FOLLOW POWER AND CONTROL CABLES ROUTING AS SHOWN FOR MULTIPLE ADJACENT CABINETS, CABLES INTERCONNECT THROUGH MODULE OF CABINETS.
7. CB UV COIL CURRENT: 69ma
CONN. XMB07/8 CURRENT SUPPLY : 200mA EACH.

THIS DRAWING AND SPECIFICATIONS HEREIN ARE THE PROPERTY OF SCHNEIDER ELECTRIC AND SHALL NOT BE COPIED, REPRODUCED OR USED IN WHOLE OR IN PART, AS THE BASIS FOR THE MANUFACTURE OR SALE OF ITEMS WITHOUT WRITTEN PERMISSION FROM SCHNEIDER ELECTRIC. THIS DRAWING IS BASED UPON LATEST AVAILABLE INFORMATION AND IS SUBJECT TO CHANGE WITHOUT NOTICE.

Schneider Electric

TITLE:
GALAXY 5000
INSTALLATION DRAWINGS, NON-SEISMIC
48" WIDE BATTERY CABINET
CONNECTION DETAILS
PROJECT: SUBMITTAL DRAWINGS SHEET 5 OF 5

DWG NO: 90-174701-01
REV. 2
DRAWN BY: K N/S CUNHA/BALA 01-AUG-17
ENGINEER: I KENNEDY/S DAS 01-AUG-17
APPROVED BY: J GOOSSEFF 01-AUG-17
THIRD ANGLE PROJECTION

NON-SEISMIC INSTALLATION ONLY