

**NOTES: UNLESS OTHERWISE SPECIFIED.**

1. INSTALLATION SHALL COMPLY WITH ALL APPLICABLE NATIONAL, STATE AND LOCAL CODES.
2. PLEASE REFER TO PRODUCT MANUALS FOR ADDITIONAL DETAILS.
3. ALL DIMENSIONS ARE IN INCHES [MILLIMETERS].
4. RECOMMENDED CLEARANCE IS SUBJECT TO NATIONAL AND LOCAL CODES
  - 39.4 [1000] RECOMMENDED FRONT CLEARANCE.
  - 3.9 [100] RECOMMENDED REAR CLEARANCE.
  - 20.6 [523] RECOMMENDED TOP CLEARANCE FOR VENTILATION.
5. CABLE ENTRY IS FROM TOP, BOTTOM OR THROUGH REAR CONDUIT BOX.
6. NET WEIGHT OF THE UNIT 268 lbs [122 kg].
7. COLOR - GREY METALLIC

THIS DRAWING AND SPECIFICATIONS HEREIN ARE THE PROPERTY OF SCHNEIDER ELECTRIC AND SHALL NOT BE COPIED, REPRODUCED OR USED IN WHOLE OR IN PART, AS THE BASIS FOR THE MANUFACTURE OR SALE OF ITEMS WITHOUT WRITTEN PERMISSION FROM SCHNEIDER ELECTRIC. THIS DRAWING IS BASED UPON LATEST AVAILABLE INFORMATION AND IS SUBJECT TO CHANGE WITHOUT NOTICE.



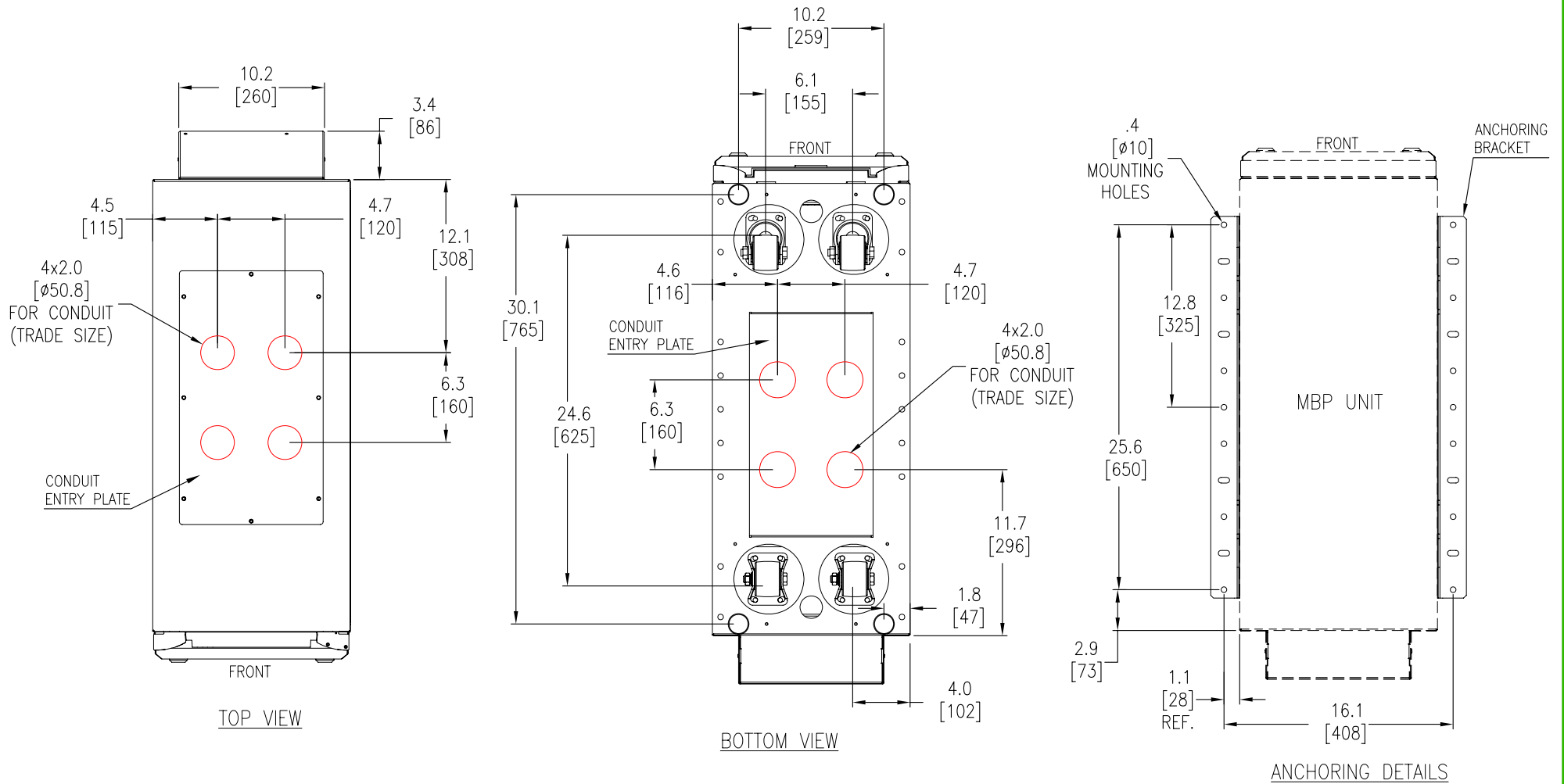
TITLE: MGE GALAXY 3500  
MAINTENANCE BYPASS CABINET  
10-15kVA, 208V  
FLOORMOUNT  
MAIN MECHANICAL

PROJECT: SUBMITTAL DRAWINGS SHEET 1 OF 3

DWG NO: G35TSBP10K15F

DRAWN BY: K.NAGENDRA	05-OCT-09	THIRD ANGLE PROJECTION
ENGINEER: I.KENNEDY	05-OCT-09	
APPROVED BY: B.SHERIDAN	05-OCT-09	

REV. 0



NOTES: UNLESS OTHERWISE SPECIFIED.

1. INSTALLATION SHALL COMPLY WITH ALL APPLICABLE NATIONAL, STATE AND LOCAL CODES.
2. PLEASE REFER TO PRODUCT MANUALS FOR ADDITIONAL DETAILS.
3. ALL DIMENSIONS ARE IN INCHES [MILLIMETERS].
4. PLEASE REFER TO DOCUMENT G35TSA FOR SEISMIC ANCHORING DETAILS.

THIS DRAWING AND SPECIFICATIONS HEREIN ARE THE PROPERTY OF SCHNEIDER ELECTRIC AND SHALL NOT BE COPIED, REPRODUCED OR USED IN WHOLE OR IN PART, AS THE BASIS FOR THE MANUFACTURE OR SALE OF ITEMS WITHOUT WRITTEN PERMISSION FROM SCHNEIDER ELECTRIC. THIS DRAWING IS BASED UPON LATEST AVAILABLE INFORMATION AND IS SUBJECT TO CHANGE WITHOUT NOTICE.

**Schneider Electric**

TITLE: MGE GALAXY 3500  
MAINTENANCE BYPASS CABINET  
10-15kVA, 208V  
FLOORMOUNT  
TOP & BOTTOM VIEW

PROJECT: SUBMITTAL DRAWINGS SHEET 2 OF 3

DWG NO: G35TSBP10K15F

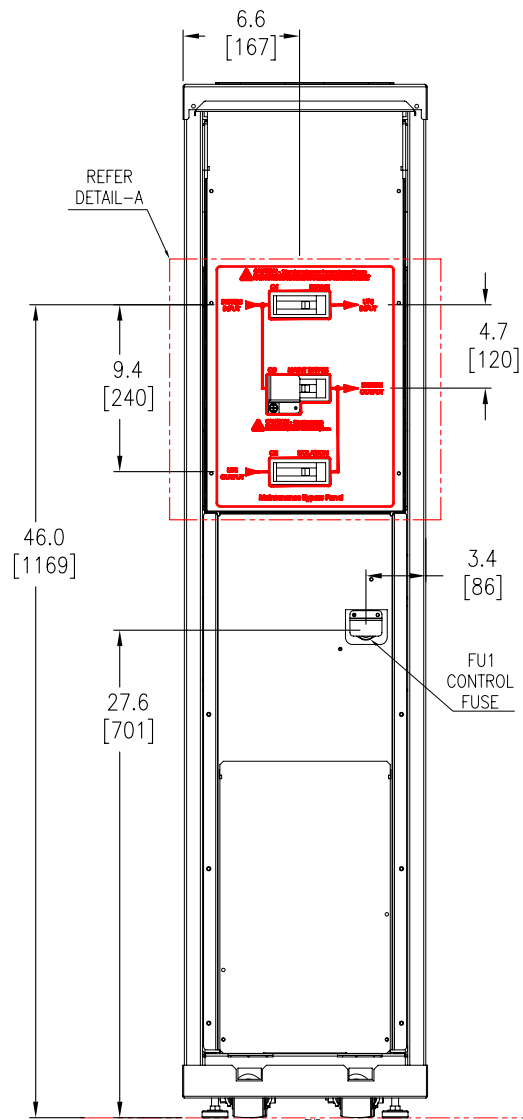
DRAWN BY: K.NAGENDRA 05-OCT-09

ENGINEER: I.KENNEDY 05-OCT-09

APPROVED BY: B.SHERIDAN 05-OCT-09

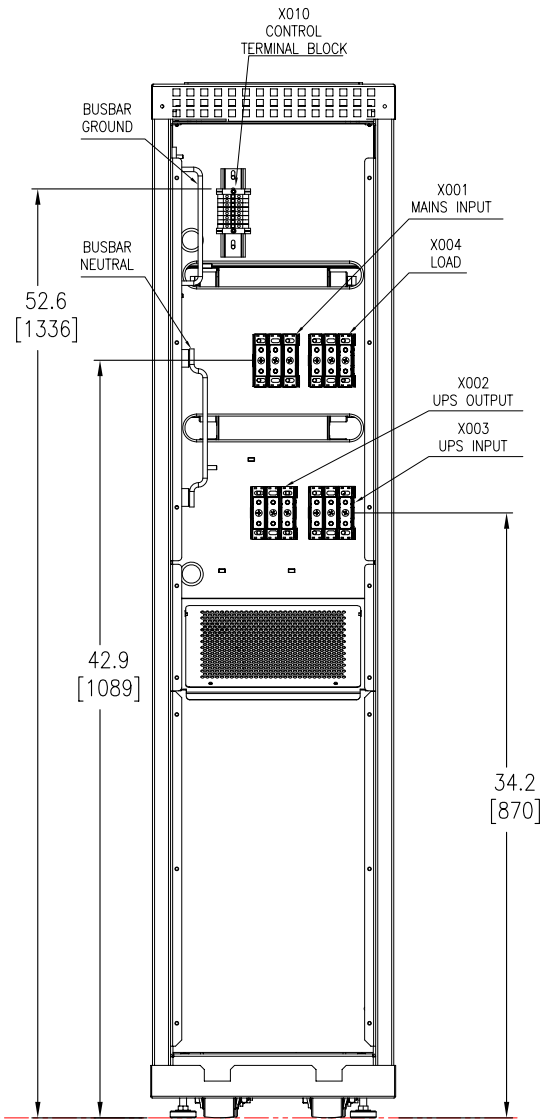
REV. 0

THIRD ANGLE PROJECTION

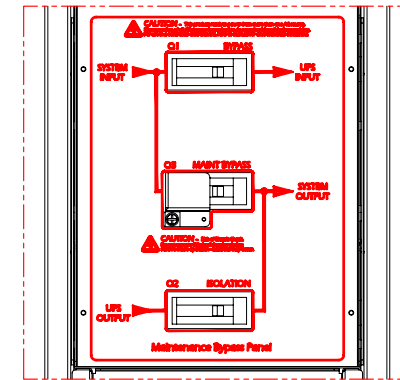


INTERNAL FRONT VIEW  
(FRONT PANEL REMOVED)

INTERNAL FRONT VIEW  
(FRONT PANEL AND DEAD FRONT  
COVERS REMOVED)



INTERNAL REAR VIEW  
(REAR COVERS REMOVED)



DETAIL-A  
(Enlarged View)

NOTES: UNLESS OTHERWISE SPECIFIED.

1. INSTALLATION SHALL COMPLY WITH ALL APPLICABLE NATIONAL, STATE AND LOCAL CODES.
2. PLEASE REFER TO PRODUCT MANUALS FOR ADDITIONAL DETAILS.
3. ALL DIMENSIONS ARE IN INCHES [MILLIMETERS].
4. ALL WIRING MUST BE 3 PHASE, 4 WIRE+ GROUND PROVIDED BY WYE-SOURCE
5. Q1, Q2 AND Q3 = 60A.
6. USE COPPER CONDUCTORS RATED 75° C MINIMUM.
7. TORQUE VALUES:

TERMINAL BLOCKS (M6) 6.89 Nm (61 lbs-in)  
 TERMINAL BLOCKS (M10) 25.7 Nm (227 lbs-in)  
 BUSBARS (M5 OR M6) 11.3 Nm (100 lbs-in)

THIS DRAWING AND SPECIFICATIONS HEREIN ARE THE PROPERTY OF SCHNEIDER ELECTRIC AND SHALL NOT BE COPIED, REPRODUCED OR USED IN WHOLE OR IN PART, AS THE BASIS FOR THE MANUFACTURE OR SALE OF ITEMS WITHOUT WRITTEN PERMISSION FROM SCHNEIDER ELECTRIC. THIS DRAWING IS BASED UPON LATEST AVAILABLE INFORMATION AND IS SUBJECT TO CHANGE WITHOUT NOTICE.



TITLE: MGE GALAXY 3500  
 MAINTENANCE BYPASS CABINET  
 10-15kVA, 208V  
 FLOORMOUNT  
 INTERNAL VIEW

PROJECT: SUBMITTAL DRAWINGS SHEET 3 OF 3

DWG NO: G35TSBP10K15F

DRAWN BY: K.NAGENDRA 05-OCT-09

ENGINEER: I.KENNEDY 05-OCT-09

APPROVED BY: B.SHERIDAN 05-OCT-09

REV. 0

THIRD ANGLE PROJECTION