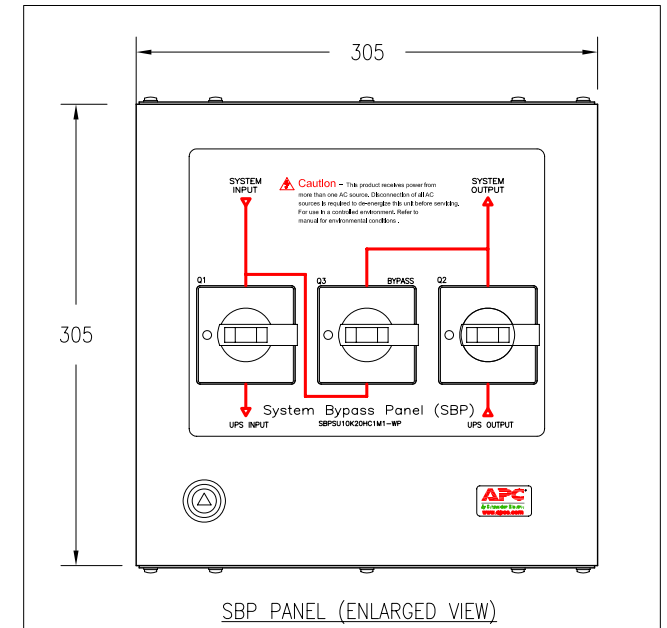


LEFT SIDE VIEW  
(SBP side view not shown)



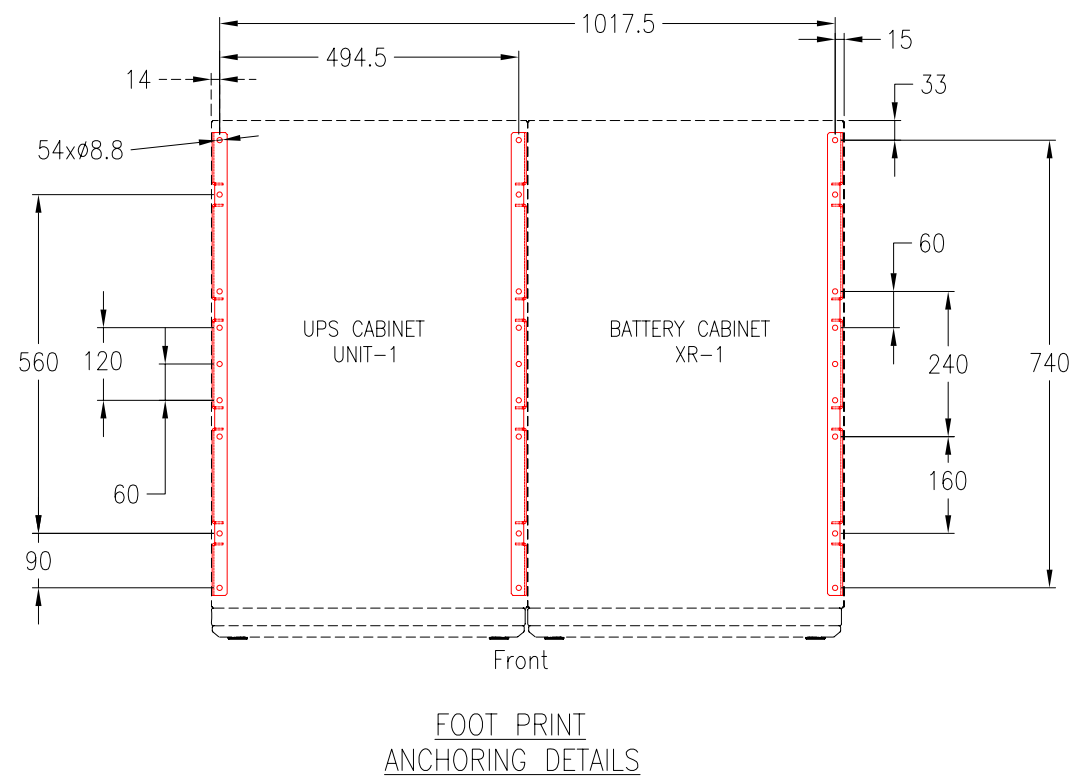
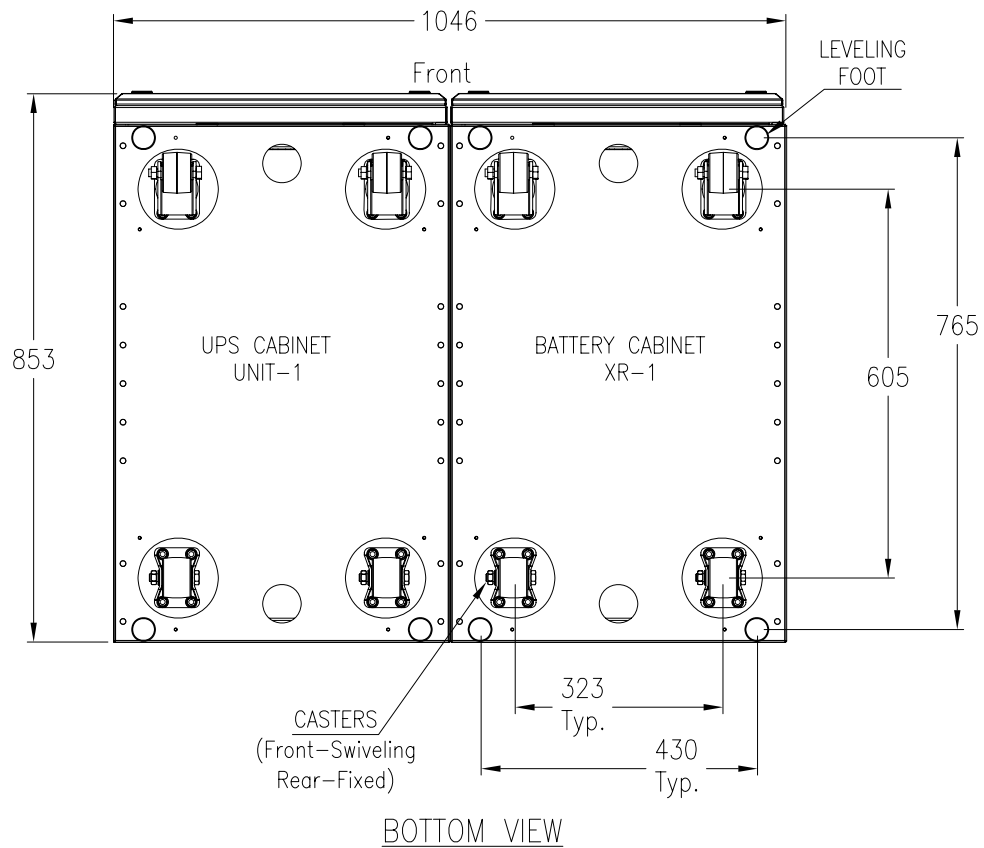
**NOTES:**

1. INSTALLATION SHALL COMPLY WITH ALL APPLICABLE NATIONAL, STATE AND LOCAL ELECTRICAL REGULATIONS.
2. PLEASE REFER TO PRODUCT MANUALS FOR ADDITIONAL DETAILS.
3. ALL DIMENSIONS ARE IN MILLIMETERS, UNLESS OTHERWISE SPECIFIED.
4. CABLE ENTRY IS FROM REAR SIDE OF THE UNIT OR THROUGH CONDUIT BOX(OPTIONAL).
- △ 5. MAXIMUM ALLOWABLE CABLE LENGTH BETWEEN SBP & UPS = 30mts.
6. FRONT AND REAR SERVICE ACCESS IS REQUIRED.
7. NET WEIGHT OF UNIT, CONFIGURATION AND RUNTIME DETAILS REFER TO PAGE-3
8. OPTIONAL BAYING KIT DETAILS:  
G35TOPT004 - UPS TO XR  
G35TOPT005 - XR TO XR

THIS DRAWING AND SPECIFICATIONS HEREIN ARE THE PROPERTY OF SCHNEIDER ELECTRIC AND SHALL NOT BE COPIED, REPRODUCED OR USED IN WHOLE OR IN PART, AS THE BASIS FOR THE MANUFACTURE OR SALE OF ITEMS WITHOUT WRITTEN PERMISSION FROM SCHNEIDER ELECTRIC. THIS DRAWING IS BASED UPON LATEST AVAILABLE INFORMATION AND IS SUBJECT TO CHANGE WITHOUT NOTICE.



TITLE:	MGE GALAXY 3500 10-40kVA 1 MODULE, 400V, WITH 1-BATTERY CABINET GENERAL ARRANGEMENT	DWG NO:	G35T10K40HW1B1SBP	REV:	0
PROJECT: SUBMITTAL DRAWINGS	SHEET 1 OF 3	DRAWN:	K NAGENDRA	23-JUL-09	FIRST ANGLE PROJECTION
		ENGINEER:	I.KENNEDY	23-JUL-09	
		APPROVED:	C.LARSEN	23-JUL-09	



**NOTES:**

1. INSTALLATION SHALL COMPLY WITH ALL APPLICABLE NATIONAL, STATE AND LOCAL ELECTRICAL REGULATIONS.
2. PLEASE REFER TO PRODUCT MANUALS FOR ADDITIONAL DETAILS.
3. ALL DIMENSIONS ARE IN MILLIMETERS. UNLESS OTHERWISE SPECIFIED.

THIS DRAWING AND SPECIFICATIONS HEREIN ARE THE PROPERTY OF SCHNEIDER ELECTRIC AND SHALL NOT BE COPIED, REPRODUCED OR USED IN WHOLE OR IN PART, AS THE BASIS FOR THE MANUFACTURE OR SALE OF ITEMS WITHOUT WRITTEN PERMISSION FROM SCHNEIDER ELECTRIC. THIS DRAWING IS BASED UPON LATEST AVAILABLE INFORMATION AND IS SUBJECT TO CHANGE WITHOUT NOTICE.



TITLE:  
MGE GALAXY 3500  
10-40kVA 1 MODULE, 400V,  
WITH 1-BATTERY CABINET  
BOTTOM VIEW AND ANCHORING DETAILS  
PROJECT: SUBMITTAL DRAWINGS SHEET 2 OF 3

DWG NO: G35T10K40HW1B1SBP  
DRAWN: K NAGENDRA 23-JUL-09  
ENGINEER: I.KENNEDY 23-JUL-09  
APPROVED: C.LARSEN 23-JUL-09

REV: 0  
FIRST ANGLE PROJECTION

**Weight and Runtime details for 1 module UPS (10-40kVA) with 1 XR Battery Cabinet**

Battery position	No. of bat shelves	G35T10KH1B4S		G35T10KH2B4S		G35T10KH3B4S		G35T10KH4B4S		G35T15KH2B4S		G35T15KH3B4S		G35T15KH4B4S		G35T20KH2B4S		G35T20KH3B4S		G35T20KH4B4S	
		Net Solution Weight (kg)	Runtime in Min	Net Solution Weight (kg)	Runtime in Min	Net Solution Weight (kg)	Runtime in Min	Net Solution Weight (kg)	Runtime in Min	Net Solution Weight (kg)	Runtime in Min	Net Solution Weight (kg)	Runtime in Min	Net Solution Weight (kg)	Runtime in Min	Net Solution Weight (kg)	Runtime in Min	Net Solution Weight (kg)	Runtime in Min	Net Solution Weight (kg)	Runtime in Min
UPS	1	351	6	n.a	n.a.	n.a	n.a.	n.a	n.a.	n.a	n.a.	n.a	n.a.	n.a	n.a.	n.a	n.a.	n.a	n.a.	n.a	n.a.
UPS	2	443	18	443	18	n.a	n.a.	n.a	n.a.	443	10	n.a	n.a.	n.a	n.a.	443	6	n.a	n.a.	n.a	n.a.
UPS	3	535	32	535	32	535	32	n.a	n.a.	535	18	535	18	n.a	n.a.	535	12	535	12	n.a	n.a.
UPS	4	627	47	627	47	627	47	627	47	627	27	627	27	627	27	627	18	627	18	627	18
XR1	5	919	62	919	62	919	62	919	62	919	37	919	37	919	37	919	25	919	25	919	25
XR1	6	1015	78	1015	78	1015	78	1015	78	1015	47	1015	47	1015	47	1015	32	1015	32	1015	32
XR1	7	1111	95	1111	95	1111	95	1111	95	1111	57	1111	57	1111	57	1111	40	1111	40	1111	40
XR1	8	1207	112	1207	112	1207	112	1207	112	1207	68	1207	68	1207	68	1207	47	1207	47	1207	47
XR1	9	1303	130	1303	130	1303	130	1303	130	1303	79	1303	79	1303	79	1303	55	1303	55	1303	55
<b>XR1</b>	<b>10</b>	<b>1399</b>	<b>148</b>	<b>1399</b>	<b>148</b>	<b>1399</b>	<b>148</b>	<b>1399</b>	<b>148</b>	<b>1399</b>	<b>90</b>	<b>1399</b>	<b>90</b>	<b>1399</b>	<b>90</b>	<b>1399</b>	<b>63</b>	<b>1399</b>	<b>63</b>	<b>1399</b>	<b>63</b>
XR2	11	1691	166	1691	166	1691	166	1691	166	1691	101	1691	101	1691	101	1691	71	1691	71	1691	71
XR2	12	1787	185	1787	185	1787	185	1787	185	1787	113	1787	113	1787	113	1787	79	1787	79	1787	79
XR2	13	1883	204	1883	204	1883	204	1883	204	1883	124	1883	124	1883	124	1883	87	1883	87	1883	87
XR2	14	1979	223	1979	223	1979	223	1979	223	1979	136	1979	136	1979	136	1979	96	1979	96	1979	96
XR2	15	2075	243	2075	243	2075	243	2075	243	2075	148	2075	148	2075	148	2075	105	2075	105	2075	105
XR2	16	2171	262	2171	262	2171	262	2171	262	2171	161	2171	161	2171	161	2171	113	2171	113	2171	113
XR3	17	2463	282	2463	282	2463	282	2463	282	2463	173	2463	173	2463	173	2463	122	2463	122	2463	122
XR3	18	2559	303	2559	303	2559	303	2559	303	2559	185	2559	185	2559	185	2559	131	2559	131	2559	131
XR3	19	2655	323	2655	323	2655	323	2655	323	2655	198	2655	198	2655	198	2655	140	2655	140	2655	140
XR3	20	2751	344	2751	344	2751	344	2751	344	2751	211	2751	211	2751	211	2751	149	2751	149	2751	149
XR3	21	2847	365	2847	365	2847	365	2847	365	2847	224	2847	224	2847	224	2847	158	2847	158	2847	158
XR3	22	2943	386	2943	386	2943	386	2943	386	2943	237	2943	237	2943	237	2943	168	2943	168	2943	168
XR4	23	3235	408	3235	408	3235	408	3235	408	3235	250	3235	250	3235	250	3235	177	3235	177	3235	177
XR4	24	3331	429	3331	429	3331	429	3331	429	3331	263	3331	263	3331	263	3331	187	3331	187	3331	187
XR4	25	3427	451	3427	451	3427	451	3427	451	3427	277	3427	277	3427	277	3427	196	3427	196	3427	196
XR4	26	3523	473	3523	473	3523	473	3523	473	3523	290	3523	290	3523	290	3523	206	3523	206	3523	206
XR4	27	3619	495	3619	495	3619	495	3619	495	3619	304	3619	304	3619	304	3619	215	3619	215	3619	215
XR4	28	3715	517	3715	517	3715	517	3715	517	3715	318	3715	318	3715	318	3715	225	3715	225	3715	225

3

**NOTES:**

1. INSTALLATION SHALL COMPLY WITH ALL APPLICABLE NATIONAL, STATE AND LOCAL ELECTRICAL REGULATIONS.
2. PLEASE REFER TO PRODUCT MANUALS FOR ADDITIONAL DETAILS.
3. CONFIGURATION REPRESENTED IN THIS DRAWING IS HIGHLIGHTED IN ITALIC BOLD TEXT.
4. WEIGHT OF SBP IS NOT INCLUDED IN THIS SOLUTION WEIGHT TABLE.

THIS DRAWING AND SPECIFICATIONS HEREIN ARE THE PROPERTY OF SCHNEIDER ELECTRIC AND SHALL NOT BE COPIED, REPRODUCED OR USED IN WHOLE OR IN PART, AS THE BASIS FOR THE MANUFACTURE OR SALE OF ITEMS WITHOUT WRITTEN PERMISSION FROM SCHNEIDER ELECTRIC. THIS DRAWING IS BASED UPON LATEST AVAILABLE INFORMATION AND IS SUBJECT TO CHANGE WITHOUT NOTICE.



TITLE: MGE GALAXY 3500 10-40kVA 1 MODULE, 400V, WITH 1-BATTERY CABINET CONFIGURATION & RUNTIME DETAILS  
PROJECT: SUBMITTAL DRAWINGS SHEET 3 OF 3

DWG NO: G35T10K40HW1B1SBP  
DRAWN: K NAGENDRA 23-JUL-09  
ENGINEER: I.KENNEDY 23-JUL-09  
APPROVED: C.LARSEN 23-JUL-09  
REV: 0  
ANGLE PROJECTION N.A.