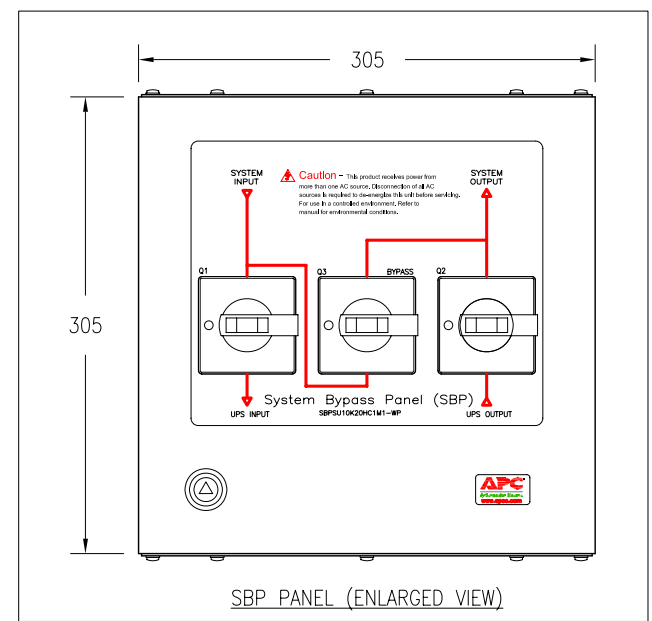


LEFT SIDE VIEW
(SBP side view not shown)

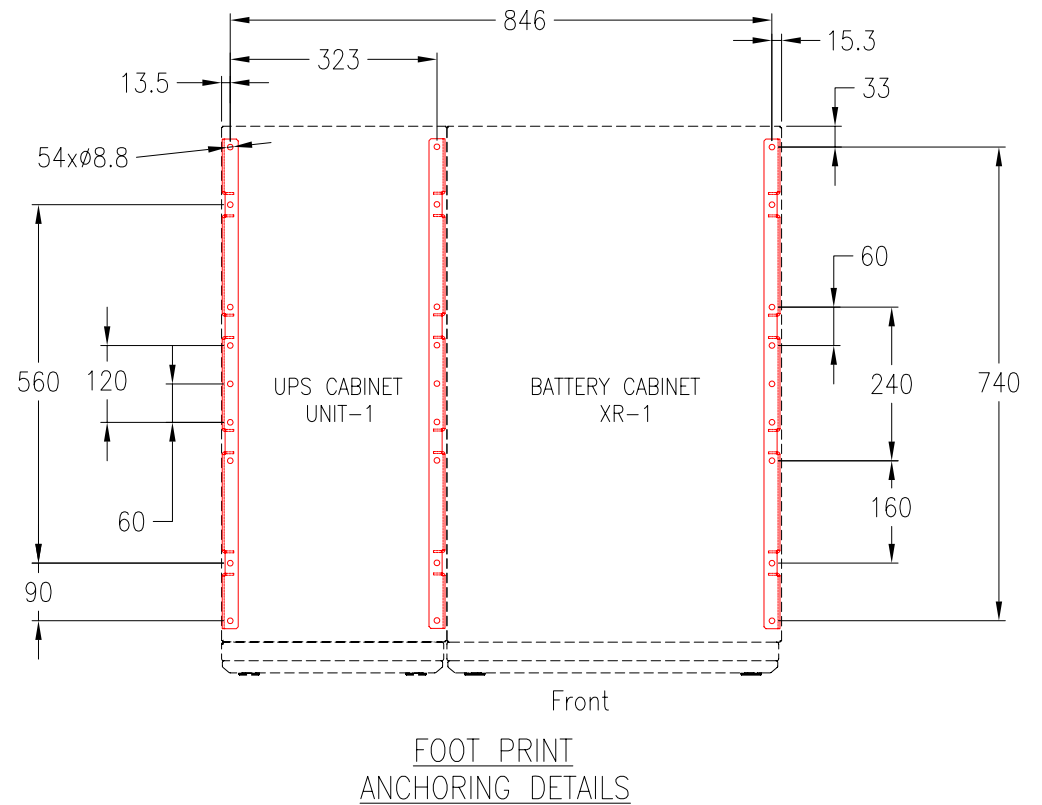
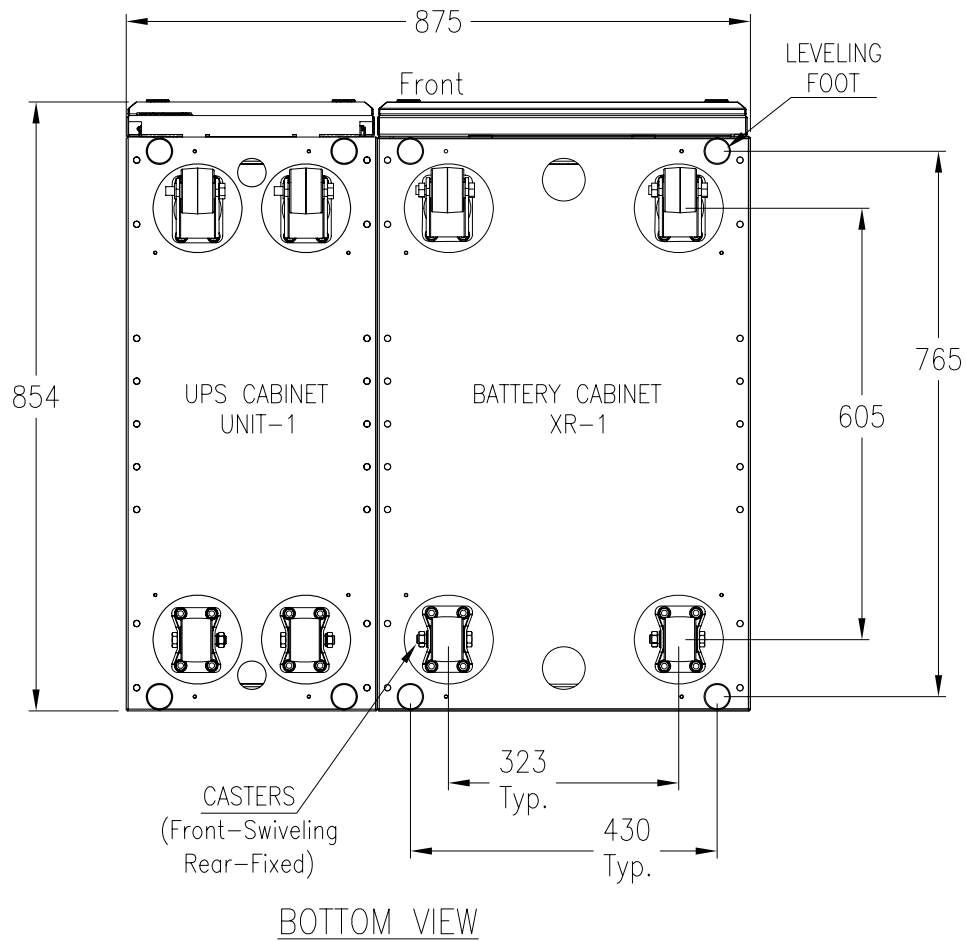


- NOTES:**
1. INSTALLATION SHALL COMPLY WITH ALL APPLICABLE NATIONAL, STATE AND LOCAL ELECTRICAL REGULATIONS.
 2. PLEASE REFER TO PRODUCT MANUALS FOR ADDITIONAL DETAILS.
 3. ALL DIMENSIONS ARE IN MILLIMETERS. UNLESS OTHERWISE SPECIFIED.
 4. CABLE ENTRY IS FROM REAR SIDE OF THE UNIT OR THROUGH CONDUIT BOX(OPTIONAL).
 5. MAXIMUM ALLOWABLE CABLE LENGTH BETWEEN SBP & UPS = 30mts.
 6. FRONT AND REAR SERVICE ACCESS IS REQUIRED.
 7. NET WEIGHT OF UNIT, CONFIGURATION AND RUNTIME DETAILS REFER TO PAGE-4
 8. OPTIONAL BAYING KIT DETAILS:
G35TOPT004 - UPS TO XR
G35TOPT005 - XR TO XR

THIS DRAWING AND SPECIFICATIONS HEREIN ARE THE PROPERTY OF SCHNEIDER ELECTRIC AND SHALL NOT BE COPIED, REPRODUCED OR USED IN WHOLE OR IN PART, AS THE BASIS FOR THE MANUFACTURE OR SALE OF ITEMS WITHOUT WRITTEN PERMISSION FROM SCHNEIDER ELECTRIC. THIS DRAWING IS BASED UPON LATEST AVAILABLE INFORMATION AND IS SUBJECT TO CHANGE WITHOUT NOTICE.



TITLE: MGE GALAXY 3500 10-20kVA 1 MODULE, 400V, WITH 1-BATTERY CABINET GENERAL ARRANGEMENT		DWG NO: G35T10K20HN1B1SBP	REV: 0
PROJECT: SUBMITTAL DRAWINGS	SHEET 1 OF 3	DRAWN: C KRISHNA	23-JUL-09
		ENGINEER: I.KENNEDY	23-JUL-09
		APPROVED: CLARSEN	23-JUL-09
			FIRST ANGLE PROJECTION



NOTES:

1. INSTALLATION SHALL COMPLY WITH ALL APPLICABLE NATIONAL, STATE AND LOCAL ELECTRICAL REGULATIONS.
2. PLEASE REFER TO PRODUCT MANUALS FOR ADDITIONAL DETAILS.
3. ALL DIMENSIONS ARE IN MILLIMETERS, UNLESS OTHERWISE SPECIFIED.

THIS DRAWING AND SPECIFICATIONS HEREIN ARE THE PROPERTY OF SCHNEIDER ELECTRIC AND SHALL NOT BE COPIED, REPRODUCED OR USED IN WHOLE OR IN PART, AS THE BASIS FOR THE MANUFACTURE OR SALE OF ITEMS WITHOUT WRITTEN PERMISSION FROM SCHNEIDER ELECTRIC. THIS DRAWING IS BASED UPON LATEST AVAILABLE INFORMATION AND IS SUBJECT TO CHANGE WITHOUT NOTICE.



TITLE:
MGE GALAXY 3500
10-20kVA 1 MODULE, 400V,
WITH 1-BATTERY CABINET
BOTTOM VIEW AND ANCHORING DETAILS

PROJECT: SUBMITTAL DRAWINGS SHEET 2 OF 3

DWG NO:	G35T10K20HN1B1SBP	REV:	0
DRAWN:	C KRISHNA	23-JUL-09	FIRST ANGLE PROJECTION
ENGINEER:	I.KENNEDY	23-JUL-09	
APPROVED:	C.LARSEN	23-JUL-09	

Weight and Runtime details for 1 module UPS (10-20kVA) with 1 XR Battery Cabinet per UPS

Battery position	No. of bat shelves	G35T10KH1B2S		G35T10KH2B2S		G35T15KH2B2S		G35T20KH2B2S	
		Net Solution Weight (kg)	Runtime in Min	Net Solution Weight (kg)	Runtime in Min	Net Solution Weight (kg)	Runtime in Min	Net Solution Weight (kg)	Runtime in Min
UPS	1	214	6	n.a	n.a	n.a	n.a	n.a	n.a.
UPS	2	306	18	306	18	402	10	402	6
XR1	3	598	32	598	32	694	18	694	12
XR1	4	694	47	694	47	790	27	790	18
XR1	5	790	62	790	62	886	37	886	25
XR1	6	886	78	886	78	982	47	982	32
XR1	7	982	95	982	95	1078	57	1078	40
XR1	8	1078	112	1078	112	1174	68	1174	47
XR2	9	1370	130	1370	130	1466	79	1466	55
XR2	10	1466	148	1466	148	1562	90	1562	63
XR2	11	1562	166	1562	166	1658	101	1658	71
XR2	12	1658	185	1658	185	1754	113	1754	79
XR2	13	1754	204	1754	204	1850	124	1850	87
XR2	14	1850	223	1850	223	1946	136	1946	96
XR3	15	2142	243	2142	243	2238	148	2238	105
XR3	16	2238	262	2238	262	2334	161	2334	113
XR3	17	2334	282	2334	282	2430	173	2430	122
XR3	18	2430	303	2430	303	2526	185	2526	131
XR3	19	2526	323	2526	323	2622	198	2622	140
XR3	20	2622	344	2622	344	2718	211	2718	149
XR4	21	2914	365	2914	365	3010	224	3010	158
XR4	22	3010	386	3010	386	3106	237	3106	168
XR4	23	3106	408	3106	408	3202	250	3202	177
XR4	24	3202	429	3202	429	3298	263	3298	187
XR4	25	3298	451	3298	451	3394	277	3394	196
XR4	26	3394	473	3394	473	3490	290	3490	206

3

NOTES:

1. INSTALLATION SHALL COMPLY WITH ALL APPLICABLE NATIONAL, STATE AND LOCAL ELECTRICAL REGULATIONS.
2. PLEASE REFER TO PRODUCT MANUALS FOR ADDITIONAL DETAILS.
3. CONFIGURATION REPRESENTED IN THIS DRAWING IS HIGHLIGHTED IN ITALIC BOLD TEXT.
4. WEIGHT OF SBP IS NOT INCLUDED IN THIS SOLUTION WEIGHT TABLE.

THIS DRAWING AND SPECIFICATIONS HEREIN ARE THE PROPERTY OF SCHNEIDER ELECTRIC AND SHALL NOT BE COPIED, REPRODUCED OR USED IN WHOLE OR IN PART, AS THE BASIS FOR THE MANUFACTURE OR SALE OF ITEMS WITHOUT WRITTEN PERMISSION FROM SCHNEIDER ELECTRIC. THIS DRAWING IS BASED UPON LATEST AVAILABLE INFORMATION AND IS SUBJECT TO CHANGE WITHOUT NOTICE.



TITLE:	MGE GALAXY 3500 10-20kVA 1 MODULE, 400V, WITH -BATTERY CABINET CONFIGURATION & RUNTIME DETAILS		DWG NO:	G35T10K20HN1B1SBP	REV.	0
PROJECT: SUBMITTAL DRAWINGS	SHEET 3 OF 3	APPROVED:	C. KRISHNA	23-JUL-09	ANGLE	PROJECTION
			I. KENNEDY	23-JUL-09	N.A.	
			C. LARSEN	23-JUL-09		