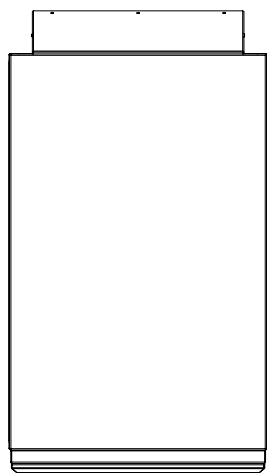


FRONT VIEW

LEFT SIDE VIEW

INTERNAL REAR VIEW



TOP VIEW

**NOTES:**

1. INSTALLATION SHALL COMPLY WITH ALL APPLICABLE NATIONAL AND LOCAL ELECTRICAL REGULATIONS.
2. PLEASE REFER TO PRODUCT MANUALS FOR ADDITIONAL DETAILS.
3. ALL DIMENSIONS ARE IN MILLIMETERS UNLESS OTHERWISE SPECIFIED.
4. CABLE ENTRY IS REAR OF UNIT. SEE UNIT WITH OPTIONAL CONDUIT BOX.
5. FRONT AND REAR SERVICE CLEARANCE, TOP COOLING CLEARANCE REQUIRED.
- △ 6. USE FLEXIBLE CONDUIT WITH SUFFICIENT LENGTH TO ALLOW THE UNIT TO BE MOVED OUT FOR SERVICE.
7. ENCLOSURE WEIGHT IS 147kg.
8. COLOR: GREY METALLIC.
9. OPERATING TEMPERATURE: 0°C MIN. TO 40°C MAX.  
RECOMMENDED OPERATING RANGE: 15°C TO 25°C.
- △10. FOR RECOMMENDED TRANSFORMER DETAILS REFER TO SHEET-2.

THIS DRAWING AND SPECIFICATIONS HEREIN ARE THE PROPERTY OF SCHNEIDER ELECTRIC AND SHALL NOT BE COPIED, REPRODUCED OR USED IN WHOLE OR IN PART, AS THE BASIS FOR THE MANUFACTURE OR SALE OF ITEMS WITHOUT WRITTEN PERMISSION FROM SCHNEIDER ELECTRIC. THIS DRAWING IS BASED UPON LATEST AVAILABLE INFORMATION AND IS SUBJECT TO CHANGE WITHOUT NOTICE.



TITLE: MGE Galaxy 3500  
EMPTY FRAME FOR TRANSFORMER  
10-40kVA, 400V, FLOORMOUNT  
MAIN MECHANICAL

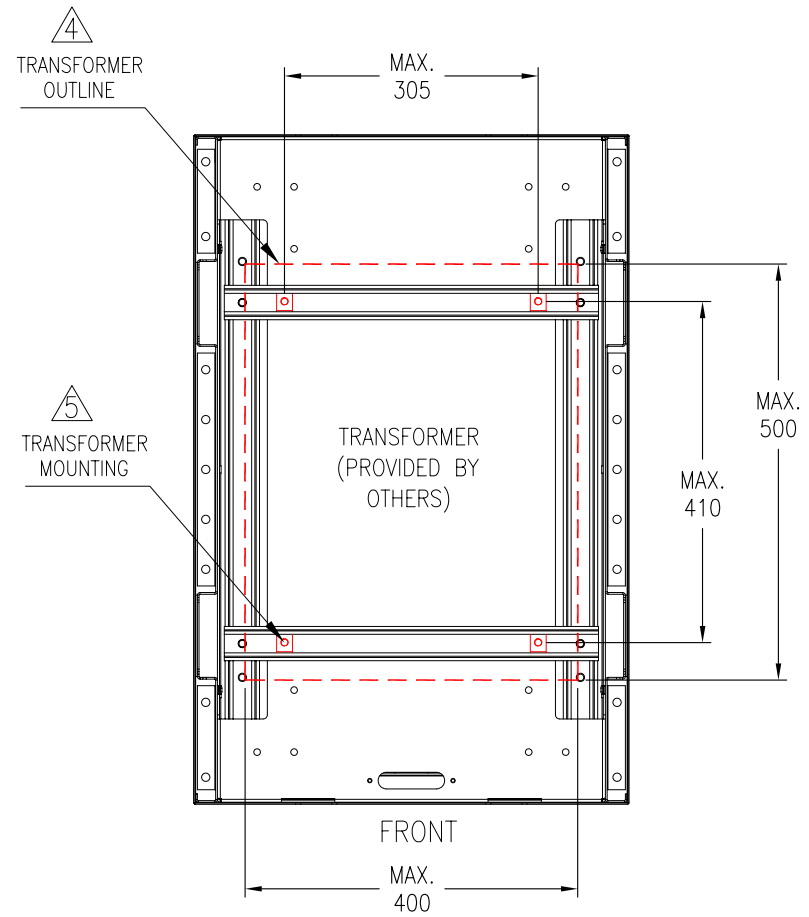
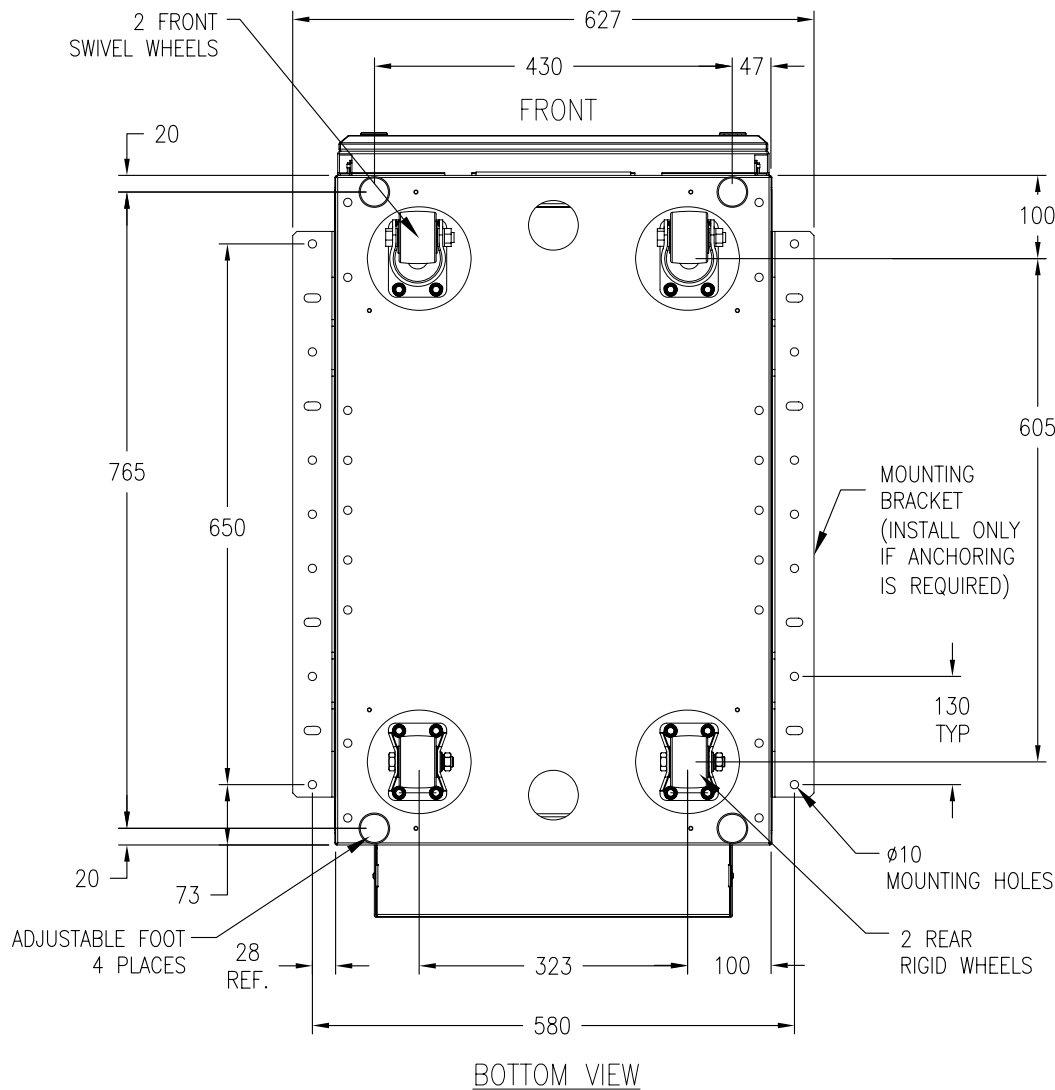
PROJECT: SUBMITTAL DRAWINGS SHEET 1 OF 2

DWG NO: G35TEFXFM10K40H

DRAWN:	K NAGENDRA	30-JUN-09
ENGINEER:	I.KENNEDY	30-JUN-09
APPROVED:	C.LARSEN	30-JUN-09

REV: 0

FIRST ANGLE PROJECTION



- NOTES:
1. INSTALLATION SHALL COMPLY WITH ALL APPLICABLE NATIONAL AND LOCAL ELECTRICAL REGULATIONS.
  2. PLEASE REFER TO PRODUCT MANUALS FOR ADDITIONAL DETAILS.
  3. ALL DIMENSIONS ARE IN MILLIMETERS UNLESS OTHERWISE SPECIFIED.
  - △ 4. THE MAXIMUM RECOMMENDED OVERALL DIMENSIONS FOR THE CUSTOMER PROVIDED TRANSFORMER ARE: 400 mm W X 500 mm D X 600 mm H.
  - △ 5. THE MAXIMUM TRANSFORMER MOUNTING DIMENSIONS ARE: 305 mm W X 410 mm D.
  6. THE HARDWARE PROVIDED IS 4 X M8.
  7. THE MAXIMUM RECOMMENDED WEIGHT FOR THE CUSTOMER PROVIDED TRANSFORMER IS: 500 kg.
  8. FOR A 40kVA UPS, THE RECOMMENDED TRANSFORMER RATING IS 46kVA.
  9. TORQUE VALUE:

TERMINAL BLOCKS (M6)	- 6.89 Nm
TERMINAL BLOCKS (M10)	- 25.7 Nm
BUSBARS (M5 OR M6)	- 11.3 Nm
TRANSFORMER MOUNTING	- 24 Nm

THIS DRAWING AND SPECIFICATIONS HEREIN ARE THE PROPERTY OF SCHNEIDER ELECTRIC AND SHALL NOT BE COPIED, REPRODUCED OR USED IN WHOLE OR IN PART, AS THE BASIS FOR THE MANUFACTURE OR SALE OF ITEMS WITHOUT WRITTEN PERMISSION FROM SCHNEIDER ELECTRIC. THIS DRAWING IS BASED UPON LATEST AVAILABLE INFORMATION AND IS SUBJECT TO CHANGE WITHOUT NOTICE.



TITLE: MGE Galaxy 3500  
EMPTY FRAME FOR TRANSFORMER  
10-40kVA, 400V, FLOORMOUNT  
BOTTOM AND INTERNAL VIEWS

PROJECT: SUBMITTAL DRAWINGS SHEET 2 OF 2

DWG NO:	G35TEFXFM10K40H	REV:	0
DRAWN:	K NAGENDRA	30-JUN-09	FIRST ANGLE PROJECTION
ENGINEER:	I.KENNEDY	30-JUN-09	
APPROVED:	C.LARSEN	30-JUN-09	