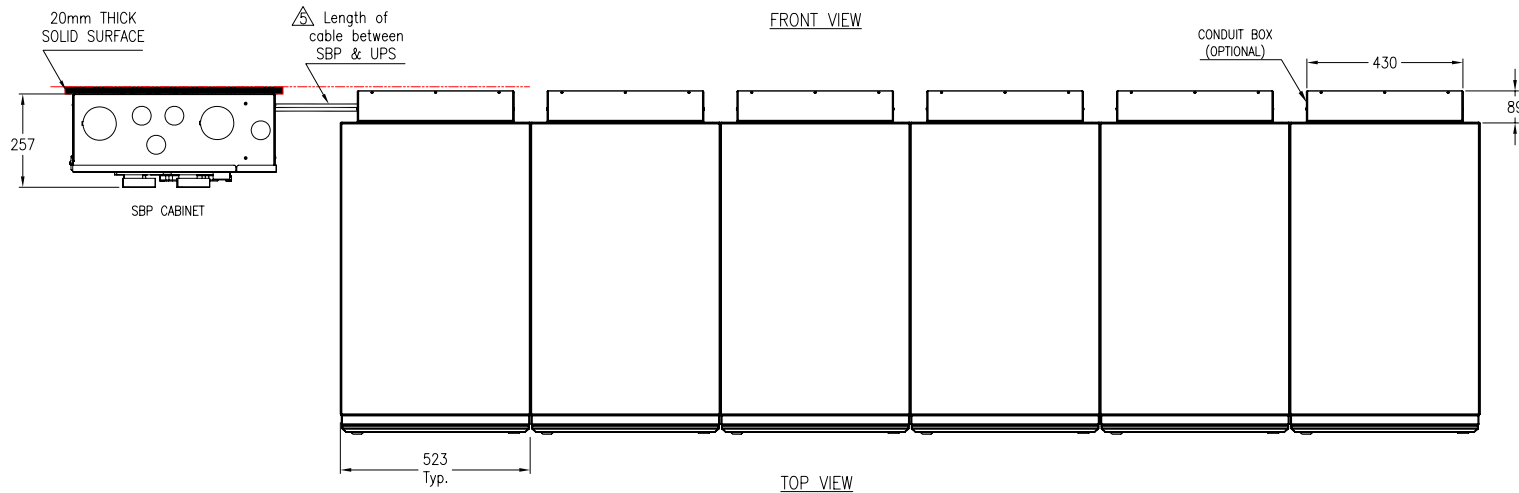


FRONT VIEW

LEFT SIDE VIEW  
(SBP side view not shown)



TOP VIEW

NOTES:

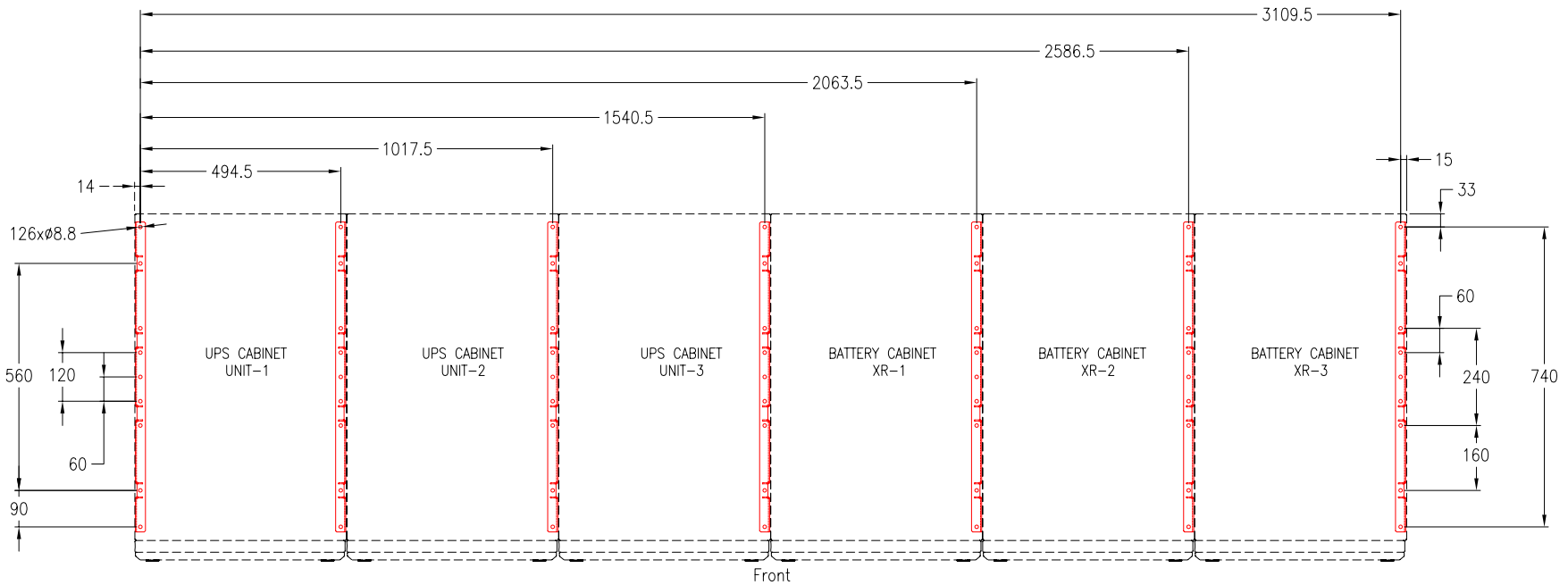
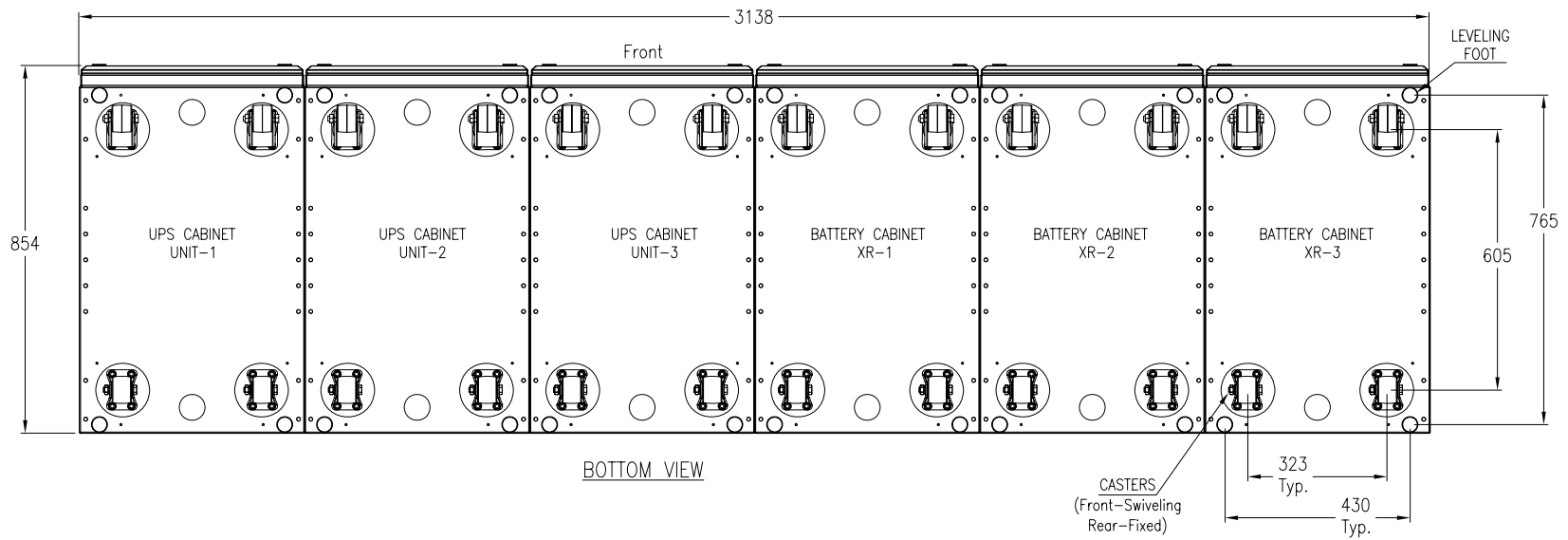
1. INSTALLATION SHALL COMPLY WITH ALL APPLICABLE NATIONAL, STATE AND LOCAL ELECTRICAL REGULATIONS.
2. PLEASE REFER TO PRODUCT MANUALS FOR ADDITIONAL DETAILS.
3. ALL DIMENSIONS ARE IN MILLIMETERS. UNLESS OTHERWISE SPECIFIED.
4. CABLE ENTRY IS FROM REAR SIDE OF THE UNIT OR THROUGH CONDUIT BOX(OPTIONAL).
- △ 5. MAXIMUM ALLOWABLE CABLE LENGTH BETWEEN SBP & UPS = 30mts.
6. FRONT AND REAR SERVICE ACCESS IS REQUIRED.
7. NET WEIGHT OF UNIT, CONFIGURATION AND RUNTIME DETAILS REFER TO PAGE-4
8. OPTIONAL BAYING KIT DETAILS:  
G35TOPT004 – UPS TO XR  
G35TOPT005 – XR TO XR

THIS DRAWING AND SPECIFICATIONS HEREIN ARE THE PROPERTY OF SCHNEIDER ELECTRIC AND SHALL NOT BE COPIED, REPRODUCED OR USED IN WHOLE OR IN PART, AS THE BASIS FOR THE MANUFACTURE OR SALE OF ITEMS WITHOUT WRITTEN PERMISSION FROM SCHNEIDER ELECTRIC. THIS DRAWING IS BASED UPON LATEST AVAILABLE INFORMATION AND IS SUBJECT TO CHANGE WITHOUT NOTICE.



TITLE:	MGE GALAXY 3500 10-40kVA 3 MODULES, 400V, WITH 3-BATTERY CABINETS GENERAL ARRANGEMENT
PROJECT: SUBMITTAL DRAWINGS	SHEET 1 OF 4

DWG NO:	G35T10K40HW3B3SBP	REV:	0
DRAWN:	K NAGENDRA	23-JUL-09	FIRST ANGLE PROJECTION
ENGINEER:	I.KENNEDY	23-JUL-09	
APPROVED:	C.LARSEN	23-JUL-09	



FOOT PRINT  
ANCHORING DETAILS

NOTES:

1. INSTALLATION SHALL COMPLY WITH ALL APPLICABLE NATIONAL, STATE AND LOCAL ELECTRICAL REGULATIONS.
2. PLEASE REFER TO PRODUCT MANUALS FOR ADDITIONAL DETAILS.
3. ALL DIMENSIONS ARE IN MILLIMETERS. UNLESS OTHERWISE SPECIFIED.

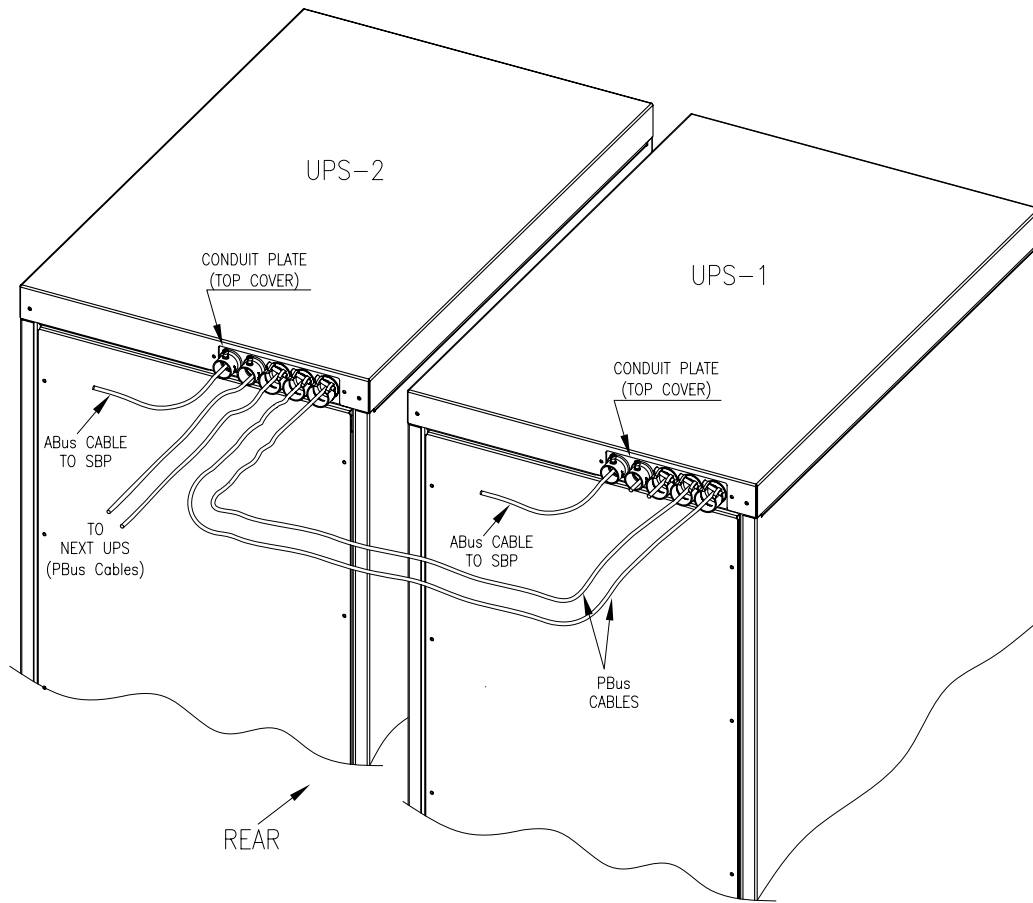
THIS DRAWING AND SPECIFICATIONS HEREIN ARE THE PROPERTY OF SCHNEIDER ELECTRIC AND SHALL NOT BE COPIED, REPRODUCED OR USED IN WHOLE OR IN PART, AS THE BASIS FOR THE MANUFACTURE OR SALE OF ITEMS WITHOUT WRITTEN PERMISSION FROM SCHNEIDER ELECTRIC. THIS DRAWING IS BASED UPON LATEST AVAILABLE INFORMATION AND IS SUBJECT TO CHANGE WITHOUT NOTICE.



TITLE:  
MGE GALAXY 3500  
10-40kVA 3 MODULES, 400V,  
WITH 3-BATTERY CABINETS  
BOTTOM VIEW AND ANCHORING DETAILS  
PROJECT: SUBMITTAL DRAWINGS SHEET 2 OF 4

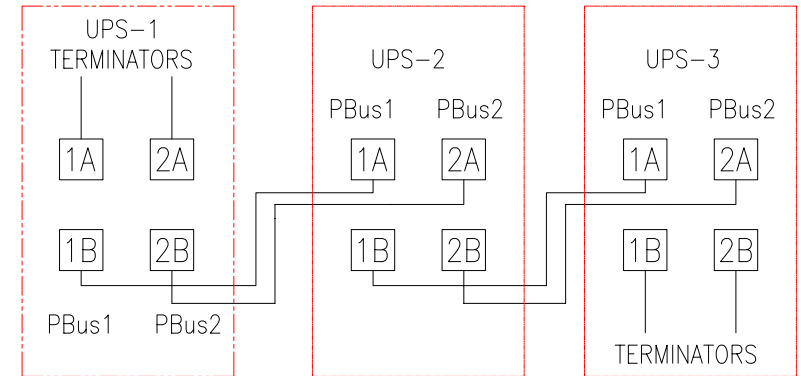
DWG NO: G35T10K40HW3B3SBP  
DRAWN: K NAGENDRA  
ENGINEER: I.KENNEDY  
APPROVED: C.LARSEN

REV: 0  
FIRST ANGLE PROJECTION



PARALLEL CONFIGURATION WIRING DETAILS  
(ISOMETRIC VIEW)

PBus CABLE LAYOUT



NOTES:

1. INSTALLATION SHALL COMPLY WITH ALL APPLICABLE NATIONAL, STATE AND LOCAL ELECTRICAL REGULATIONS.
2. PLEASE REFER TO PRODUCT MANUALS FOR ADDITIONAL DETAILS.

THIS DRAWING AND SPECIFICATIONS HEREIN ARE THE PROPERTY OF SCHNEIDER ELECTRIC AND SHALL NOT BE COPIED, REPRODUCED OR USED IN WHOLE OR IN PART, AS THE BASIS FOR THE MANUFACTURE OR SALE OF ITEMS WITHOUT WRITTEN PERMISSION FROM SCHNEIDER ELECTRIC. THIS DRAWING IS BASED UPON LATEST AVAILABLE INFORMATION AND IS SUBJECT TO CHANGE WITHOUT NOTICE.



TITLE:

MGE GALAXY 3500  
10-40KVA 3 MODULES, 400V,  
WITH 3-BATTERY CABINETS  
WIRING DETAILS

PROJECT: SUBMITTAL DRAWINGS SHEET 3 OF 4

DWG NO:

G35T10K40HW3B3SBP

DRAWN:

K. NAGENDRA

ENGINEER:

I. KENNEDY

APPROVED:

C. LARSEN

REV.

0

FIRST

ANGLE

PROJECTION

**Weight and Runtime details for 3 module UPS (10-40kVA) with 1 XR Battery Cabinet per UPS**

Battery position	No. of bat shelves	G35T10KH1B4S		G35T10KH2B4S		G35T10KH3B4S		G35T10KH4B4S		G35T15KH2B4S		G35T15KH3B4S		G35T15KH4B4S		G35T20KH2B4S		G35T20KH3B4S		G35T20KH4B4S		G35T30KH3B4S		G35T30KH4B4S		G35T40KH4B4S	
		Net Solution Weight (kg)	Runtime in Min	Net Solution Weight (kg)	Runtime in Min	Net Solution Weight (kg)	Runtime in Min	Net Solution Weight (kg)	Runtime in Min	Net Solution Weight (kg)	Runtime in Min	Net Solution Weight (kg)	Runtime in Min	Net Solution Weight (kg)	Runtime in Min	Net Solution Weight (kg)	Runtime in Min	Net Solution Weight (kg)	Runtime in Min	Net Solution Weight (kg)	Runtime in Min	Net Solution Weight (kg)	Runtime in Min	Net Solution Weight (kg)	Runtime in Min	Net Solution Weight (kg)	Runtime in Min
UPS	1	1053	6	n.a	n.a.	n.a	n.a.	n.a	n.a.	n.a	n.a.	n.a	n.a.	n.a	n.a.	n.a	n.a.	n.a	n.a.	n.a	n.a.	n.a	n.a.	n.a	n.a.	n.a	n.a.
UPS	2	1329	18	1329	18	n.a	n.a.	n.a	n.a.	1476	10	n.a	n.a.	n.a	n.a.	1329	6	n.a	n.a.	n.a	n.a.	n.a	n.a.	n.a	n.a.	n.a	n.a.
UPS	3	1605	32	1605	32	1605	32	n.a	n.a.	1752	18	1605	18	n.a	n.a.	1605	12	1605	12	n.a	n.a.	1710	6	n.a	n.a.	n.a	n.a.
UPS	4	1881	47	1881	47	1881	47	1881	47	2028	27	1881	27	1881	27	1881	18	1881	18	1881	18	1986	10	1986	10	1986	6
XR1	5	2757	62	2757	62	2757	62	2757	62	2904	37	2757	37	2757	37	2757	25	2757	25	2757	25	2862	14	2862	14	2862	9
XR1	6	3045	78	3045	78	3045	78	3045	78	3192	47	3045	47	3045	47	3045	32	3045	32	3045	32	3150	18	3150	18	3150	12
XR1	7	3333	95	3333	95	3333	95	3333	95	3480	57	3333	57	3333	57	3333	40	3333	40	3333	40	3438	23	3438	23	3438	15
XR1	8	3621	112	3621	112	3621	112	3621	112	3768	68	3621	68	3621	68	3621	47	3621	47	3621	47	3726	28	3726	28	3726	19
XR1	9	3909	130	3909	130	3909	130	3909	130	4056	79	3909	79	3909	79	3909	55	3909	55	3909	55	4014	32	4014	32	4014	22
<b>XR1</b>	<b>10</b>	<b>4197</b>	<b>148</b>	<b>4197</b>	<b>148</b>	<b>4197</b>	<b>148</b>	<b>4197</b>	<b>148</b>	<b>4344</b>	<b>90</b>	<b>4197</b>	<b>90</b>	<b>4197</b>	<b>90</b>	<b>4197</b>	<b>63</b>	<b>4197</b>	<b>63</b>	<b>4197</b>	<b>63</b>	<b>4302</b>	<b>37</b>	<b>4302</b>	<b>37</b>	<b>4302</b>	<b>25</b>
XR2	11	5073	166	5073	166	5073	166	5073	166	5220	101	5073	101	5073	101	5073	71	5073	71	5073	71	5178	42	5178	42	5178	29
XR2	12	5361	185	5361	185	5361	185	5361	185	5508	113	5361	113	5361	113	5361	79	5361	79	5361	79	5466	47	5466	47	5466	33
XR2	13	5649	204	5649	204	5649	204	5649	204	5796	124	5649	124	5649	124	5649	87	5649	87	5649	87	5754	52	5754	52	5754	36
XR2	14	5937	223	5937	223	5937	223	5937	223	6084	136	5937	136	5937	136	5937	96	5937	96	5937	96	6042	58	6042	58	6042	40
XR2	15	6225	243	6225	243	6225	243	6225	243	6372	148	6225	148	6225	148	6225	105	6225	105	6225	105	6330	63	6330	63	6330	44
XR2	16	6513	262	6513	262	6513	262	6513	262	6660	161	6513	161	6513	161	6513	113	6513	113	6513	113	6618	68	6618	68	6618	47
XR3	17	7389	282	7389	282	7389	282	7389	282	7536	173	7389	173	7389	173	7389	122	7389	122	7389	122	7494	74	7494	74	7494	51
XR3	18	7677	303	7677	303	7677	303	7677	303	7824	185	7677	185	7677	185	7677	131	7677	131	7677	131	7782	79	7782	79	7782	55
XR3	19	7965	323	7965	323	7965	323	7965	323	8112	198	7965	198	7965	198	7965	140	7965	140	7965	140	8070	85	8070	85	8070	59
XR3	20	8253	344	8253	344	8253	344	8253	344	8400	211	8253	211	8253	211	8253	149	8253	149	8253	149	8358	90	8358	90	8358	63
XR3	21	8541	365	8541	365	8541	365	8541	365	8688	224	8541	224	8541	224	8541	158	8541	158	8541	158	8646	96	8646	96	8646	67
XR3	22	8829	386	8829	386	8829	386	8829	386	8976	237	8829	237	8829	237	8829	168	8829	168	8829	168	8934	102	8934	102	8934	71
XR4	23	9705	408	9705	408	9705	408	9705	408	9852	250	9705	250	9705	250	9705	177	9705	177	9705	177	9810	107	9810	107	9810	75
XR4	24	9993	429	9993	429	9993	429	9993	429	10140	263	9993	263	9993	263	9993	187	9993	187	9993	187	10098	113	10098	113	10098	79
XR4	25	10281	451	10281	451	10281	451	10281	451	10428	277	10281	277	10281	277	10281	196	10281	196	10281	196	10386	119	10386	119	10386	84
XR4	26	10569	473	10569	473	10569	473	10569	473	10716	290	10569	290	10569	290	10569	206	10569	206	10569	206	10674	125	10674	125	10674	88
XR4	27	10857	495	10857	495	10857	495	10857	495	11004	304	10857	304	10857	304	10857	215	10857	215	10857	215	10962	131	10962	131	10962	92
XR4	28	11145	517	11145	517	11145	517	11145	517	11292	318	11145	318	11145	318	11145	225	11145	225	11145	225	11250	137	11250	137	11250	96

△

**NOTES:**

1. INSTALLATION SHALL COMPLY WITH ALL APPLICABLE NATIONAL, STATE AND LOCAL ELECTRICAL REGULATIONS.
2. PLEASE REFER TO PRODUCT MANUALS FOR ADDITIONAL DETAILS.
- △ 3. CONFIGURATION REPRESENTED IN THIS DRAWING IS HIGHLIGHTED IN ITALIC BOLD TEXT.
4. WEIGHT OF SBP IS NOT INCLUDED IN THIS SOLUTION WEIGHT TABLE.

THIS DRAWING AND SPECIFICATIONS HEREIN ARE THE PROPERTY OF SCHNEIDER ELECTRIC AND SHALL NOT BE COPIED, REPRODUCED OR USED IN WHOLE OR IN PART, AS THE BASIS FOR THE MANUFACTURE OR SALE OF ITEMS WITHOUT WRITTEN PERMISSION FROM SCHNEIDER ELECTRIC. THIS DRAWING IS BASED UPON LATEST AVAILABLE INFORMATION AND IS SUBJECT TO CHANGE WITHOUT NOTICE.



**TITLE:**

MGE GALAXY 3500  
10-40KVA 3 MODULES, 400V,  
WITH 3-BATTERY CABINETS  
CONFIGURATION & RUNTIME DETAILS

PROJECT: SUBMITTAL DRAWINGS | SHEET 4 OF 4

**DWG NO:**

G35T10K40HW3B3SBP

**DRAWN:**

K NAGENDRA 23-JUL-09

**ENGINEER:**

I.KENNEDY 23-JUL-09

**APPROVED:**

C.LARSEN 23-JUL-09

**REV:**

0

FIRST ANGLE PROJECTION