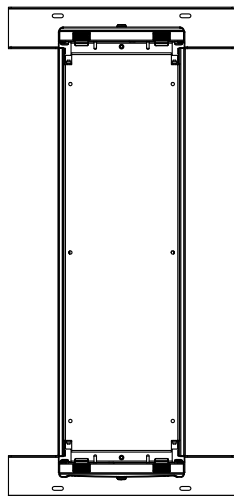


FRONT VIEW

LEFT SIDE VIEW

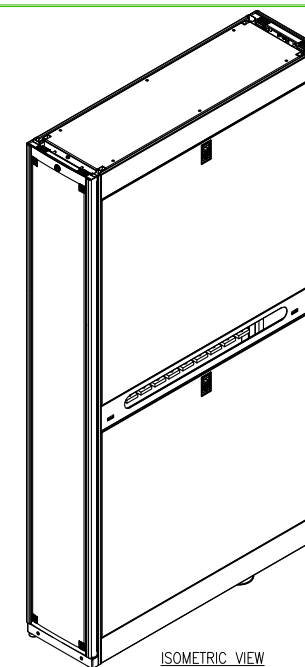
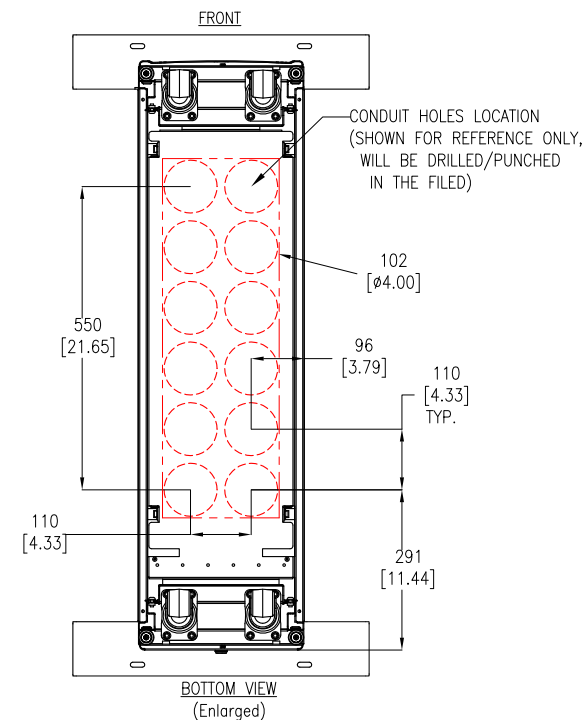
REAR VIEW



TOP VIEW

NOTES:

1. INSTALLATION SHALL COMPLY WITH ALL APPLICABLE NATIONAL, STATE AND LOCAL CODES.
2. PLEASE REFER TO PRODUCT DOCUMENTATION FOR FURTHER DETAILS.
3. UNLESS OTHERWISE SPECIFIED, ALL DIMENSIONS ARE IN MILLIMETERS [INCHES].
4. BOTTOM CABLE ENTRY. SIDE CABLE CONNECTIONS ARE FOR INTERNAL CABLING FROM/TO I/O CABINET ONLY.
5. BOTTOM FEED FRAME TO BE BAYED ON LEFT OR RIGHT SIDE OF I/O CABINET AS PER THE REQUIRED SOLUTION.
6. NET WEIGHT OF UNIT 148.2 kg [326 LBS].



ISOMETRIC VIEW

THIS DRAWING AND SPECIFICATIONS HEREIN ARE THE PROPERTY OF SCHNEIDER ELECTRIC AND SHALL NOT BE COPIED, REPRODUCED OR USED IN WHOLE OR IN PART, AS THE BASIS FOR THE MANUFACTURE OR SALE OF ITEMS WITHOUT WRITTEN PERMISSION FROM SCHNEIDER ELECTRIC. THIS DRAWING IS BASED UPON LATEST AVAILABLE INFORMATION AND IS SUBJECT TO CHANGE WITHOUT NOTICE.



TITLE:

InfraStruXure
SYMMETRA PX 250/500
BOTTOM FEED FRAME
MAIN MECHANICAL

DWG NO: SYBFF-MM1

REV. 2

DRAWN: K NAGENDRA 28-JUL-09

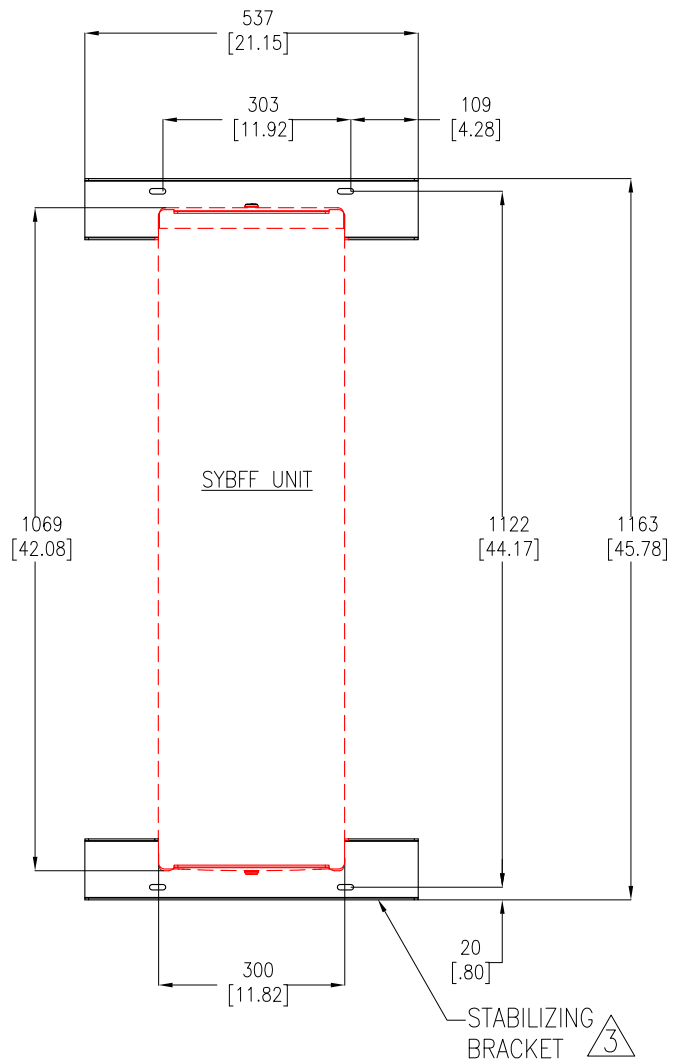
FIRST ANGLE

ENGINEER: MULLER/H NICOLAISEN 28-JUL-09

PROJ

APPROVE: SHERIDAN/E SILVA/C LARSEN/SWAGH 28-JUL-09

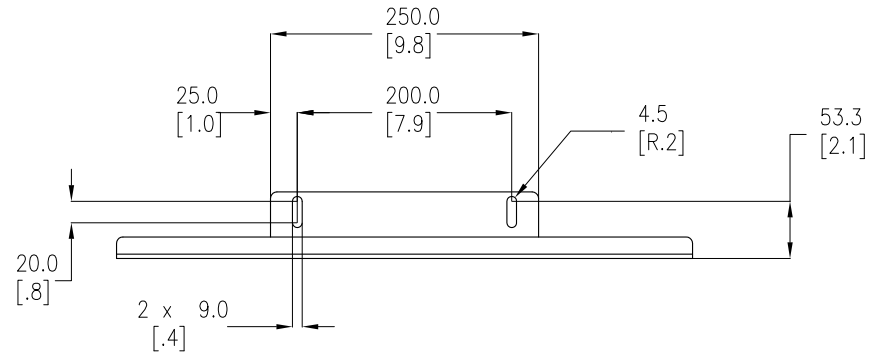
PROJECT: SUBMITTAL DRAWINGS SHEET 1 OF 4



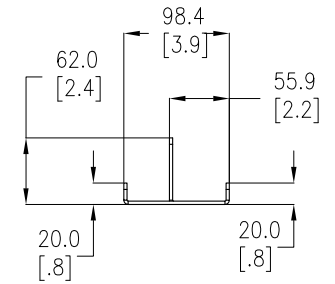
FOOT PRINT
(Enlarged)

STABILIZING BRACKET

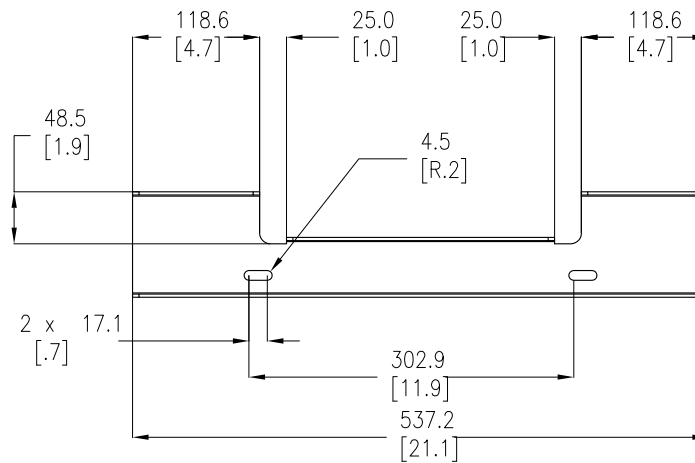
(QTY-2)



FRONT VIEW



LEFT SIDE VIEW



TOP VIEW

NOTES:

1. INSTALLATION SHALL COMPLY WITH ALL APPLICABLE NATIONAL, STATE AND LOCAL CODES.
2. PLEASE REFER TO PRODUCT DOCUMENTATION FOR FURTHER DETAILS.
- △3. PROVIDED WITH SKU. 30" REAR CLEARANCE REQUIRED FOR INSTALLATION.
4. UNLESS OTHERWISE SPECIFIED, ALL DIMENSIONS ARE IN MILLIMETERS [INCHES].

THIS DRAWING AND SPECIFICATIONS HEREIN ARE THE PROPERTY OF SCHNEIDER ELECTRIC AND SHALL NOT BE COPIED, REPRODUCED OR USED IN WHOLE OR IN PART, AS THE BASIS FOR THE MANUFACTURE OR SALE OF ITEMS WITHOUT WRITTEN PERMISSION FROM SCHNEIDER ELECTRIC. THIS DRAWING IS BASED UPON LATEST AVAILABLE INFORMATION AND IS SUBJECT TO CHANGE WITHOUT NOTICE.



TITLE:

InfraStruXure
SYMMETRA PX 250/500
BOTTOM FEED FRAME
STABILIZING BRACKET

PROJECT: SUBMITTAL DRAWINGS SHEET 2 OF 4

DWG NO:

SYBFF-MM2

REV. 2

DRAWN: V BUSH 30-JUN-10

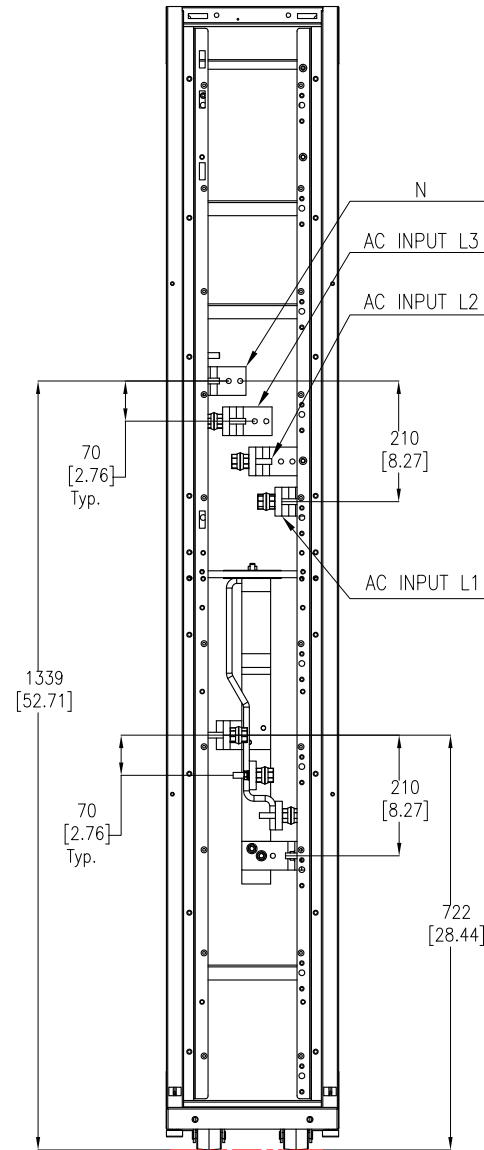
FIRST

ENGINEER: MULLER/H NICOLAISEN 30-JUN-10

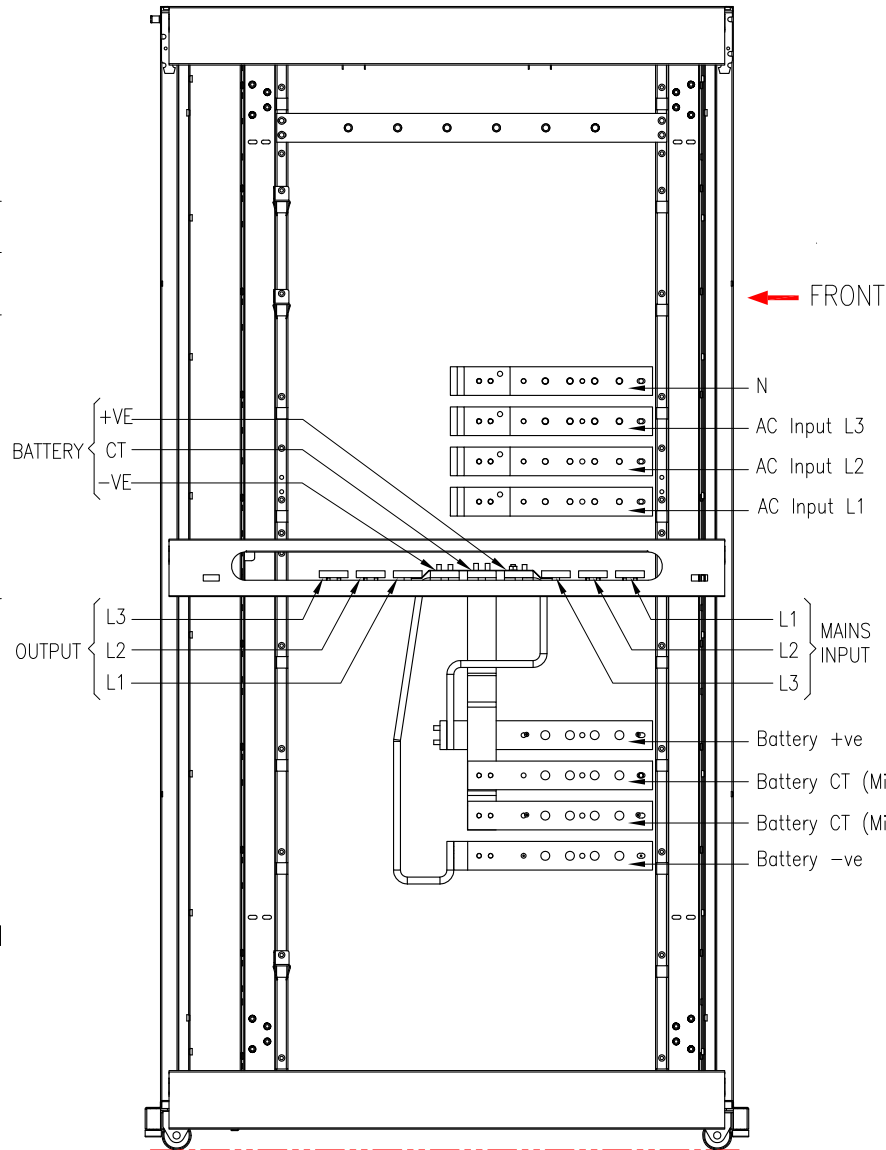
ANGLE

APPROVE: SHERIDAN/E SILVA/C LARSEN/S WACH 30-JUN-10

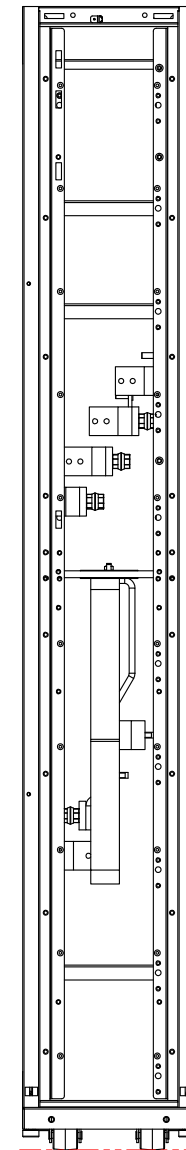
PROJ



FRONT VIEW



LEFT SIDE VIEW



REAR VIEW

NOTES:

1. INSTALLATION SHALL COMPLY WITH ALL APPLICABLE NATIONAL, STATE AND LOCAL CODES.
2. PLEASE REFER TO PRODUCT DOCUMENTATION FOR FURTHER DETAILS.
3. UNLESS OTHERWISE SPECIFIED, ALL DIMENSIONS ARE IN MILLIMETERS [INCHES],
4. SOME MECHANICAL DETAILS HAVE BEEN OMITTED FOR CLARITY.

THIS DRAWING AND SPECIFICATIONS HEREIN ARE THE PROPERTY OF SCHNEIDER ELECTRIC AND SHALL NOT BE COPIED, REPRODUCED OR USED IN WHOLE OR IN PART, AS THE BASIS FOR THE MANUFACTURE OR SALE OF ITEMS WITHOUT WRITTEN PERMISSION FROM SCHNEIDER ELECTRIC. THIS DRAWING IS BASED UPON LATEST AVAILABLE INFORMATION AND IS SUBJECT TO CHANGE WITHOUT NOTICE.



TITLE:

InfraStruXure
SYMMETRA PX 250/500
BOTTOM FEED FRAME
INTERNAL VIEW

DWG NO:

SYBFF-ME1 REV. 2

DRAWN:

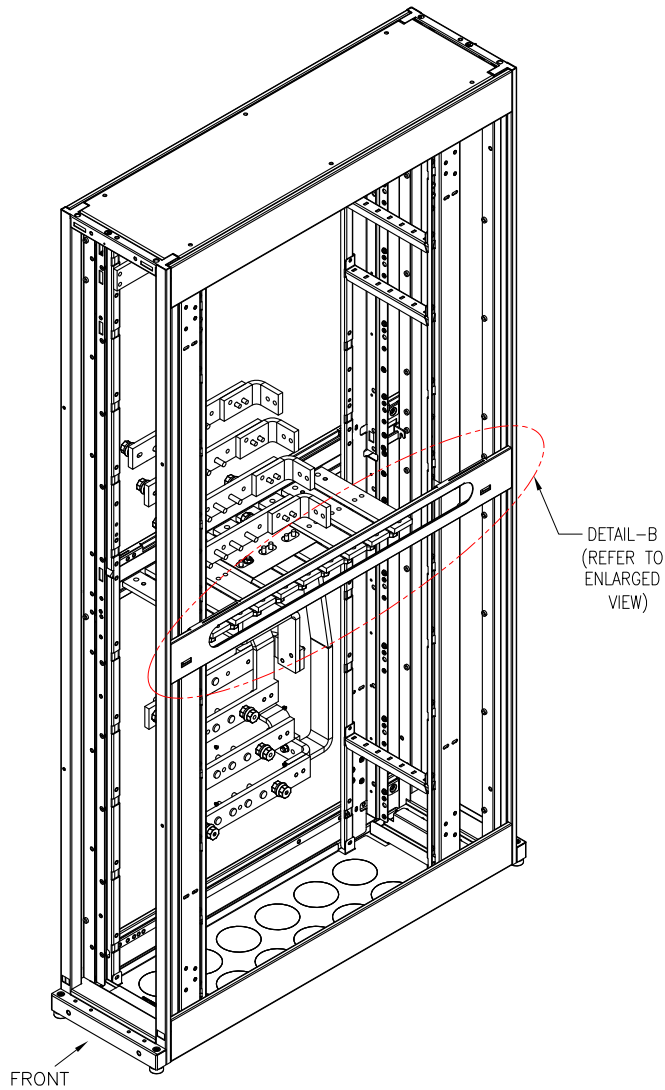
K NAGENDRA 28-JUL-09

ENGINEER: MULLER/H NICOLAISEN 28-JUL-09

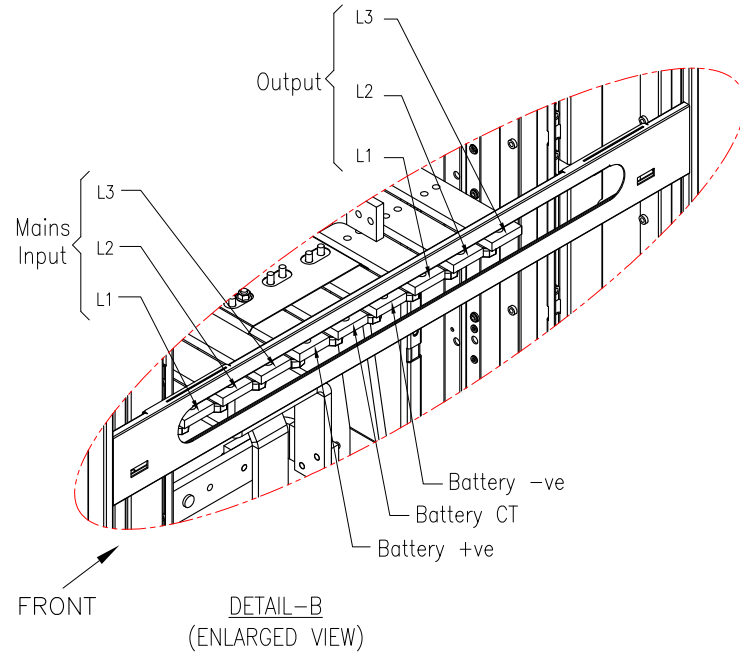
APPROVE: SHERIDAN/E SILVA/C LARSEN/S WAGH 28-JUL-09

FIRST ANGLE PROJ

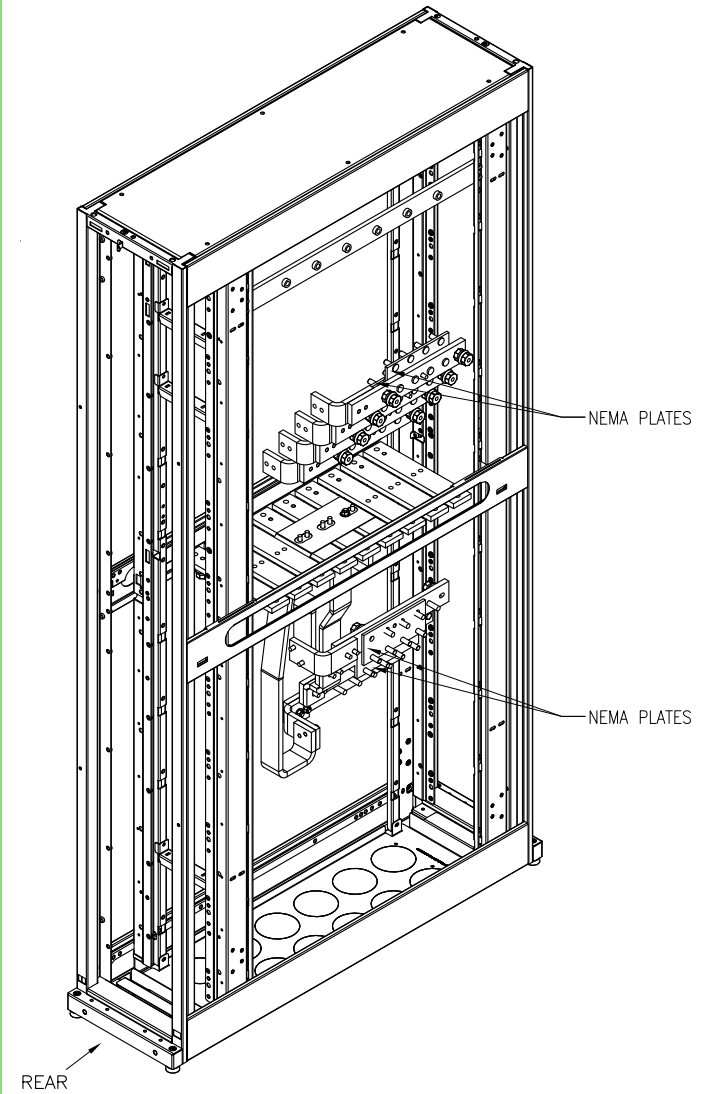
PROJECT: SUBMITTAL DRAWINGS SHEET 3 OF 4



INTERNAL-ISOMETRIC VIEW
(WITH NORMAL BUSBARS)



DETAIL-B
(ENLARGED VIEW)



INTERNAL-ISOMETRIC VIEW
(WITH NEMA PLATE BUSBARS)

NOTES:

1. INSTALLATION SHALL COMPLY WITH ALL APPLICABLE NATIONAL, STATE AND LOCAL CODES.
2. PLEASE REFER TO PRODUCT DOCUMENTATION FOR FURTHER DETAILS
3. SOME MECHANICAL DETAILS HAVE BEEN OMITTED FOR CLARITY.

THIS DRAWING AND SPECIFICATIONS HEREIN ARE THE PROPERTY OF SCHNEIDER ELECTRIC AND SHALL NOT BE COPIED, REPRODUCED OR USED IN WHOLE OR IN PART, AS THE BASIS FOR THE MANUFACTURE OR SALE OF ITEMS WITHOUT WRITTEN PERMISSION FROM SCHNEIDER ELECTRIC. THIS DRAWING IS BASED UPON LATEST AVAILABLE INFORMATION AND IS SUBJECT TO CHANGE WITHOUT NOTICE.



TITLE:

InfraStruXure
SYMMETRA PX 250/500
BOTTOM FEED FRAME
INTERNAL-ISOMETRIC VIEW

DWG NO:

SYBFF-ME2

REV. 2

DRAWN:

K NAGENDRA 28-JUL-09

ENGINEER:

MULLER/H NICOLAISEN 28-JUL-09

APPROVE:

SHERIDAN/E SILVA/C LARSEN/S WAGH 28-JUL-09

PROJECT: SUBMITTAL DRAWINGS SHEET 4 OF 4

FIRST
ANGLE
PROJ