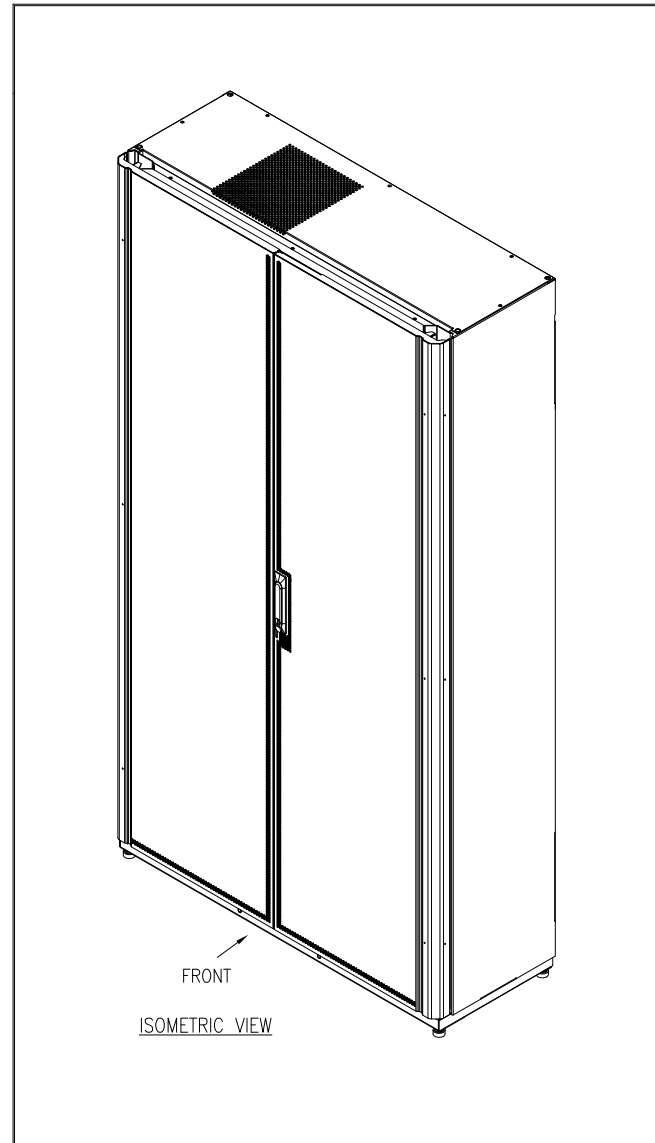


- NOTES:
1. INSTALLATION SHALL COMPLY WITH ALL APPLICABLE NATIONAL, STATE AND LOCAL CODES.
  2. REFER TO [PRODUCT DOCUMENTATION](#) FOR ADDITIONAL DETAILS PRIOR TO INSTALLATION AND SITE PREPARATION WORK.
  3. ALL DIMENSIONS ARE IN MILLIMETERS [INCHES].
  4. CABLE ENTRY IS TOP OR BOTTOM OF UNIT.
  5. FRONT SERVICE ACCESS. FOR LINE-UP CONFIGURATION FRONT SERVICE ACCESS OF MBwD CABINET BECOMES SIDE SERVICE ACCESS OF THE CONFIGURATION.
  6. MAXIMUM WEIGHT OF UNIT 290 kg [638 LBS].



THIS DRAWING AND SPECIFICATIONS HEREIN ARE THE PROPERTY OF SCHNEIDER ELECTRIC AND SHALL NOT BE COPIED, REPRODUCED OR USED IN WHOLE OR IN PART, AS THE BASIS FOR THE MANUFACTURE OR SALE OF ITEMS WITHOUT WRITTEN PERMISSION FROM SCHNEIDER ELECTRIC. THIS DRAWING IS BASED UPON LATEST AVAILABLE INFORMATION AND IS SUBJECT TO CHANGE WITHOUT NOTICE.



TITLE: InfraStruXure SYMMETRA PX 250/500 MAINTENANCE BYPASS PANEL WITH DISTRIBUTION UNIT (MBwD) MAIN MECHANICAL

PROJECT: SUBMITTAL DRAWINGS SHEET 1 OF 5

DWG NO: SY500KMBwD

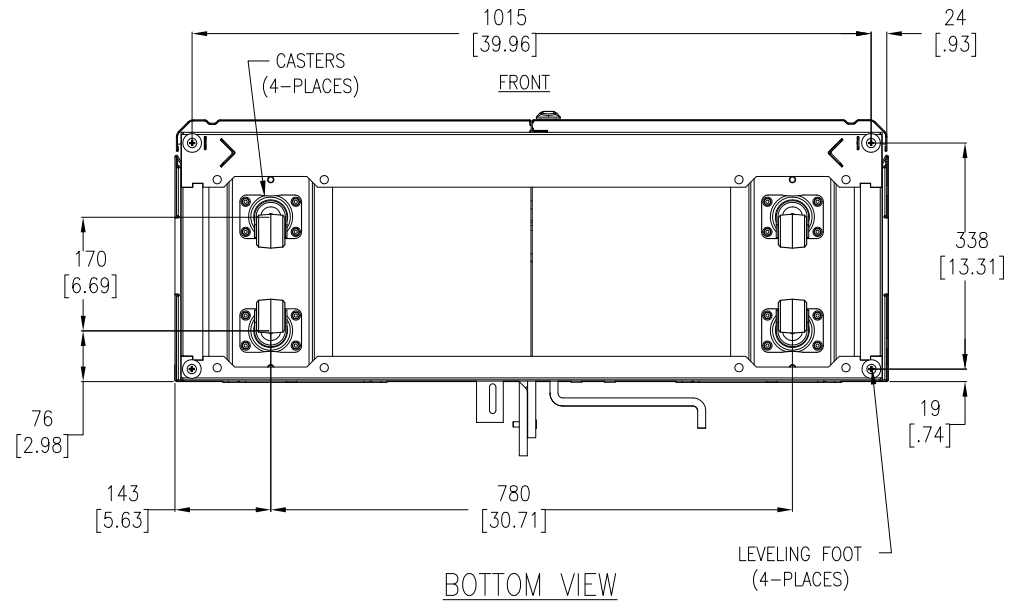
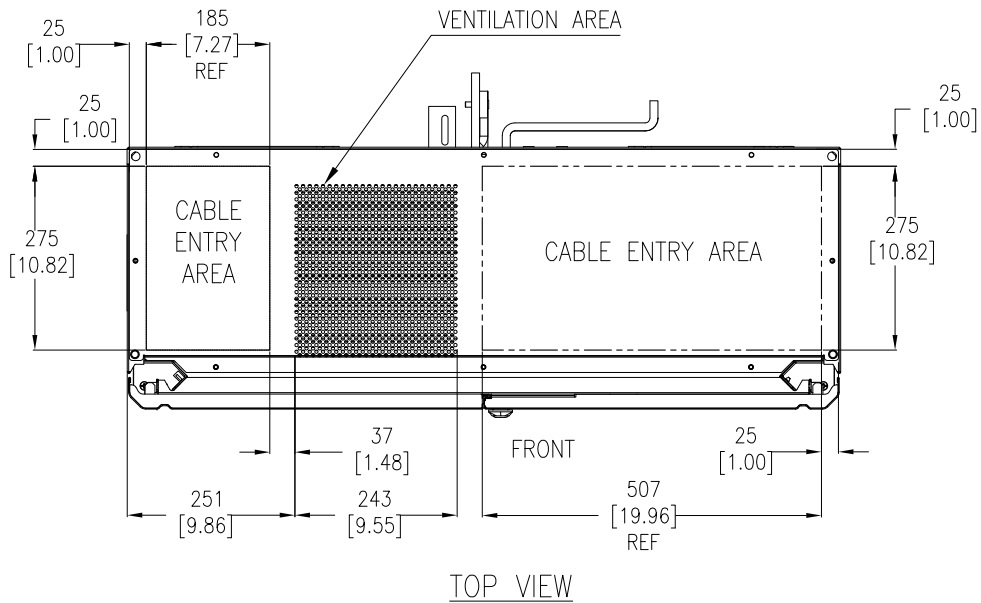
DRAWN: JAYAPRAKASH 14-NOV-14

ENGINEER: M LEPARD/A WARNER 14-NOV-14

APPROVED: B SHERIDAN 14-NOV-14

REV: 8

FIRST ANGLE PROJ



NOTES:

1. INSTALLATION SHALL COMPLY WITH ALL APPLICABLE NATIONAL, STATE AND LOCAL CODES.
2. REFER TO PRODUCT DOCUMENTATION FOR ADDITIONAL DETAILS PRIOR TO INSTALLATION AND SITE PREPARATION WORK.
3. ALL DIMENSIONS ARE IN MILLIMETERS [INCHES].
4. FOR TOP AND BOTTOM CABLE ENTRY REMOVE TOP OR BOTTOM COVER, DRILL OR PUNCH HOLES WITHIN PROVIDED CABLE ENTRY AREA. REFIT COVER AND INSTALL CONDUITS. FOR BOTTOM ENTRY, IF ADDITIONAL CONDUIT AREA IS NECESSARY, CASTER BRACKETS CAN BE REMOVED TO MAXIMIZE ENTRY AREA. REFER TO PAGE 4 FOR DETAILS.

THIS DRAWING AND SPECIFICATIONS HEREIN ARE THE PROPERTY OF SCHNEIDER ELECTRIC AND SHALL NOT BE COPIED, REPRODUCED OR USED IN WHOLE OR IN PART, AS THE BASIS FOR THE MANUFACTURE OR SALE OF ITEMS WITHOUT WRITTEN PERMISSION FROM SCHNEIDER ELECTRIC. THIS DRAWING IS BASED UPON LATEST AVAILABLE INFORMATION AND IS SUBJECT TO CHANGE WITHOUT NOTICE.



TITLE: InfraStruXure  
SYMMETRA PX 250/500  
MAINTENANCE BYPASS PANEL  
WITH DISTRIBUTION UNIT (MBwD)  
TOP AND BOTTOM VIEW

PROJECT: SUBMITTAL DRAWINGS SHEET 2 OF 5

DWG NO: SY500KMBwD

DRAWN: JAYAPRAKASH 14-NOV-14

ENGINEER: M LEPARD/A WARNER 14-NOV-14

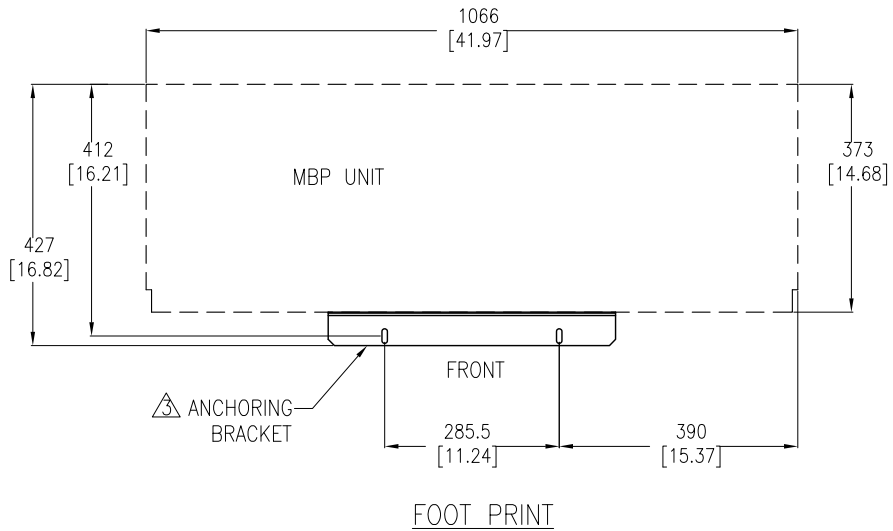
APPROVED: B SHERIDAN 14-NOV-14

REV: 5

FIRST

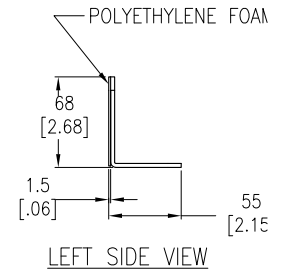
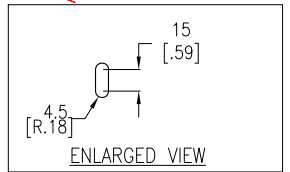
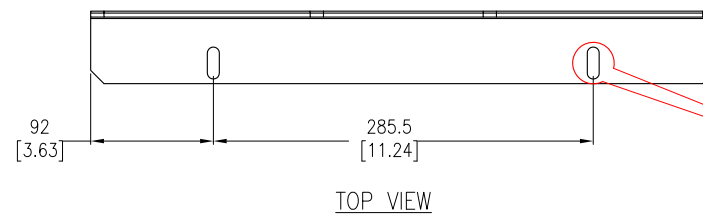
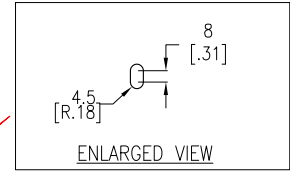
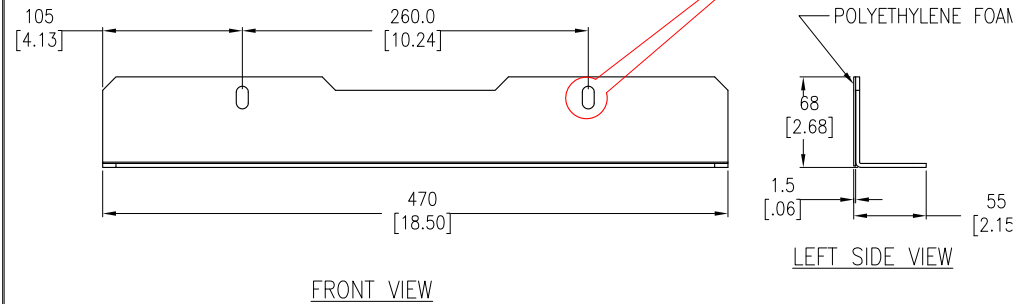
ANGLE

PROJ



### FLOOR ANCHORING BRACKET DETAILS

{Thickness-3.0mm [11Gauge]}



#### NOTES:

1. INSTALLATION SHALL COMPLY WITH ALL APPLICABLE NATIONAL, STATE AND LOCAL CODES.
2. REFER TO PRODUCT DOCUMENTATION FOR ADDITIONAL DETAILS PRIOR TO INSTALLATION AND SITE PREPARATION WORK.
- △3. PALLET STABILIZING BRACKETS CAN BE USED TO ANCHOR ENCLOSURE. USE CODE COMPLIANT FASTENERS TO SECURE THE UNIT.
4. ALL DIMENSIONS ARE IN MILLIMETERS [INCHES], UNLESS OTHERWISE SPECIFIED.

THIS DRAWING AND SPECIFICATIONS HEREIN ARE THE PROPERTY OF SCHNEIDER ELECTRIC AND SHALL NOT BE COPIED, REPRODUCED OR USED IN WHOLE OR IN PART, AS THE BASIS FOR THE MANUFACTURE OR SALE OF ITEMS WITHOUT WRITTEN PERMISSION FROM SCHNEIDER ELECTRIC. THIS DRAWING IS BASED UPON LATEST AVAILABLE INFORMATION AND IS SUBJECT TO CHANGE WITHOUT NOTICE.

**Schneider Electric**

TITLE: InfraStruXure  
SYMMETRA PX 250/500  
MAINTENANCE BYPASS PANEL  
WITH DISTRIBUTION UNIT (MBwD)  
ANCHORING DETAILS

PROJECT: SUBMITTAL DRAWINGS SHEET 3 OF 5

DWG NO: SY500KMBwD

DRAWN: JAYAPRAKASH 21-FEB-11

ENGINEER: M LEPARD 21-FEB-11

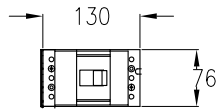
APPROVED: B SHERIDAN 21-FEB-11

REV: 5

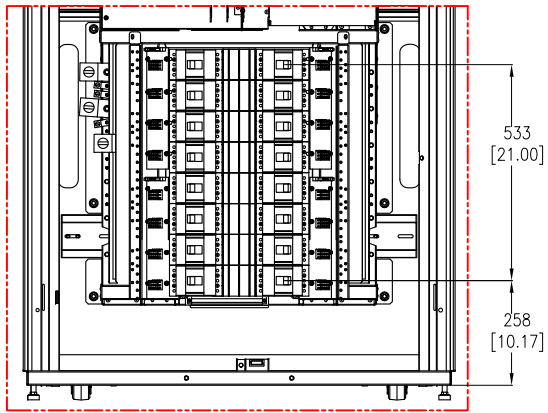
FIRST

ANGLE

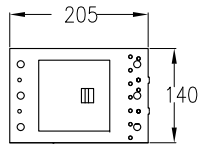
PROJ



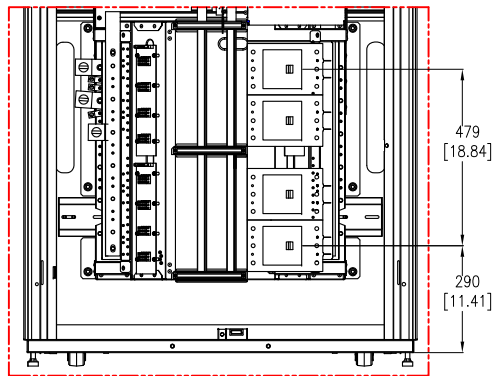
T1-BREAKER  
(3 POLE)  
TYPICAL  
DIMENSION



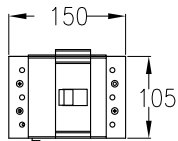
DISTRIBUTION PANEL  
(OPTION T1-100A MCCB's, 16 MCCB's MAX.)



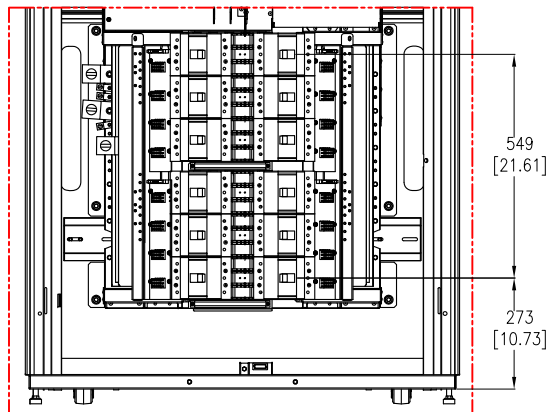
T5-BREAKER  
(3 POLE)  
TYPICAL  
DIMENSION



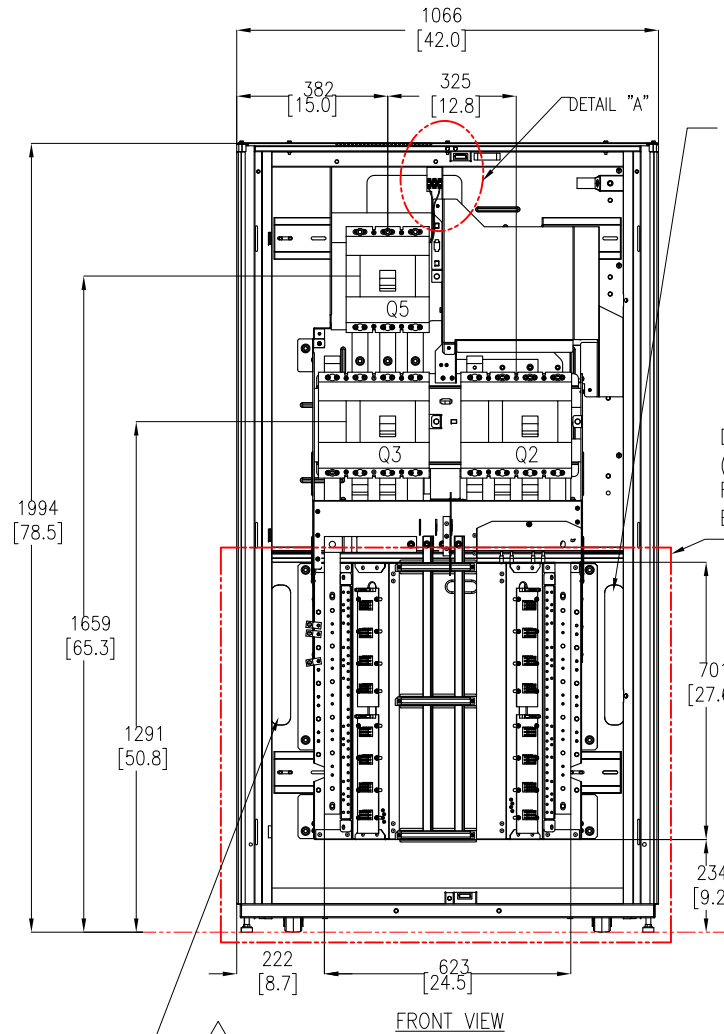
DISTRIBUTION PANEL  
(OPTION T5-400A MCCB's,  
IF THE NEUTRAL BAR KIT IS INSTALLED-4 MCCB's MAX.  
IF THE NEUTRAL BAR KIT IS NOT INSTALLED-8 MCCB's MAX.)



T3-BREAKER  
(3 POLE)  
TYPICAL  
DIMENSION

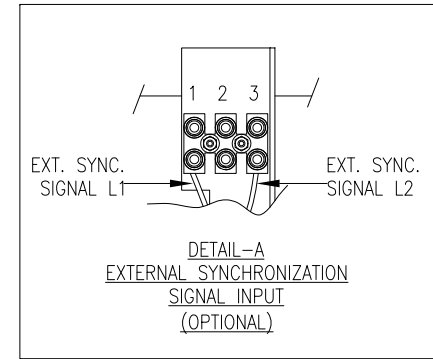


DISTRIBUTION PANEL  
(OPTION T3-225A MCCB's, 12 MCCB's MAX.)



△ 4  
For AC Mains Input use  
Right bottom plate for  
bottom cable entry if MBwD  
is mounted on the Right  
side  
of the system. Wires pass  
through this hole  
to the back of I/O unit to  
AC Mains terminals.

DISTRIBUTION PANEL  
(REFER TO ENLARGED VIEW  
FOR T1,T3 & T5  
BREAKER CONFIGURATION)



△ 4  
For AC Mains Input Use Left bottom plate for bottom cable entry  
if MBwD is mounted on the left side of the system.  
Wires pass through this hole to the back of I/O unit to AC Mains terminals.

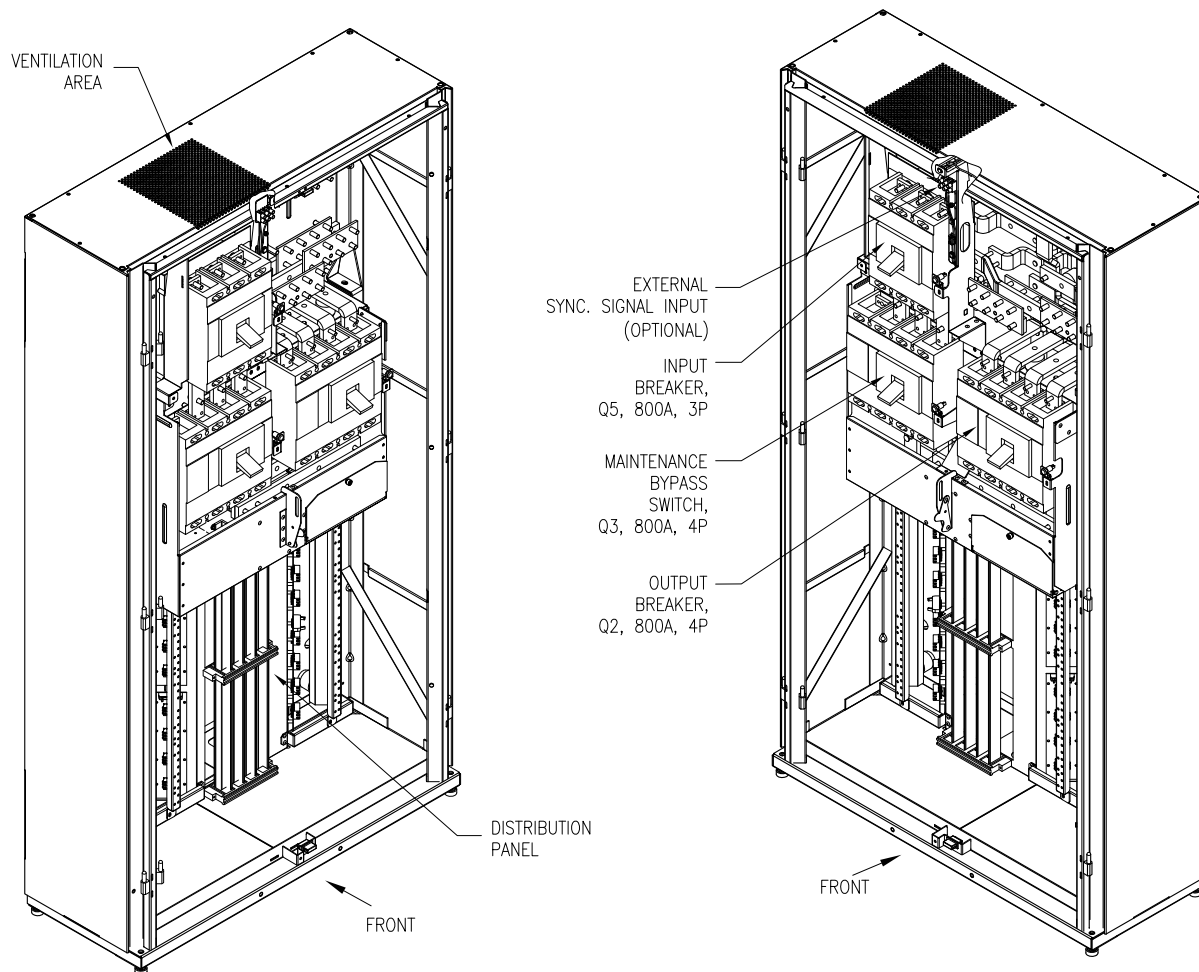
- NOTES:
1. INSTALLATION SHALL COMPLY WITH ALL APPLICABLE NATIONAL, STATE AND LOCAL CODES.
  2. REFER TO PRODUCT DOCUMENTATION FOR ADDITIONAL DETAILS PRIOR TO INSTALLATION AND SITE PREPARATION WORK.
  3. ALL DIMENSIONS ARE IN MILLIMETERS [INCHES].
  - △ 4. THIS SOLUTION RESTRICTED TO 250kW. LARGER CAPACITY WIRES SHOULD BE RUN THROUGH I/O UNIT OR BOTTOM FEED FRAME.
  5. SOME STRUCTURAL DETAILS HAVE BEEN OMITTED FOR THE PURPOSE OF CLARITY.
  6. MULTI FLEXIBLE RUBBER CABLING IS TO BE USED TO ALLOW FOR ROUTING OF THE CABLES INSIDE THE ENCLOSURE.

THIS DRAWING AND SPECIFICATIONS HEREIN ARE THE PROPERTY OF SCHNEIDER ELECTRIC AND SHALL NOT BE COPIED, REPRODUCED OR USED IN WHOLE OR IN PART, AS THE BASIS FOR THE MANUFACTURE OR SALE OF ITEMS WITHOUT WRITTEN PERMISSION FROM SCHNEIDER ELECTRIC. THIS DRAWING IS BASED UPON LATEST AVAILABLE INFORMATION AND IS SUBJECT TO CHANGE WITHOUT NOTICE.

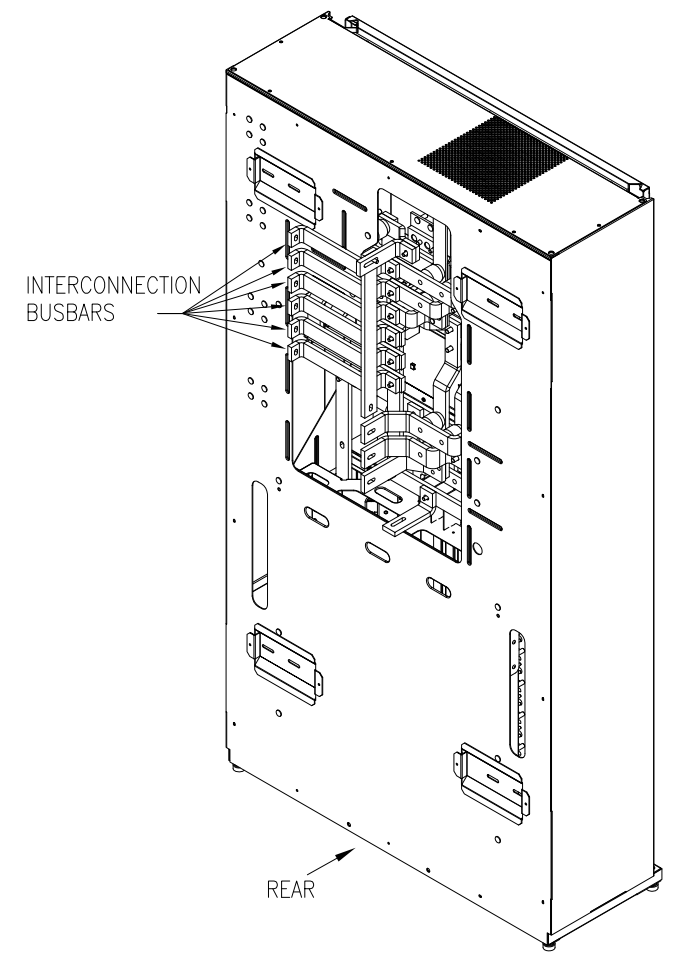


TITLE: InfraStruXure  
SYMMETRA PX 250/500  
MAINTENANCE BYPASS PANEL  
WITH DISTRIBUTION UNIT (MBwD)  
INTERNAL VIEW  
PROJECT: SUBMITTAL DRAWINGS SHEET 4 OF 5

DWG NO:	SY500KMBwD	REV:	5
DRAWN:	JAYAPRAKASH	15-FEB-13	FIRST ANGLE
ENGINEER:	M LEPARD/A WARNER	15-FEB-13	PROJ
APPROVED:	B SHERIDAN	15-FEB-13	



ISOMETRIC VIEWS (INTERNAL)



ISOMETRIC VIEWS (REAR)

- NOTES:
1. INSTALLATION SHALL COMPLY WITH ALL APPLICABLE NATIONAL, STATE AND LOCAL CODES.
  2. REFER TO PRODUCT DOCUMENTATION FOR ADDITIONAL DETAILS PRIOR TO INSTALLATION AND SITE PREPARATION WORK.

THIS DRAWING AND SPECIFICATIONS HEREIN ARE THE PROPERTY OF SCHNEIDER ELECTRIC AND SHALL NOT BE COPIED, REPRODUCED OR USED IN WHOLE OR IN PART, AS THE BASIS FOR THE MANUFACTURE OR SALE OF ITEMS WITHOUT WRITTEN PERMISSION FROM SCHNEIDER ELECTRIC. THIS DRAWING IS BASED UPON LATEST AVAILABLE INFORMATION AND IS SUBJECT TO CHANGE WITHOUT NOTICE.



TITLE: InfraStruXure  
 SYMMETRA PX 250/500  
 MAINTENANCE BYPASS PANEL  
 WITH DISTRIBUTION UNIT (MBWD)  
 INTERNAL-ISOMETRIC VIEW  
 PROJECT: SUBMITTAL DRAWINGS SHEET 5 OF 5

DWG NO: SY500KMBwD  
 DRAWN: JAYAPRAKASH 14-NOV-14  
 ENGINEER: M LEPARD/A WARNER 14-NOV-14  
 APPROVED: B SHERIDAN 14-NOV-14

REV: 6  
 FIRST ANGLE PROJ