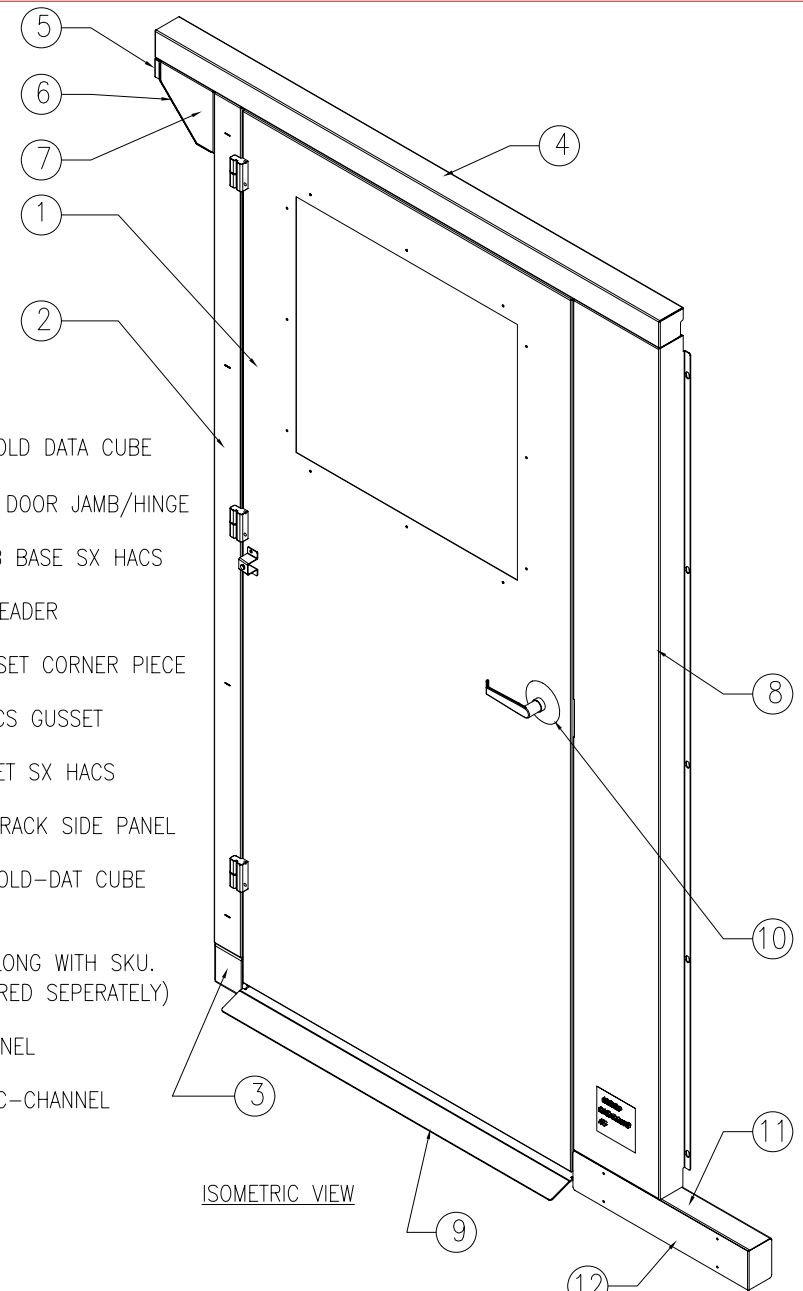
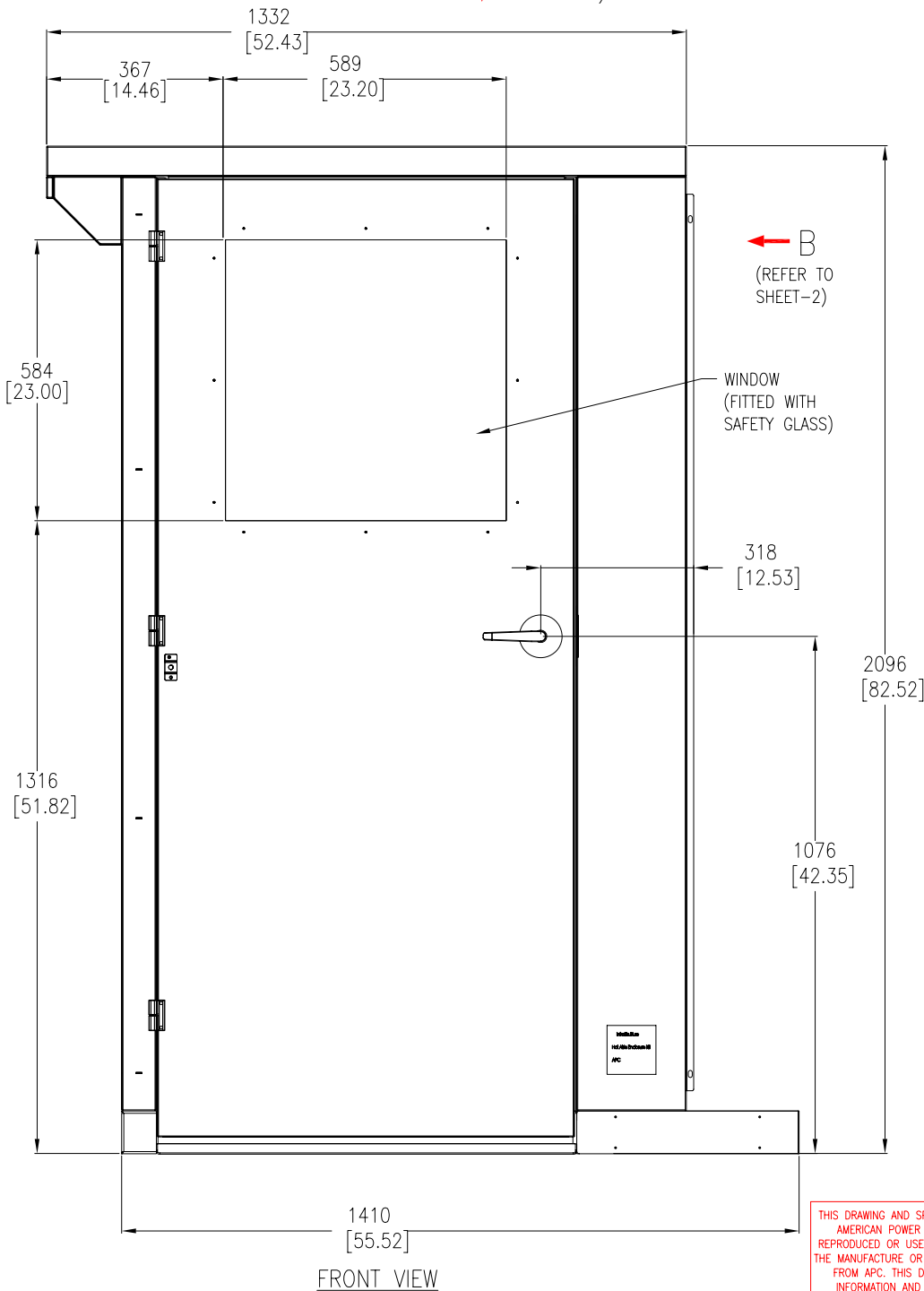


DOOR & FRAME ASSEMBLY

↓ A (REFER TO SHEET-2)



- ① DOOR THRESHOLD DATA CUBE
- ② SX HACS LHS DOOR JAMB/HINGE
- ③ VERTICAL JAMB BASE SX HACS
- ④ HACS DOOR HEADER
- ⑤ SX HACS GUSSET CORNER PIECE
- ⑥ COVER SX HACS GUSSET
- ⑦ HEADER GUSSET SX HACS
- ⑧ ASSY RIGHT- RACK SIDE PANEL
- ⑨ DOOR THRESHOLD-DAT CUBE
- ⑩ DOOR HANDLE (NOT SUPPLIED ALONG WITH SKU. SHOULD BE ORDERED SEPERATELY)
- ⑪ DOOR C-CHANNEL
- ⑫ COVER DOOR C-CHANNEL

NOTES:

1. INSTALLATION MUST COMPLY WITH ALL APPLICABLE NATIONAL AND LOCAL CODES.
2. PLEASE REFER TO THE PRODUCT MANUALS FOR DETAILED INFORMATION.
3. ALL DIMENSIONS ARE IN MILLIMETERS [INCHES], UNLESS OTHERWISE SPECIFIED.
4. NET WEIGHT OF THE UNIT IS 81.82 kg [180 LBS].

THIS DRAWING AND SPECIFICATIONS HEREIN ARE THE PROPERTY OF AMERICAN POWER CONVERSION AND SHALL NOT BE COPIED, REPRODUCED OR USED IN WHOLE OR IN PART, AS THE BASIS FOR THE MANUFACTURE OR SALE OF ITEMS WITHOUT WRITTEN PERMISSION FROM APC. THIS DRAWING IS BASED UPON LATEST AVAILABLE INFORMATION AND IS SUBJECT TO CHANGE WITHOUT NOTICE.



TITLE:
HOT AISLE CONTAINMENT SYSTEM
DOOR AND FRAME ASSEMBLY
SX TO VX (VX RIGHT SIDE)
ASSEMBLY

PROJECT: SUBMITTAL DRAWINGS SHEET 1 OF 7

DWG NO: ACDC1017

DRAWN: K.NAGENDRA 07-AUG-08

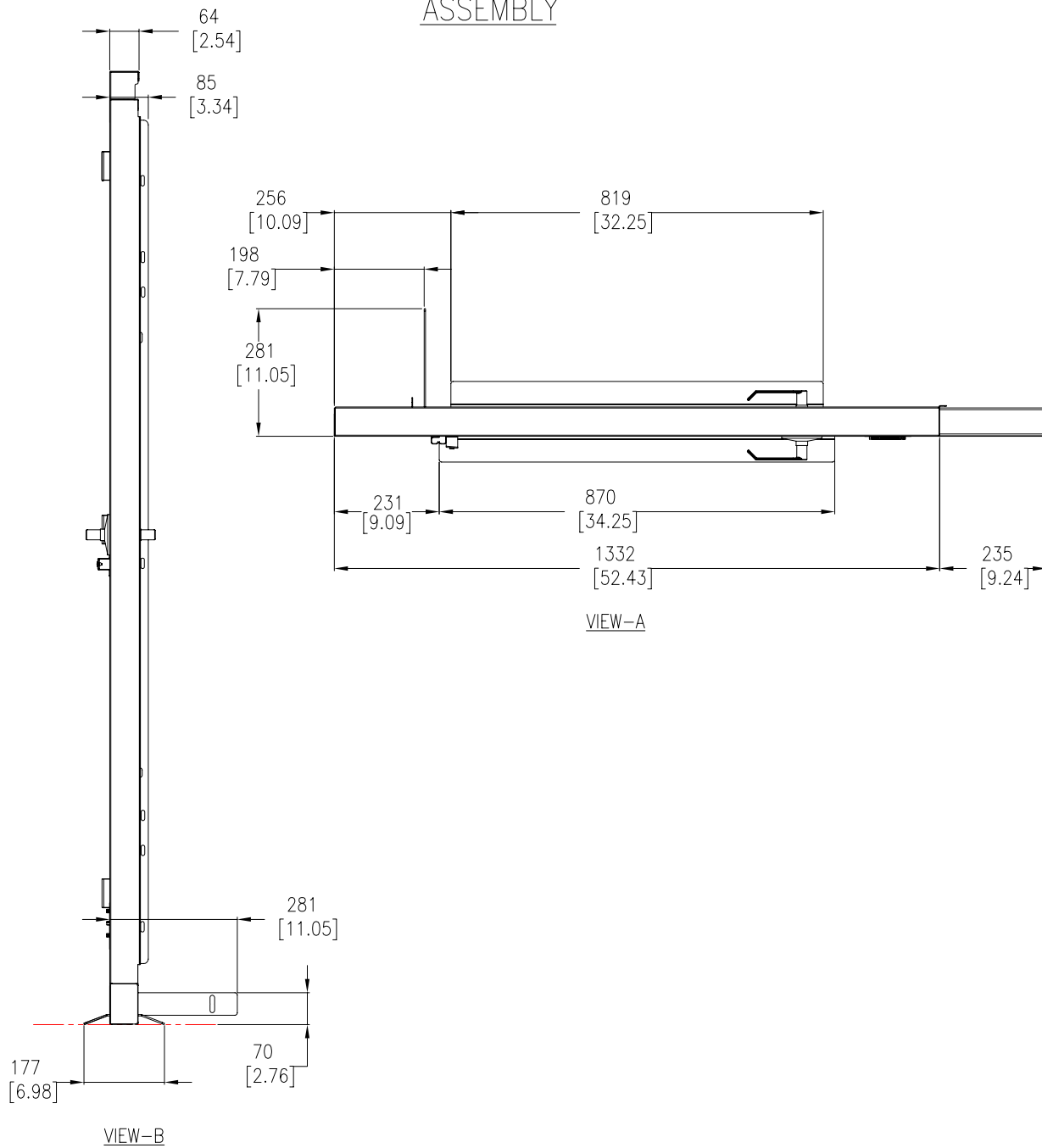
ENGINEER: D.HUDSON/M.BROWN 11-AUG-08

APPROVED: C.GUMREK/C.ZALDAR/R.SUR/S.MACH 11-AUG-08

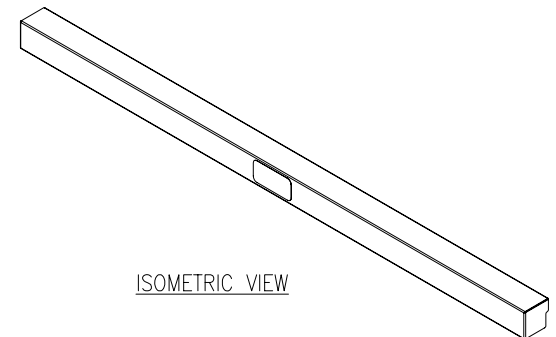
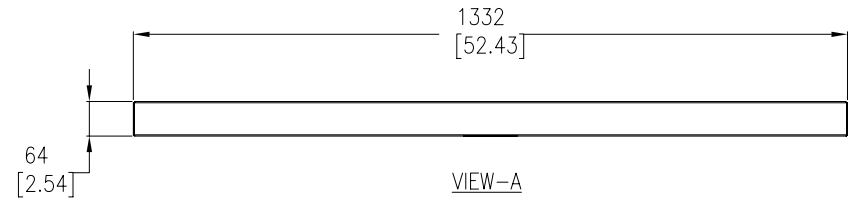
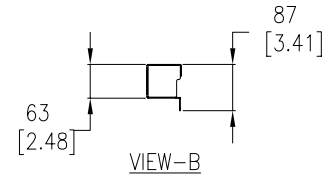
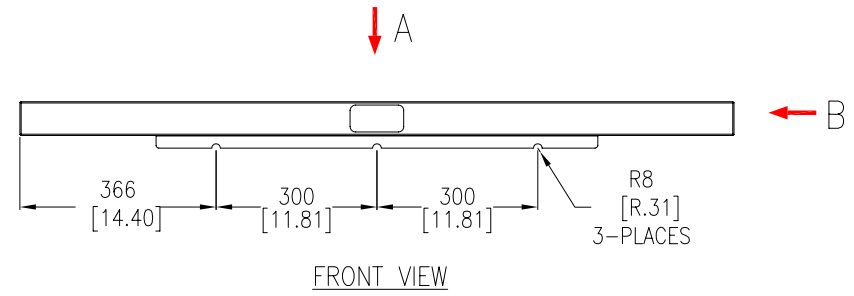
REV: 0

ANGLE PROJECTION
N.A

ASSEMBLY



DOOR HEADER (QTY.-1No.)



NOTES:

1. INSTALLATION MUST COMPLY WITH ALL APPLICABLE NATIONAL AND LOCAL CODES.
2. PLEASE REFER TO THE PRODUCT MANUALS FOR DETAILED INFORMATION.
3. ALL DIMENSIONS ARE IN MILLIMETERS [INCHES], UNLESS OTHERWISE SPECIFIED.

THIS DRAWING AND SPECIFICATIONS HEREIN ARE THE PROPERTY OF AMERICAN POWER CONVERSION AND SHALL NOT BE COPIED, REPRODUCED OR USED IN WHOLE OR IN PART, AS THE BASIS FOR THE MANUFACTURE OR SALE OF ITEMS WITHOUT WRITTEN PERMISSION FROM APC. THIS DRAWING IS BASED UPON LATEST AVAILABLE INFORMATION AND IS SUBJECT TO CHANGE WITHOUT NOTICE.



TITLE:
HOT AISLE CONTAINMENT SYSTEM
DOOR AND FRAME ASSEMBLY
SX TO VX (VX RIGHT SIDE)
ASSEMBLY & DOOR HEADER

PROJECT: SUBMITTAL DRAWINGS SHEET 2 OF 7

DWG NO: ACDC1017

DRAWN: K.NAGENDRA 07-AUG-08

ENGINEER: D.HUDSON/M.BROWN 11-AUG-08

APPROVED: C.GUMMEBY/C.ZALDAR/R.SUNAR/S.MACH 11-AUG-08

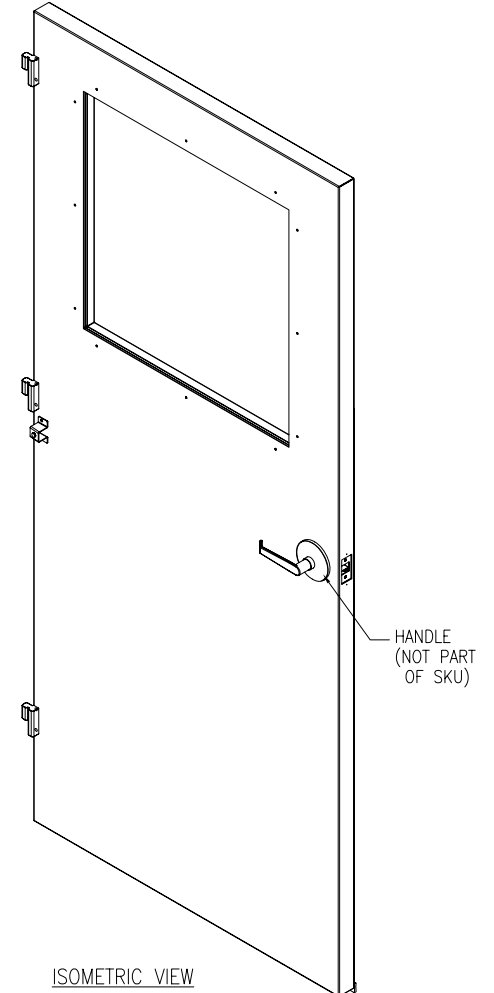
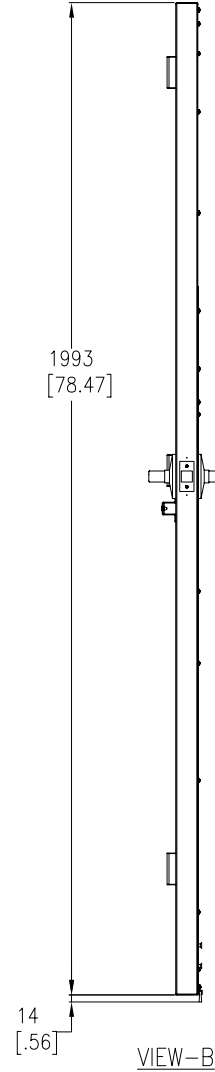
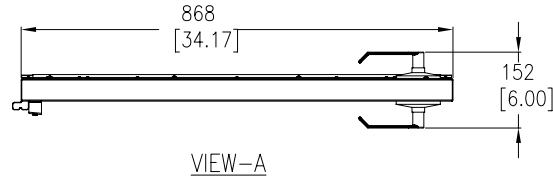
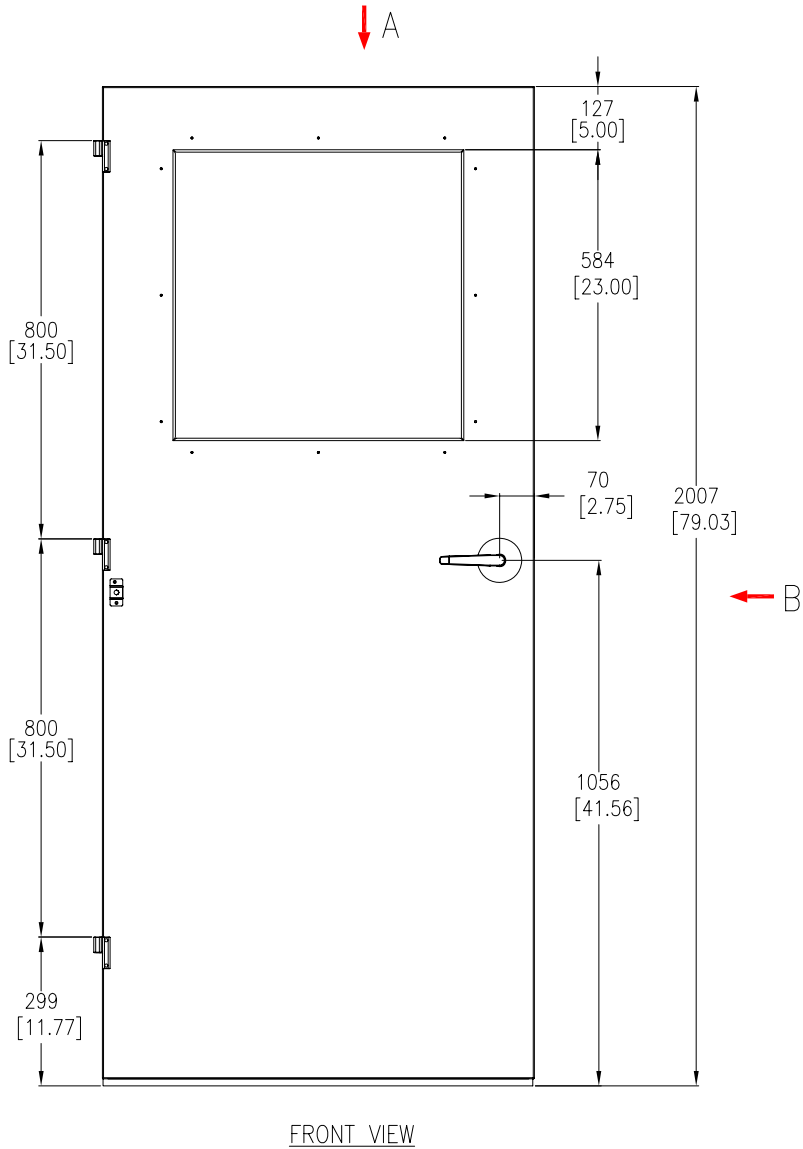
REV: 0

ANGLE

PROJECTION

N.A

DOOR DATACUBE ENTRY (QTY.-1No.)



NOTES:

1. INSTALLATION MUST COMPLY WITH ALL APPLICABLE NATIONAL AND LOCAL CODES.
2. PLEASE REFER TO THE PRODUCT MANUALS FOR DETAILED INFORMATION.
3. ALL DIMENSIONS ARE IN MILLIMETERS [INCHES], UNLESS OTHERWISE SPECIFIED.

THIS DRAWING AND SPECIFICATIONS HEREIN ARE THE PROPERTY OF AMERICAN POWER CONVERSION AND SHALL NOT BE COPIED, REPRODUCED OR USED IN WHOLE OR IN PART, AS THE BASIS FOR THE MANUFACTURE OR SALE OF ITEMS WITHOUT WRITTEN PERMISSION FROM APC. THIS DRAWING IS BASED UPON LATEST AVAILABLE INFORMATION AND IS SUBJECT TO CHANGE WITHOUT NOTICE.



TITLE:
HOT AISLE CONTAINMENT SYSTEM
DOOR AND FRAME ASSEMBLY
SX TO VX (VX RIGHT SIDE)
DOOR DATACUBE ENTRY

PROJECT: SUBMITTAL DRAWINGS | SHEET 3 OF 7

DWG NO: ACDC1017

DRAWN: K.NAGENDRA 07-AUG-08

ENGINEER: D.HUDSON/M.BROWN 11-AUG-08

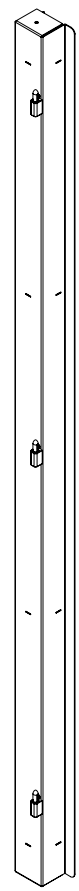
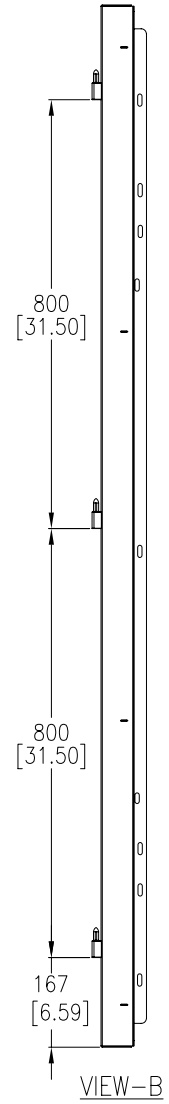
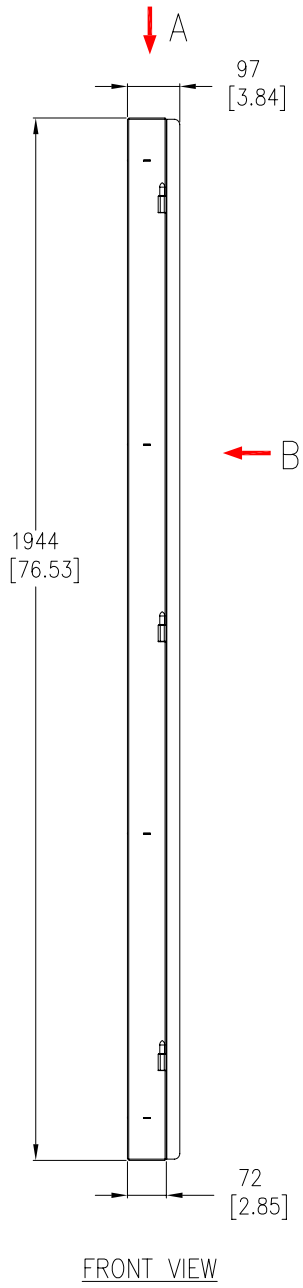
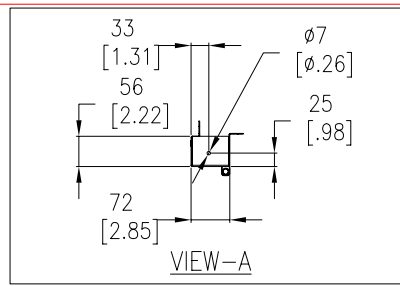
APPROVED: C.GUNDEKEY/C.ZALDAN/R.SUR/S.BAGH 11-AUG-08

REV: 0

ANGLE
PROJECTION

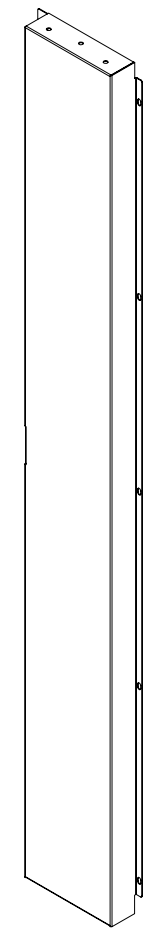
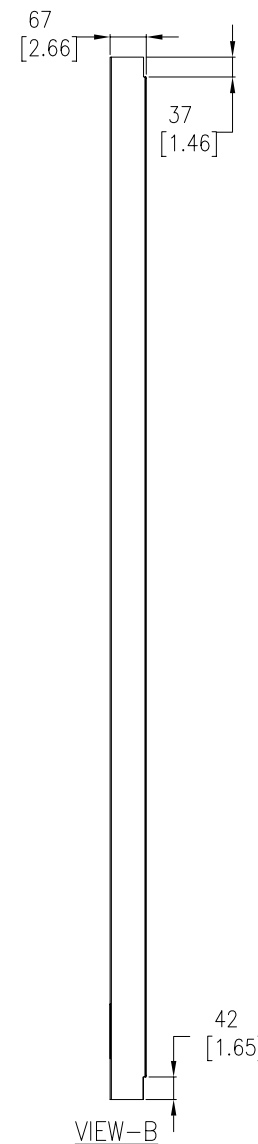
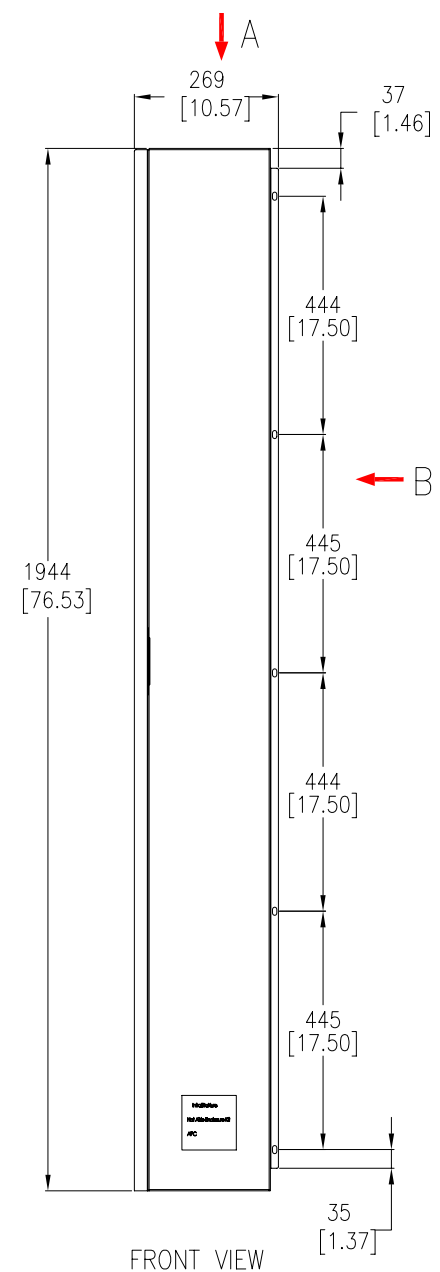
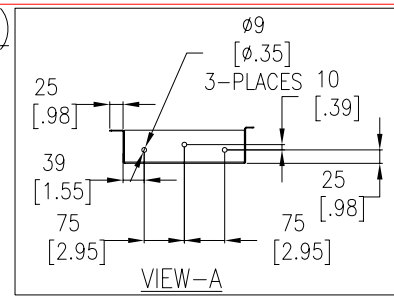
N.A

LHS DOOR JAMB (QTY.-1No.)



ISOMETRIC VIEW

ASSY-PANEL RIGHT SIDE DOOR (QTY.-1No.)



ISOMETRIC VIEW

- NOTES:
1. INSTALLATION MUST COMPLY WITH ALL APPLICABLE NATIONAL AND LOCAL CODES.
 2. PLEASE REFER TO THE PRODUCT MANUALS FOR DETAILED INFORMATION.
 3. ALL DIMENSIONS ARE IN MILLIMETERS [INCHES], UNLESS OTHERWISE SPECIFIED.

THIS DRAWING AND SPECIFICATIONS HEREIN ARE THE PROPERTY OF AMERICAN POWER CONVERSION AND SHALL NOT BE COPIED, REPRODUCED OR USED IN WHOLE OR IN PART, AS THE BASIS FOR THE MANUFACTURE OR SALE OF ITEMS WITHOUT WRITTEN PERMISSION FROM APC. THIS DRAWING IS BASED UPON LATEST AVAILABLE INFORMATION AND IS SUBJECT TO CHANGE WITHOUT NOTICE.

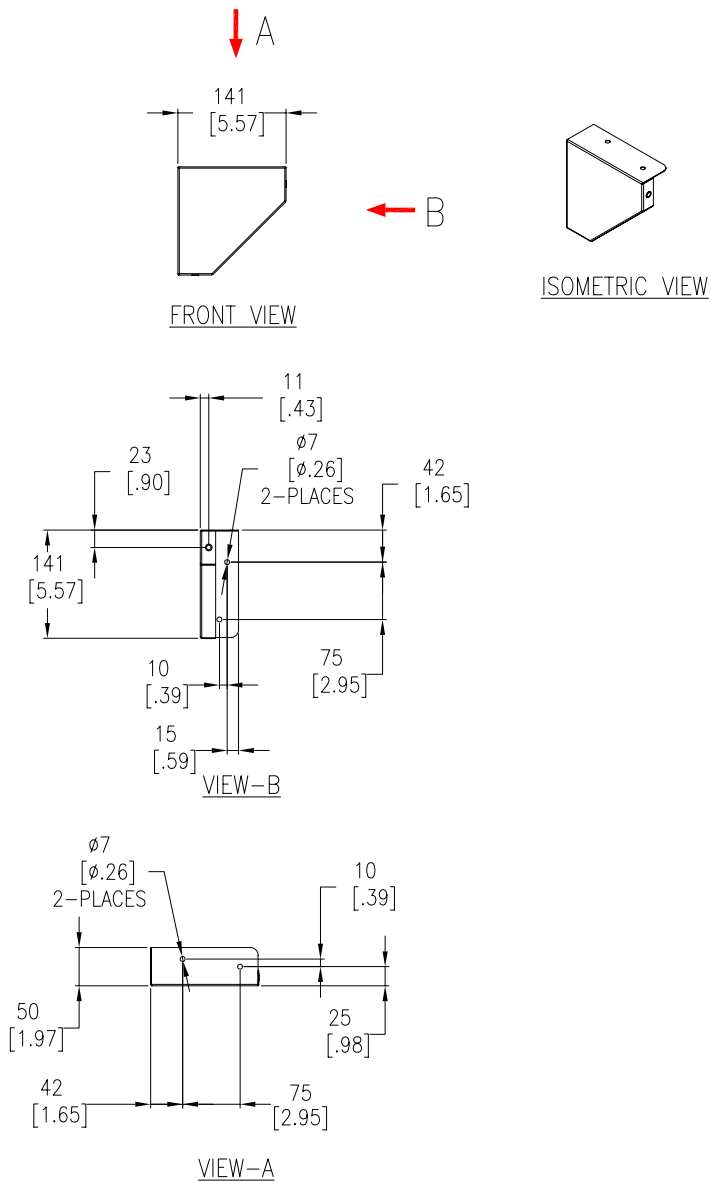


TITLE:
HOT AISLE CONTAINMENT SYSTEM
DOOR AND FRAME ASSEMBLY
SX TO VX (VX RIGHT SIDE)
LHS DOOR JAMB & ASSY PANEL

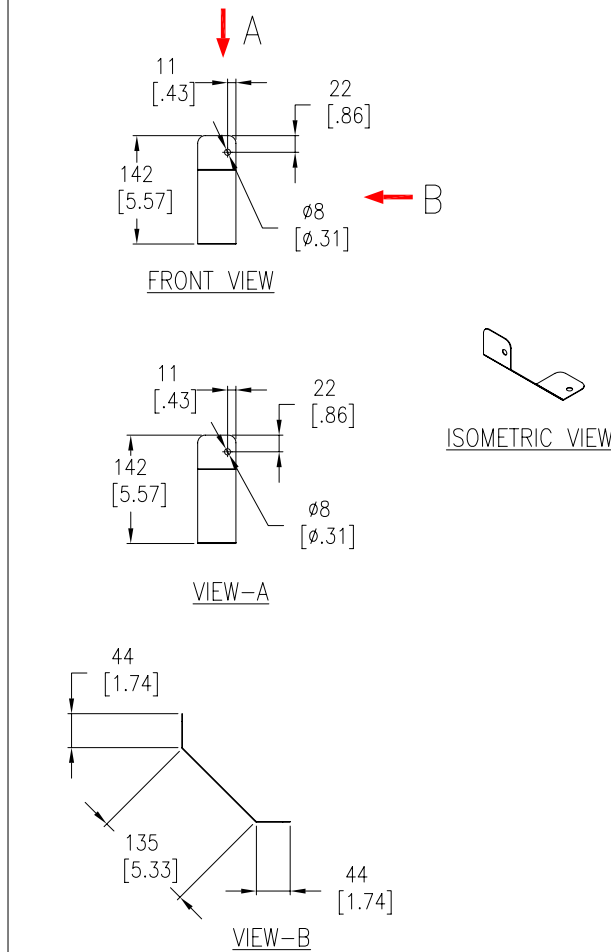
PROJECT: SUBMITTAL DRAWINGS SHEET 4 OF 7

DWG NO:	ACDC1017	REV.	0
DRAWN:	K.NAGENDRA	DATE:	07-AUG-08
ENGINEER:	D.HUDSON/M.BROWN	DATE:	11-AUG-08
APPROVED:	C.GUMBEY/C.ZALDAR/R.SUR/S.MACH	DATE:	11-AUG-08
ANGLE PROJECTION:	N.A		

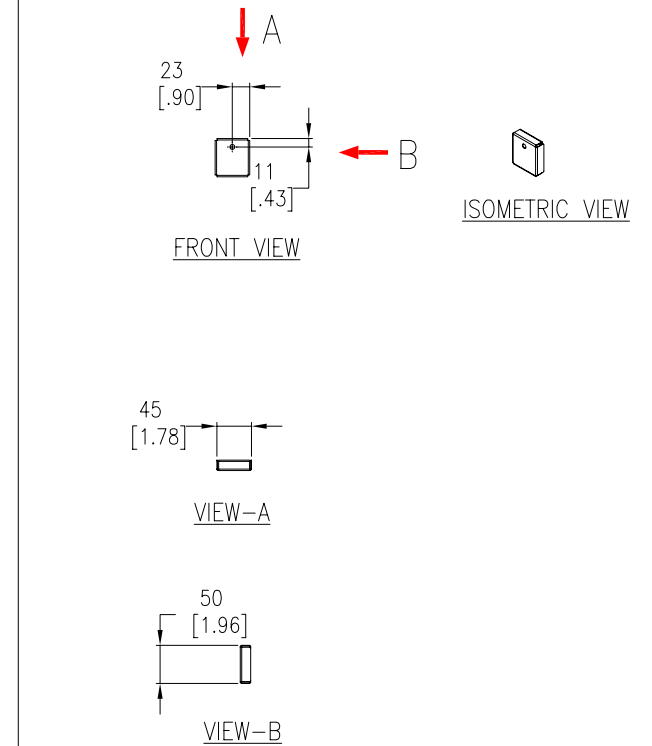
HEADER GUSSET SX HACS(QTY.-1No's)



COVER SX HACS GUSSET(QTY.-1No's)



SX HACS GUSSET CORNER PIECE(QTY.-1No's)



NOTES:

1. INSTALLATION MUST COMPLY WITH ALL APPLICABLE NATIONAL AND LOCAL CODES.
2. PLEASE REFER TO THE PRODUCT MANUALS FOR DETAILED INFORMATION.
3. ALL DIMENSIONS ARE IN MILLIMETERS [INCHES], UNLESS OTHERWISE SPECIFIED.

THIS DRAWING AND SPECIFICATIONS HEREIN ARE THE PROPERTY OF AMERICAN POWER CONVERSION AND SHALL NOT BE COPIED, REPRODUCED OR USED IN WHOLE OR IN PART, AS THE BASIS FOR THE MANUFACTURE OR SALE OF ITEMS WITHOUT WRITTEN PERMISSION FROM APC. THIS DRAWING IS BASED UPON LATEST AVAILABLE INFORMATION AND IS SUBJECT TO CHANGE WITHOUT NOTICE.

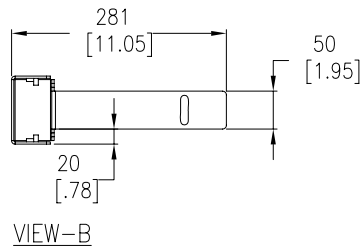
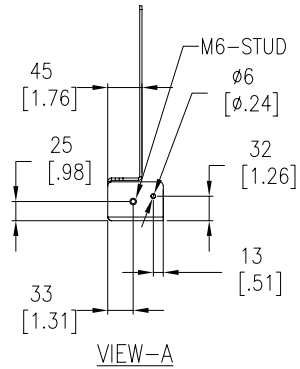
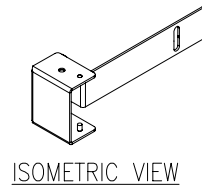
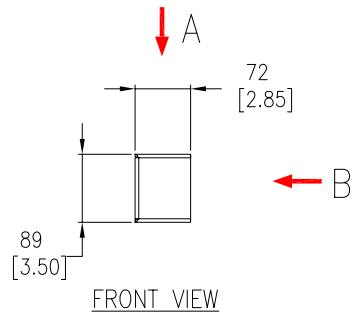


TITLE:
HOT AISLE CONTAINMENT SYSTEM
DOOR AND FRAME ASSEMBLY
SX TO VX (VX RIGHT SIDE)
GUSSET DETAILS

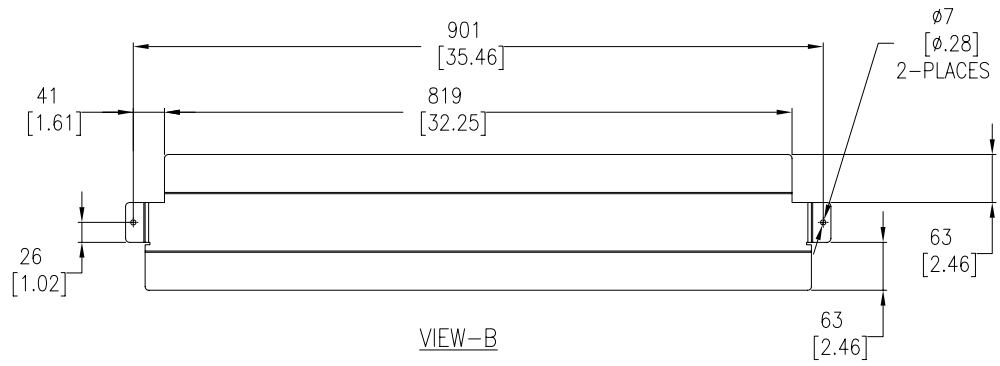
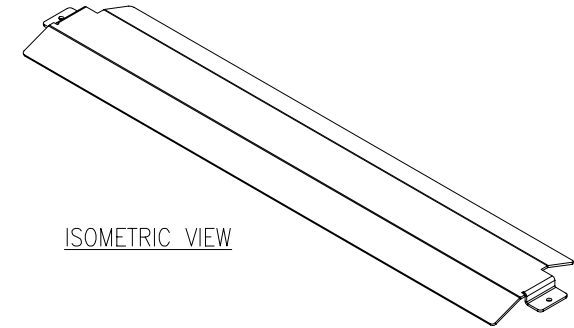
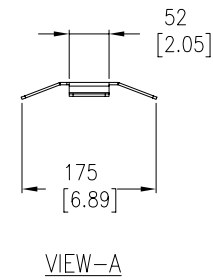
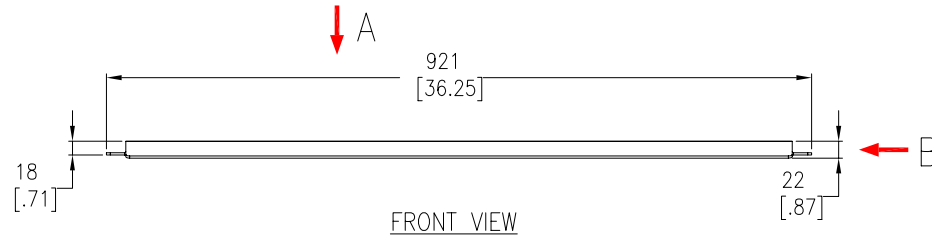
PROJECT: SUBMITTAL DRAWINGS SHEET 5 OF 7

DWG NO:	ACDC1017	REV:	0
DRAWN:	K.NAGENDRA	DATE:	07-AUG-08
ENGINEER:	D.HUDSON/M.BROWN	DATE:	11-AUG-08
APPROVED:	C.GUMBEK/C.ZALDAR/R.SUR/S.MGH	DATE:	11-AUG-08
			ANGLE PROJECTION N.A

VERTICAL JAMB BASE SX HACS (QTY.-1No's)



DOOR THRESHOLD-DATACUBE(QTY.-1No.)



NOTES:

1. INSTALLATION MUST COMPLY WITH ALL APPLICABLE NATIONAL AND LOCAL CODES.
2. PLEASE REFER TO THE PRODUCT MANUALS FOR DETAILED INFORMATION.
3. ALL DIMENSIONS ARE IN MILLIMETERS [INCHES], UNLESS OTHERWISE SPECIFIED.

THIS DRAWING AND SPECIFICATIONS HEREIN ARE THE PROPERTY OF AMERICAN POWER CONVERSION AND SHALL NOT BE COPIED, REPRODUCED OR USED IN WHOLE OR IN PART, AS THE BASIS FOR THE MANUFACTURE OR SALE OF ITEMS WITHOUT WRITTEN PERMISSION FROM APC. THIS DRAWING IS BASED UPON LATEST AVAILABLE INFORMATION AND IS SUBJECT TO CHANGE WITHOUT NOTICE.



TITLE:
HOT AISLE CONTAINMENT SYSTEM
DOOR AND FRAME ASSEMBLY
SX TO VX (VX RIGHT SIDE)
JAMB BASE & DOOR THRESHOLD

PROJECT: SUBMITTAL DRAWINGS SHEET 6 OF 7

DWG NO: ACDC1017

ENGINEER: D.HUDSON/M.BROWN

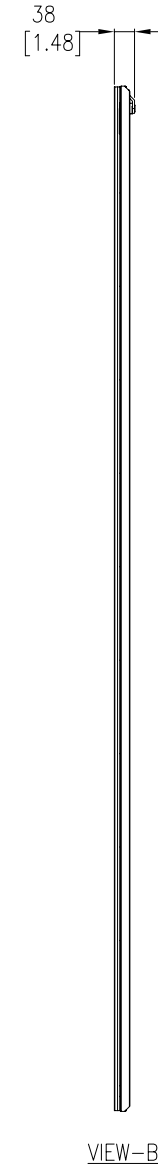
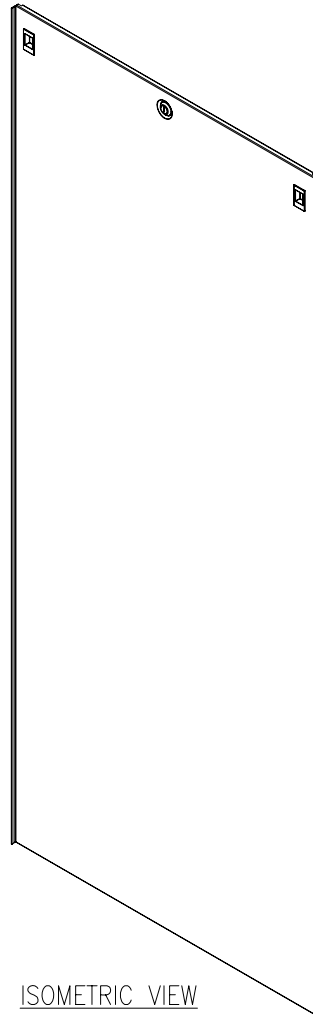
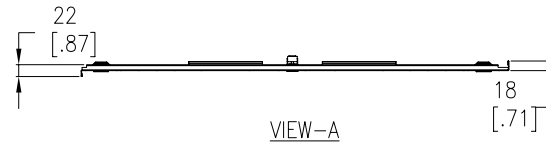
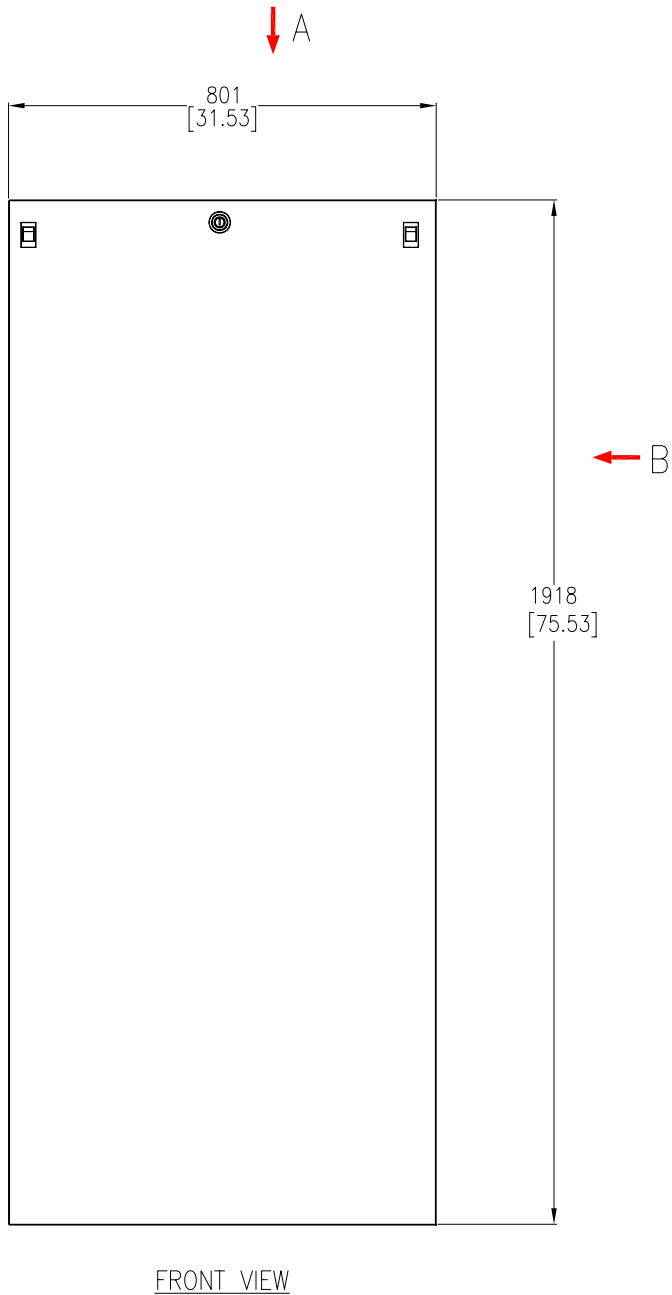
APPROVED: C.GUMMEY/C.ZALDAR/R.SUNAR/S.MACH

REV: 0

ANGLE PROJECTION

N.A

RACK SIDE PANEL-RIGHT (QTY.-1No.)



NOTES:

1. INSTALLATION MUST COMPLY WITH ALL APPLICABLE NATIONAL AND LOCAL CODES.
2. PLEASE REFER TO THE PRODUCT MANUALS FOR DETAILED INFORMATION.
3. ALL DIMENSIONS ARE IN MILLIMETERS [INCHES], UNLESS OTHERWISE SPECIFIED.

THIS DRAWING AND SPECIFICATIONS HEREIN ARE THE PROPERTY OF AMERICAN POWER CONVERSION AND SHALL NOT BE COPIED, REPRODUCED OR USED IN WHOLE OR IN PART, AS THE BASIS FOR THE MANUFACTURE OR SALE OF ITEMS WITHOUT WRITTEN PERMISSION FROM APC. THIS DRAWING IS BASED UPON LATEST AVAILABLE INFORMATION AND IS SUBJECT TO CHANGE WITHOUT NOTICE.



TITLE:
HOT AISLE CONTAINMENT SYSTEM
DOOR AND FRAME ASSEMBLY
SX TO VX (VX RIGHT SIDE)
RACK SIDE PANEL-RIGHT

PROJECT: SUBMITTAL DRAWINGS SHEET 7 OF 7

DWG NO: ACDC1017

DRAWN: K.NAGENDRA 07-AUG-08

ENGINEER: D.HUDSON/M.BROWN 11-AUG-08

APPROVED: C.CUMMISKEY/C.ZALDAR/R.SHAH/S.BAGH 11-AUG-08

REV. 0

ANGLE

PROJECTION

N.A