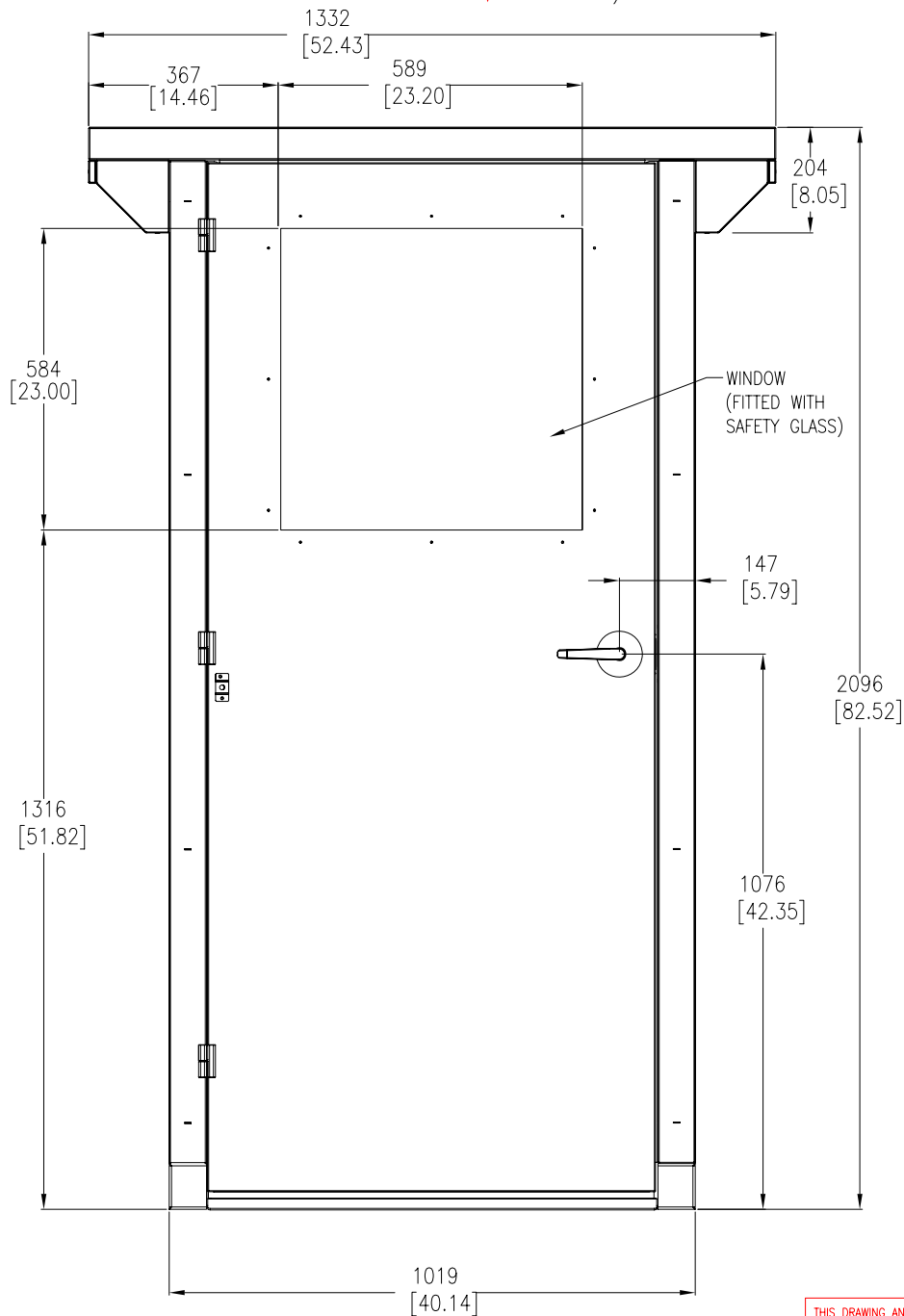


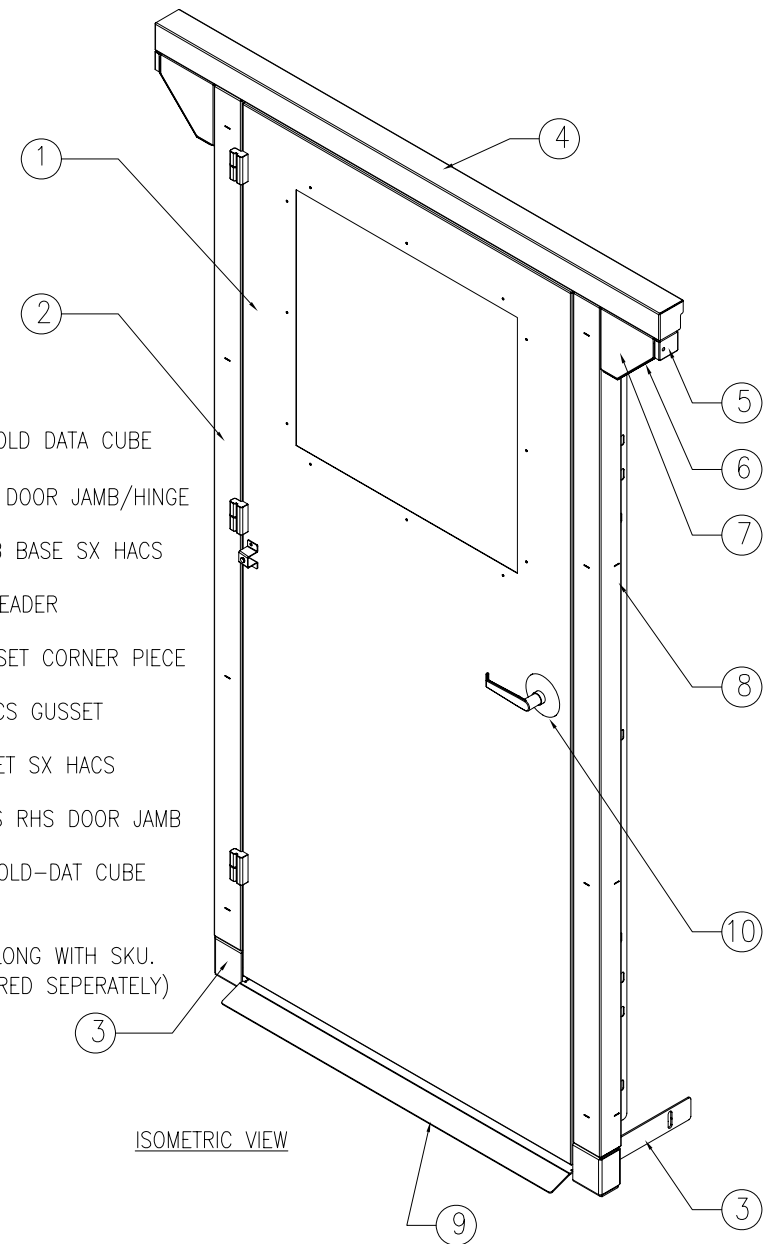
DOOR & FRAME ASSEMBLY

↓ A (REFER TO SHEET-2)



FRONT VIEW

← B (REFER TO SHEET-2)



- ① DOOR THRESHOLD DATA CUBE
- ② SX HACS LHS DOOR JAMB/HINGE
- ③ VERTICAL JAMB BASE SX HACS
- ④ HACS DOOR HEADER
- ⑤ SX HACS GUSSET CORNER PIECE
- ⑥ COVER SX HACS GUSSET
- ⑦ HEADER GUSSET SX HACS
- ⑧ ASSY SX HACS RHS DOOR JAMB
- ⑨ DOOR THRESHOLD-DAT CUBE
- ⑩ DOOR HANDLE (NOT SUPPLIED ALONG WITH SKU. SHOULD BE ORDERED SEPERATELY)

NOTES:

1. INSTALLATION MUST COMPLY WITH ALL APPLICABLE NATIONAL AND LOCAL CODES.
2. PLEASE REFER TO THE PRODUCT MANUALS FOR DETAILED INFORMATION.
3. ALL DIMENSIONS ARE IN MILLIMETERS [INCHES], UNLESS OTHERWISE SPECIFIED.
4. NET WEIGHT OF THE UNIT IS 68.18 kg [150 LBS].

THIS DRAWING AND SPECIFICATIONS HEREIN ARE THE PROPERTY OF AMERICAN POWER CONVERSION AND SHALL NOT BE COPIED, REPRODUCED OR USED IN WHOLE OR IN PART, AS THE BASIS FOR THE MANUFACTURE OR SALE OF ITEMS WITHOUT WRITTEN PERMISSION FROM APC. THIS DRAWING IS BASED UPON LATEST AVAILABLE INFORMATION AND IS SUBJECT TO CHANGE WITHOUT NOTICE.



TITLE:
HOT AISLE CONTAINMENT SYSTEM
DOOR AND FRAME ASSEMBLY
SX TO SX
ASSEMBLY

PROJECT: SUBMITTAL DRAWINGS SHEET 1 OF 6

DWG NO: ACDC1016

DRAWN: K.NAGENDRA 07-AUG-08

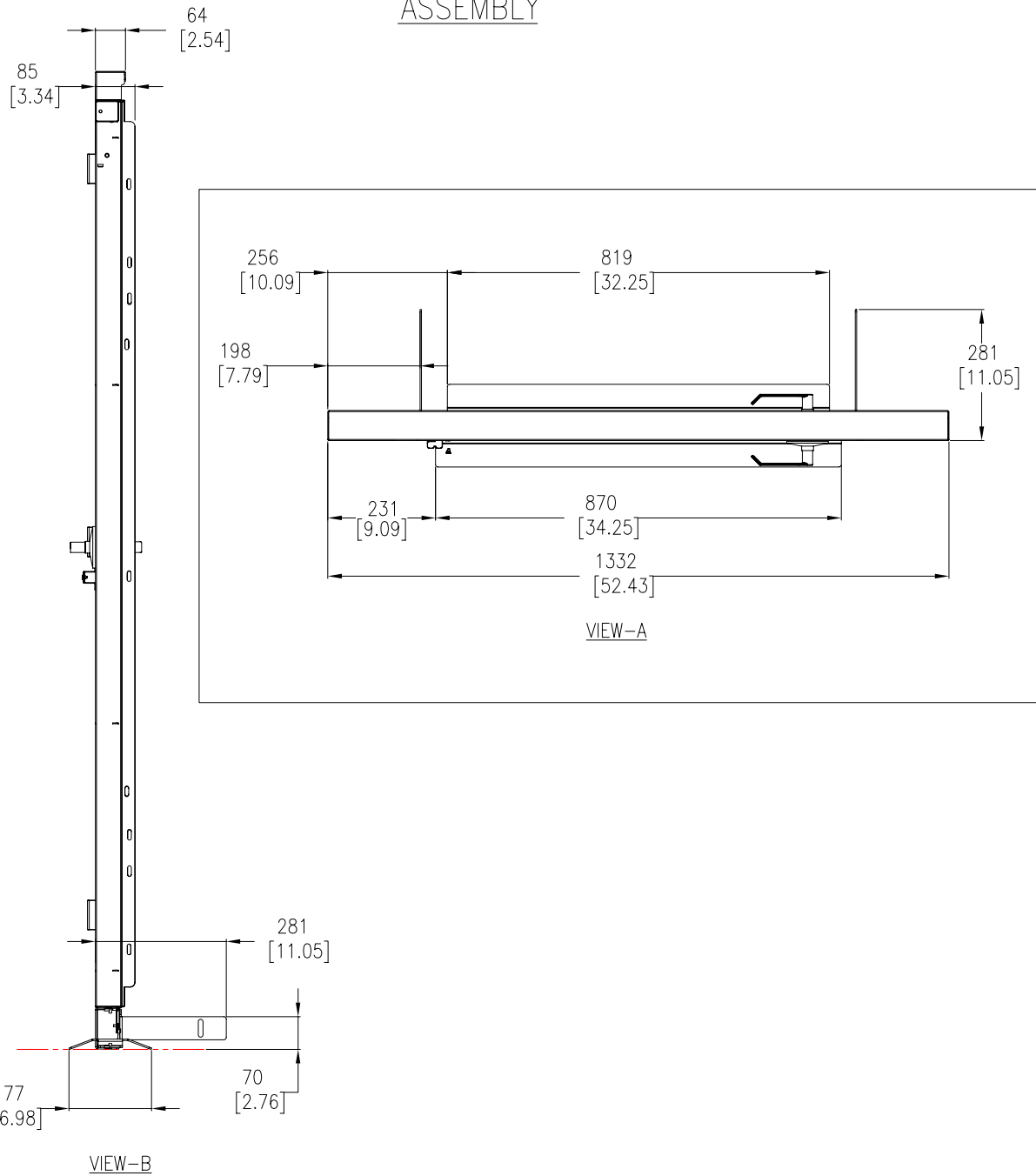
ENGINEER: D.HUDSON/M.BROWN 11-AUG-08

APPROVED: C.COMBES/K.CALDWELL/S.SUR/S.MACH 11-AUG-08

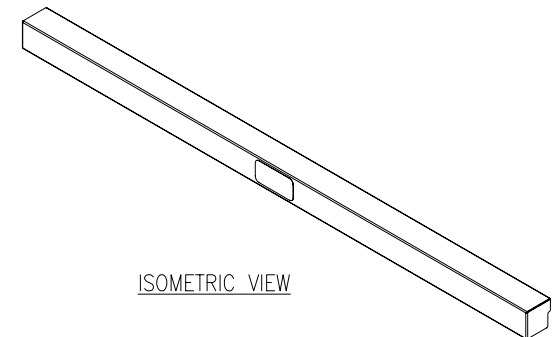
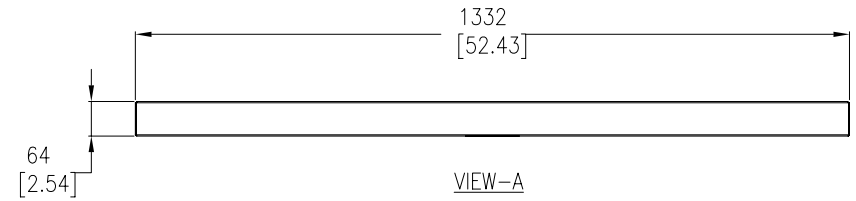
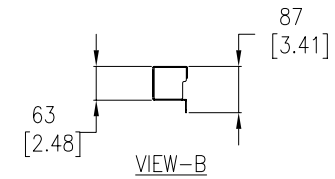
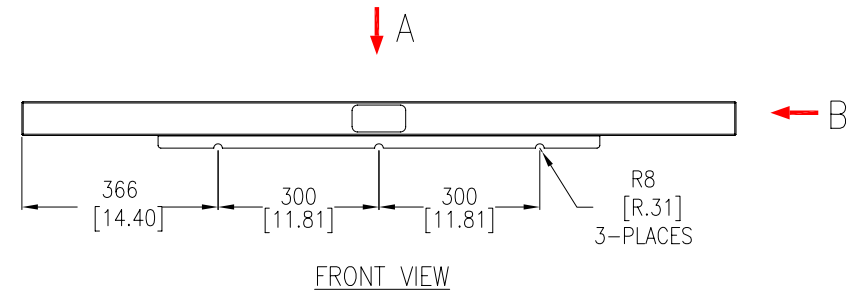
REV. 0

ANGLE PROJECTION
N.A

ASSEMBLY



DOOR HEADER (QTY.-1No.)



NOTES:

1. INSTALLATION MUST COMPLY WITH ALL APPLICABLE NATIONAL AND LOCAL CODES.
2. PLEASE REFER TO THE PRODUCT MANUALS FOR DETAILED INFORMATION.
3. ALL DIMENSIONS ARE IN MILLIMETERS [INCHES], UNLESS OTHERWISE SPECIFIED.

THIS DRAWING AND SPECIFICATIONS HEREIN ARE THE PROPERTY OF AMERICAN POWER CONVERSION AND SHALL NOT BE COPIED, REPRODUCED OR USED IN WHOLE OR IN PART, AS THE BASIS FOR THE MANUFACTURE OR SALE OF ITEMS WITHOUT WRITTEN PERMISSION FROM APC. THIS DRAWING IS BASED UPON LATEST AVAILABLE INFORMATION AND IS SUBJECT TO CHANGE WITHOUT NOTICE.



TITLE:
HOT AISLE CONTAINMENT SYSTEM
DOOR AND FRAME ASSEMBLY
SX TO SX
ASSEMBLY & DOOR HEADER

PROJECT: SUBMITTAL DRAWINGS SHEET 2 OF 6

DWG NO: ACDC1016

DRAWN: K.NAGENDRA 07-AUG-08

ENGINEER: D.HUDSON/M.BROWN 11-AUG-08

APPROVED: C.GUMMEBY/C.ZALDAR/R.SUNAR/S.MACH 11-AUG-08

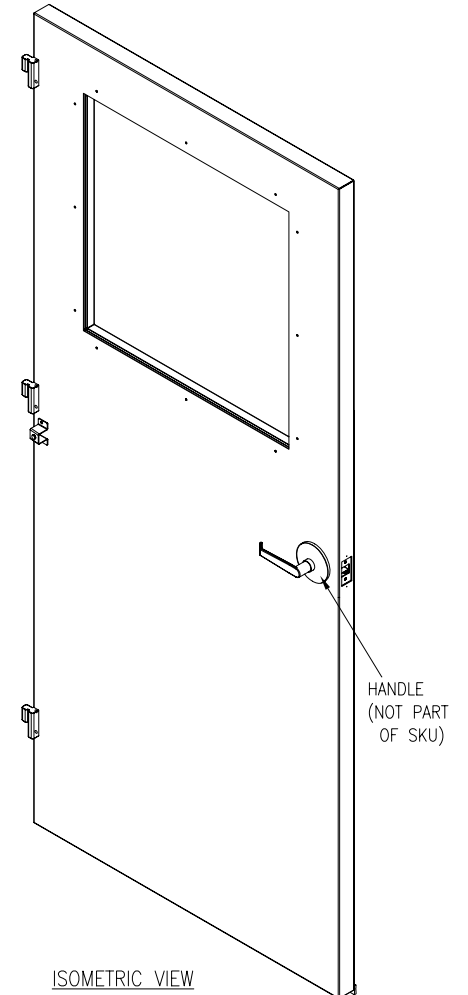
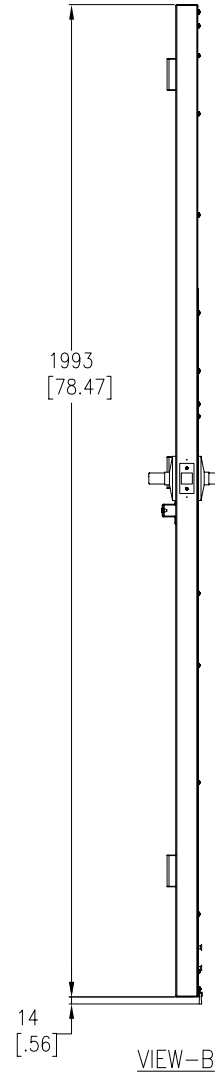
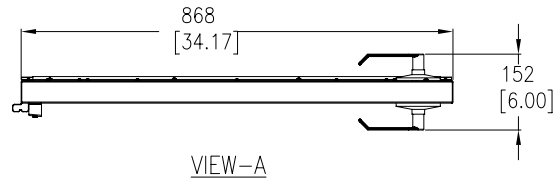
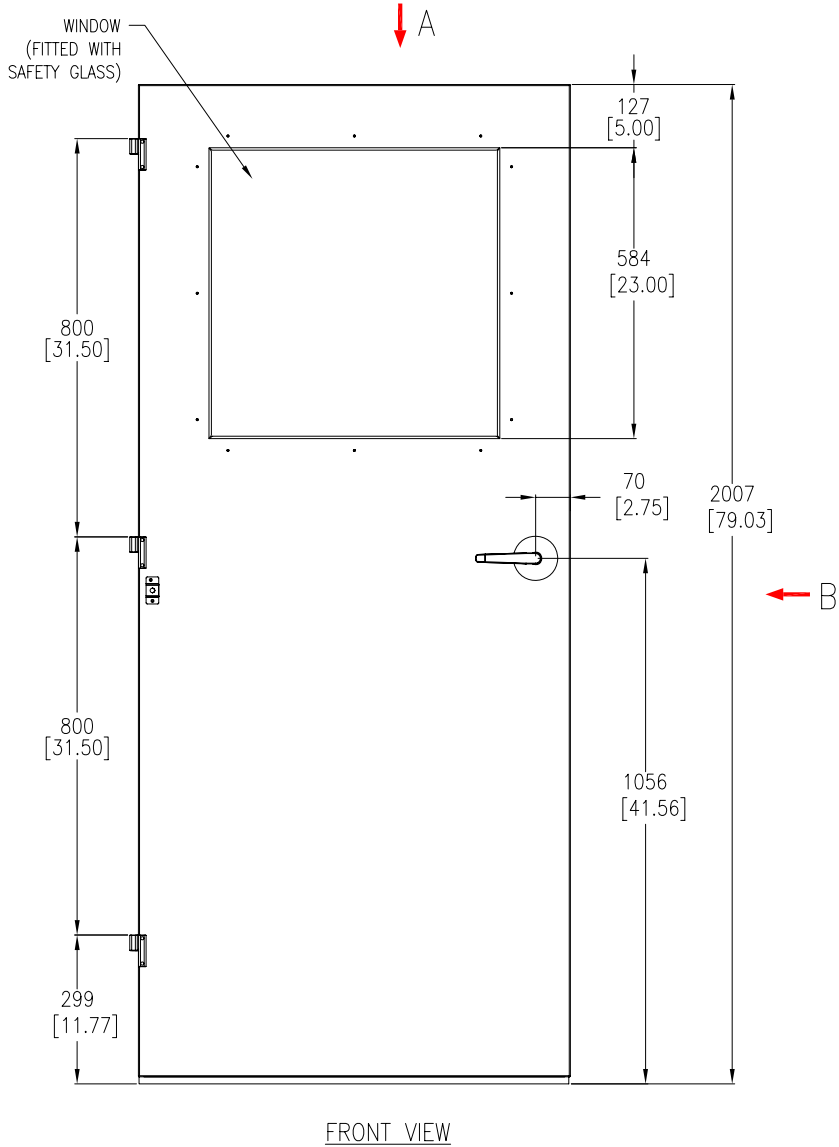
REV: 0

ANGLE

PROJECTION

N.A

DOOR DATACUBE ENTRY (QTY.-1No.)



NOTES:

1. INSTALLATION MUST COMPLY WITH ALL APPLICABLE NATIONAL AND LOCAL CODES.
2. PLEASE REFER TO THE PRODUCT MANUALS FOR DETAILED INFORMATION.
3. ALL DIMENSIONS ARE IN MILLIMETERS [INCHES], UNLESS OTHERWISE SPECIFIED.

THIS DRAWING AND SPECIFICATIONS HEREIN ARE THE PROPERTY OF AMERICAN POWER CONVERSION AND SHALL NOT BE COPIED, REPRODUCED OR USED IN WHOLE OR IN PART, AS THE BASIS FOR THE MANUFACTURE OR SALE OF ITEMS WITHOUT WRITTEN PERMISSION FROM APC. THIS DRAWING IS BASED UPON LATEST AVAILABLE INFORMATION AND IS SUBJECT TO CHANGE WITHOUT NOTICE.



TITLE:
HOT AISLE CONTAINMENT SYSTEM
DOOR AND FRAME ASSEMBLY
SX TO SX
DOOR DATACUBE ENTRY

PROJECT: SUBMITTAL DRAWINGS | SHEET 3 OF 6

DWG NO: ACDC1016

DRAWN: K.NAGENDRA 07-AUG-08

ENGINEER: D.HUDSON/M.BROWN 11-AUG-08

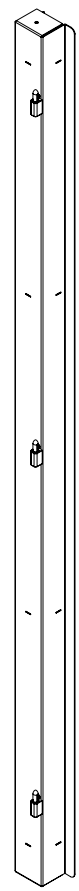
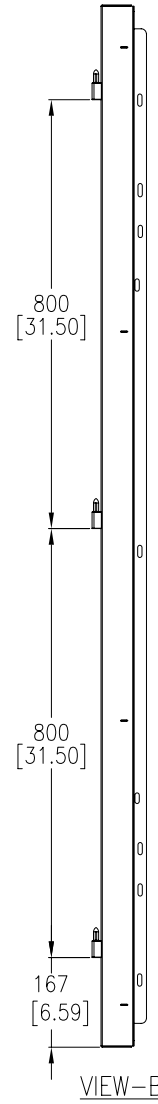
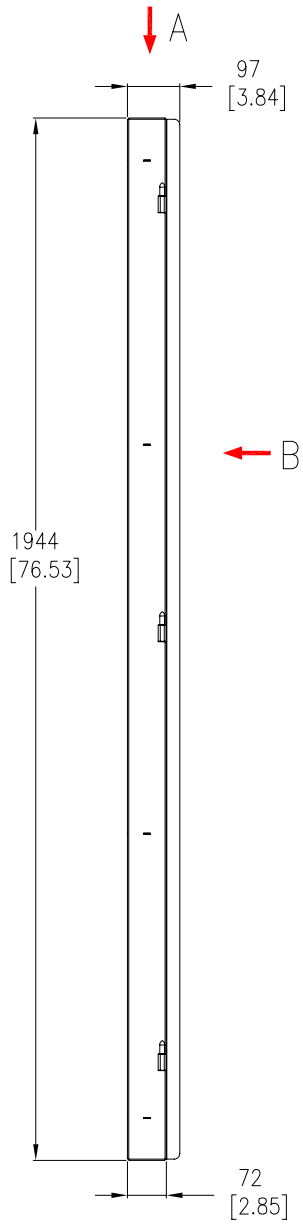
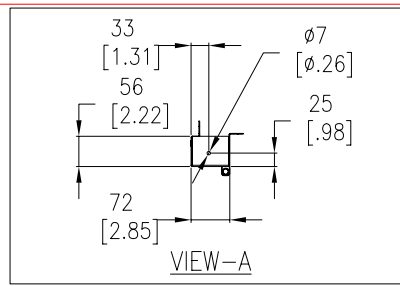
APPROVED: C.GUNDEKEY/C.ZALDAR/R.SUR/S.BAGH 11-AUG-08

REV. 0

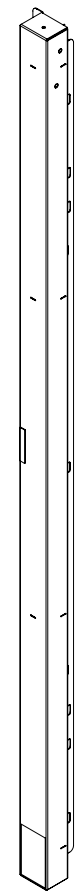
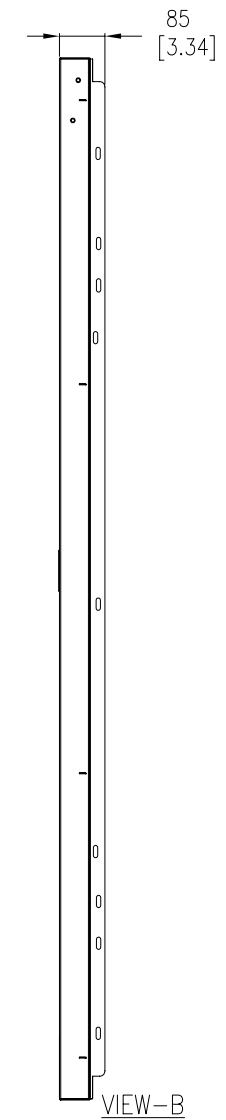
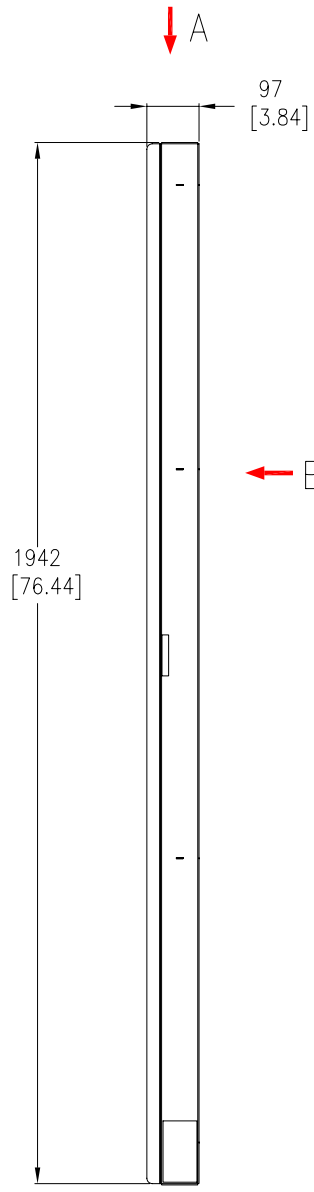
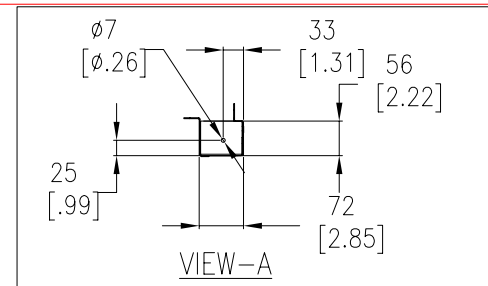
ANGLE PROJECTION

N.A

LHS DOOR JAMB (QTY.-1No.)



RHS DOOR JAMB (QTY.-1No.)



NOTES:

1. INSTALLATION MUST COMPLY WITH ALL APPLICABLE NATIONAL AND LOCAL CODES.
2. PLEASE REFER TO THE PRODUCT MANUALS FOR DETAILED INFORMATION.
3. ALL DIMENSIONS ARE IN MILLIMETERS [INCHES], UNLESS OTHERWISE SPECIFIED.

THIS DRAWING AND SPECIFICATIONS HEREIN ARE THE PROPERTY OF AMERICAN POWER CONVERSION AND SHALL NOT BE COPIED, REPRODUCED OR USED IN WHOLE OR IN PART, AS THE BASIS FOR THE MANUFACTURE OR SALE OF ITEMS WITHOUT WRITTEN PERMISSION FROM APC. THIS DRAWING IS BASED UPON LATEST AVAILABLE INFORMATION AND IS SUBJECT TO CHANGE WITHOUT NOTICE.



TITLE:
HOT AISLE CONTAINMENT SYSTEM
DOOR AND FRAME ASSEMBLY
SX TO SX
LHS & RHS DOOR JAMB

PROJECT: SUBMITTAL DRAWINGS SHEET 4 OF 6

DWG NO: ACDC1016

DRAWN: K.NAGENDRA 07-AUG-08

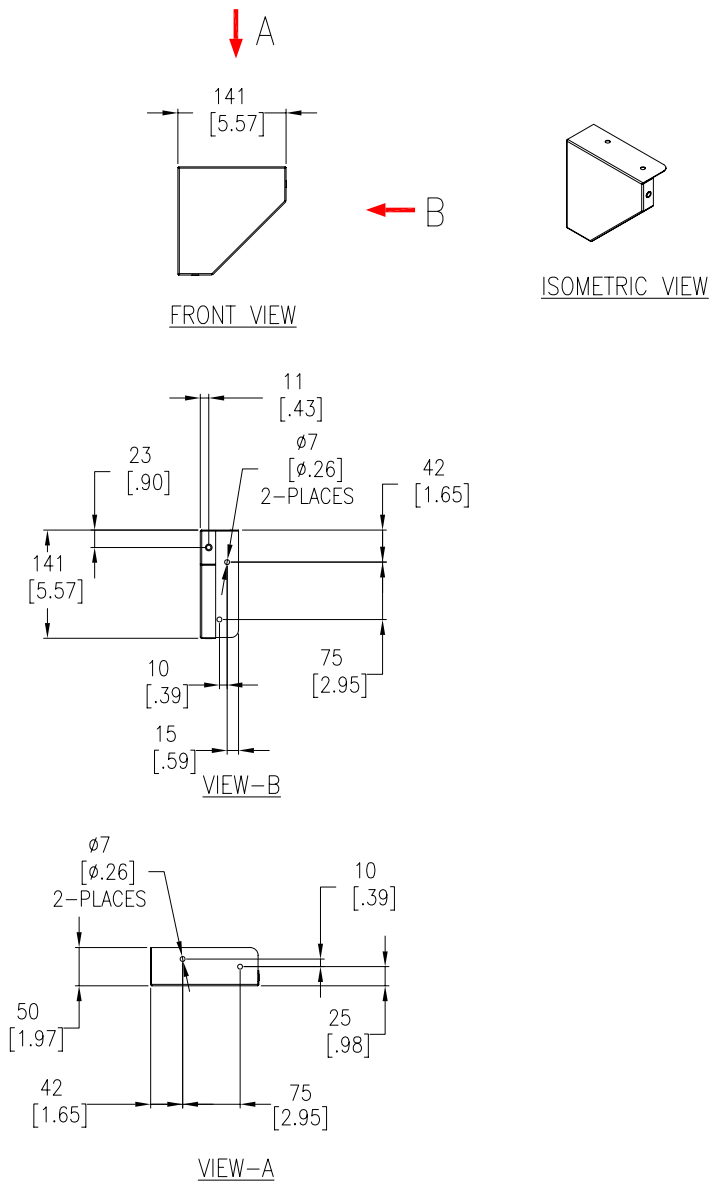
ENGINEER: D.HUDSON/M.BROWN 11-AUG-08

APPROVED: C.GUMMEY/C.ZALDAR/R.SUR/S.MACH 11-AUG-08

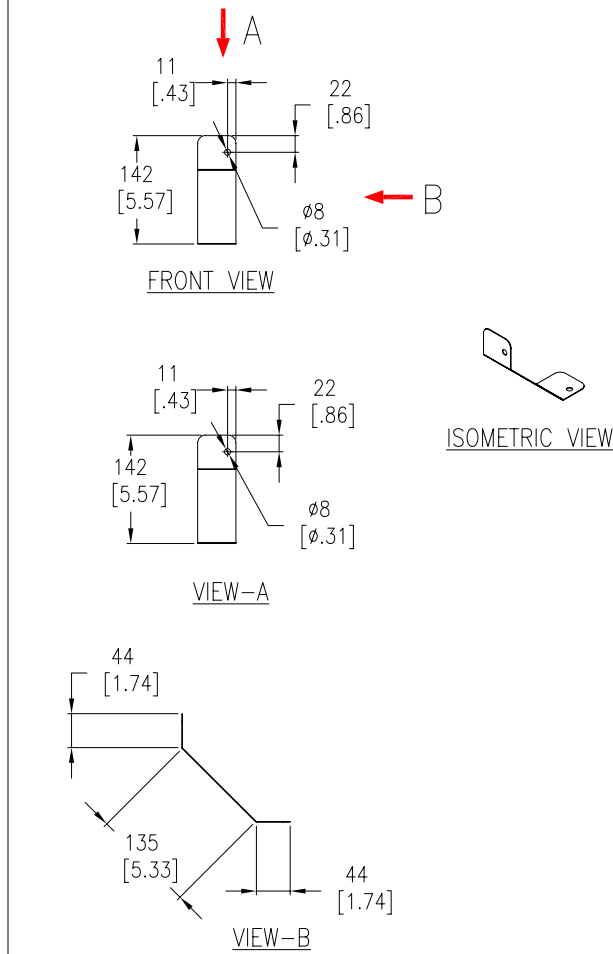
REV. 0

ANGLE PROJECTION N.A

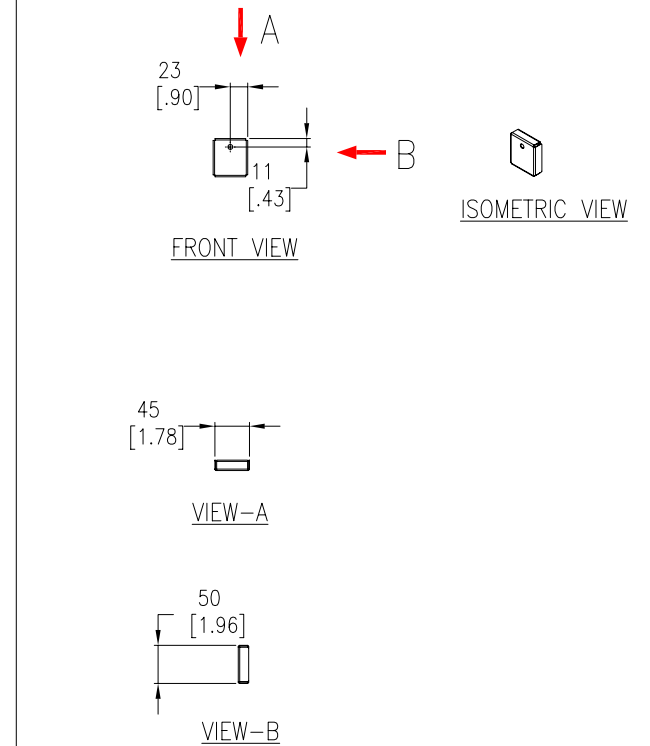
HEADER GUSSET SX HACS(QTY.-2No's)



COVER SX HACS GUSSET(QTY.-2No's)



SX HACS GUSSET CORNER PIECE(QTY.-2No's)



NOTES:

1. INSTALLATION MUST COMPLY WITH ALL APPLICABLE NATIONAL AND LOCAL CODES.
2. PLEASE REFER TO THE PRODUCT MANUALS FOR DETAILED INFORMATION.
3. ALL DIMENSIONS ARE IN MILLIMETERS [INCHES], UNLESS OTHERWISE SPECIFIED.

THIS DRAWING AND SPECIFICATIONS HEREIN ARE THE PROPERTY OF AMERICAN POWER CONVERSION AND SHALL NOT BE COPIED, REPRODUCED OR USED IN WHOLE OR IN PART, AS THE BASIS FOR THE MANUFACTURE OR SALE OF ITEMS WITHOUT WRITTEN PERMISSION FROM APC. THIS DRAWING IS BASED UPON LATEST AVAILABLE INFORMATION AND IS SUBJECT TO CHANGE WITHOUT NOTICE.



TITLE:
HOT AISLE CONTAINMENT SYSTEM
DOOR AND FRAME ASSEMBLY
SX TO SX
GUSSET DETAILS

PROJECT: SUBMITTAL DRAWINGS SHEET 5 OF 6

DWG NO: ACDC1016

DRAWN: K.NAGENDRA 07-AUG-08

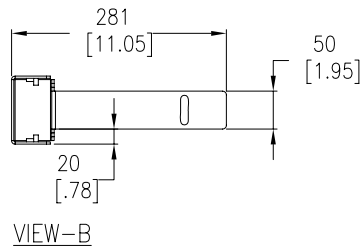
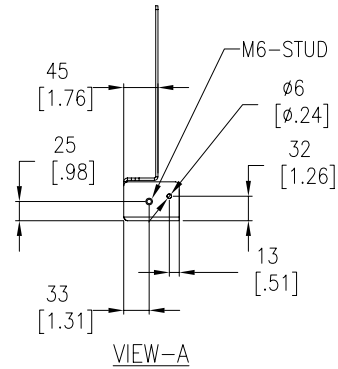
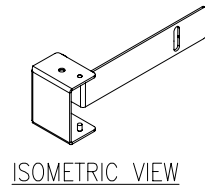
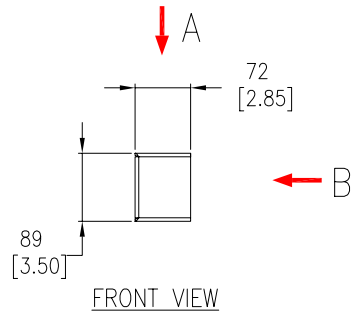
ENGINEER: D.HUDSON/M.BROWN 11-AUG-08

APPROVED: C.GUMBEK/C.ZALDIAR/R.SUR/S.MACH 11-AUG-08

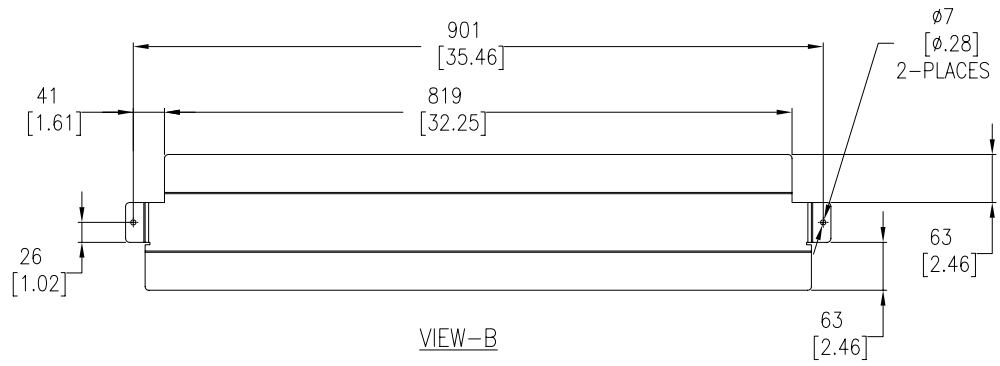
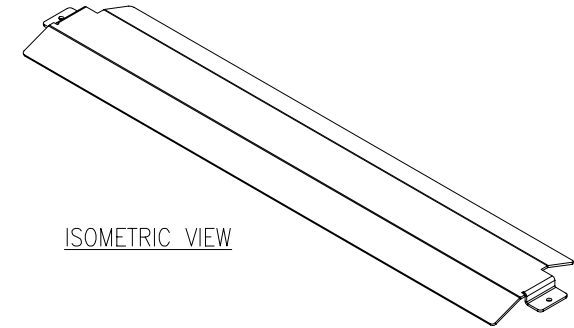
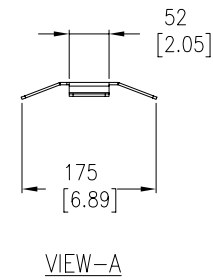
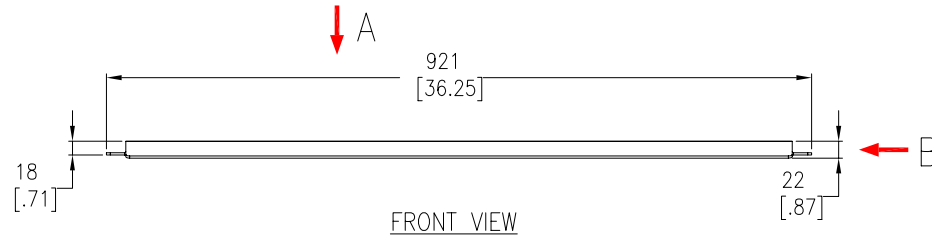
REV: 0

ANGLE PROJECTION
N.A

VERTICAL JAMB BASE SX HACS (QTY.-2No's)



DOOR THRESHOLD-DATA CUBE(QTY.-1No.)



NOTES:

1. INSTALLATION MUST COMPLY WITH ALL APPLICABLE NATIONAL AND LOCAL CODES.
2. PLEASE REFER TO THE PRODUCT MANUALS FOR DETAILED INFORMATION.
3. ALL DIMENSIONS ARE IN MILLIMETERS [INCHES], UNLESS OTHERWISE SPECIFIED.

THIS DRAWING AND SPECIFICATIONS HEREIN ARE THE PROPERTY OF AMERICAN POWER CONVERSION AND SHALL NOT BE COPIED, REPRODUCED OR USED IN WHOLE OR IN PART, AS THE BASIS FOR THE MANUFACTURE OR SALE OF ITEMS WITHOUT WRITTEN PERMISSION FROM APC. THIS DRAWING IS BASED UPON LATEST AVAILABLE INFORMATION AND IS SUBJECT TO CHANGE WITHOUT NOTICE.



TITLE:
HOT AISLE CONTAINMENT SYSTEM
DOOR AND FRAME ASSEMBLY
SX TO SX
JAMB BASE & DOOR THRESHOLD

PROJECT: SUBMITTAL DRAWINGS SHEET 6 OF 6

DWG NO: ACDC1016

DRAWN: K.NAGENDRA 07-AUG-08

ENGINEER: D.HUDSON/M.BROWN 11-AUG-08

APPROVED: C.GUMMEBY/C.ZALDAR/R.SUNAR/S.MACH 11-AUG-08

REV. 0

ANGLE PROJECTION
N.A