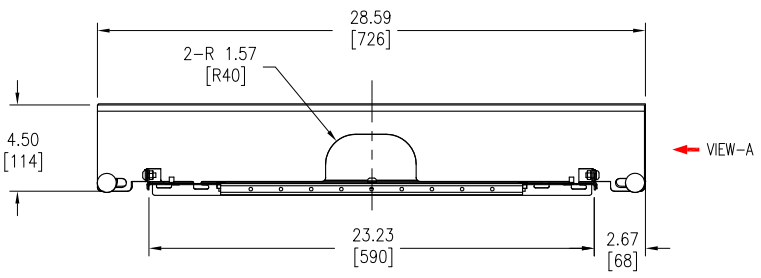


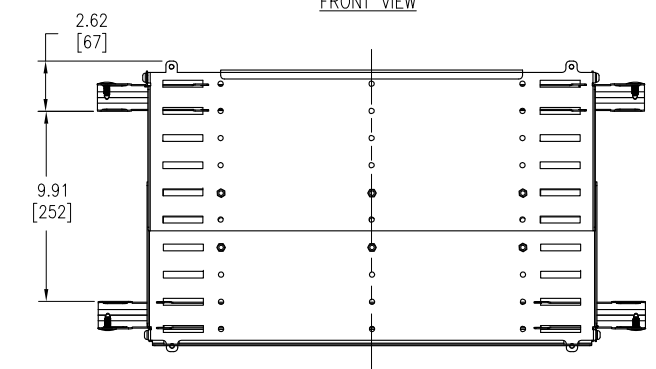
VIEW-B  
[TOP VIEW]

VIEW-B  
↓



FRONT VIEW

VIEW-A  
←

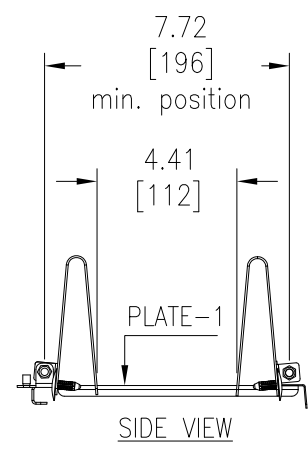


BOTTOM VIEW

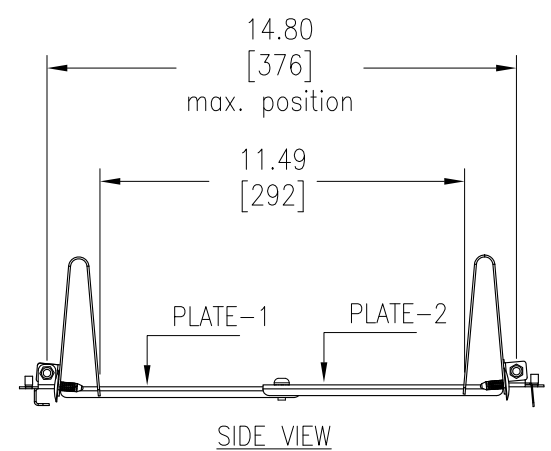
5

PARTITION PIECES MOUNTING POSITIONS

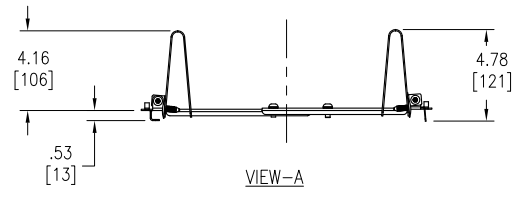
Allowable minimum and maximum mounting positions  
(For min. position use only one Plate)



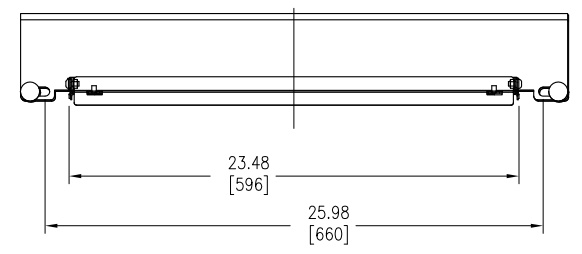
SIDE VIEW



SIDE VIEW



VIEW-A



REAR VIEW

NOTES:

1. INSTALLATION SHALL COMPLY WITH ALL APPLICABLE NATIONAL, STATE AND LOCAL CODES.
2. SEE PRODUCT DOCUMENTATION FOR FURTHER INFORMATION
3. UNLESS OTHERWISE SPECIFIED, ALL DIMENSIONS ARE IN INCHES[MILLIMETERS].
4. WEIGHT OF UNIT IS 14.5 LBS [6.59 KG].
- Δ 5. SKU SHOWN WITH TWO SLIDING PLATES. FOR MINIMUM POSITION USE ONLY ONE PLATE.

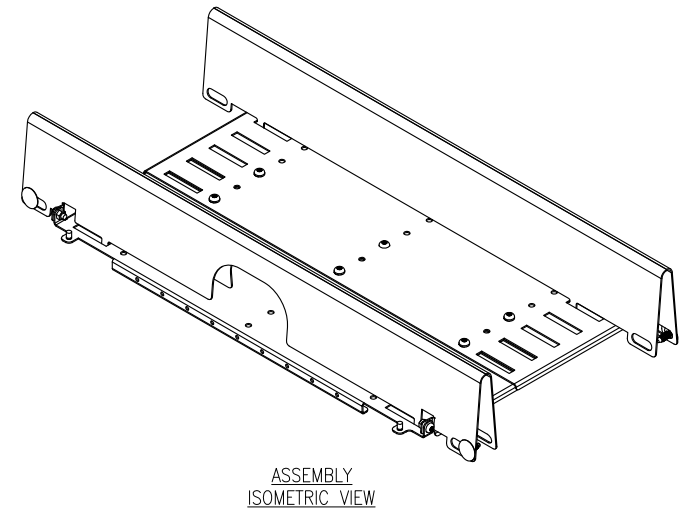
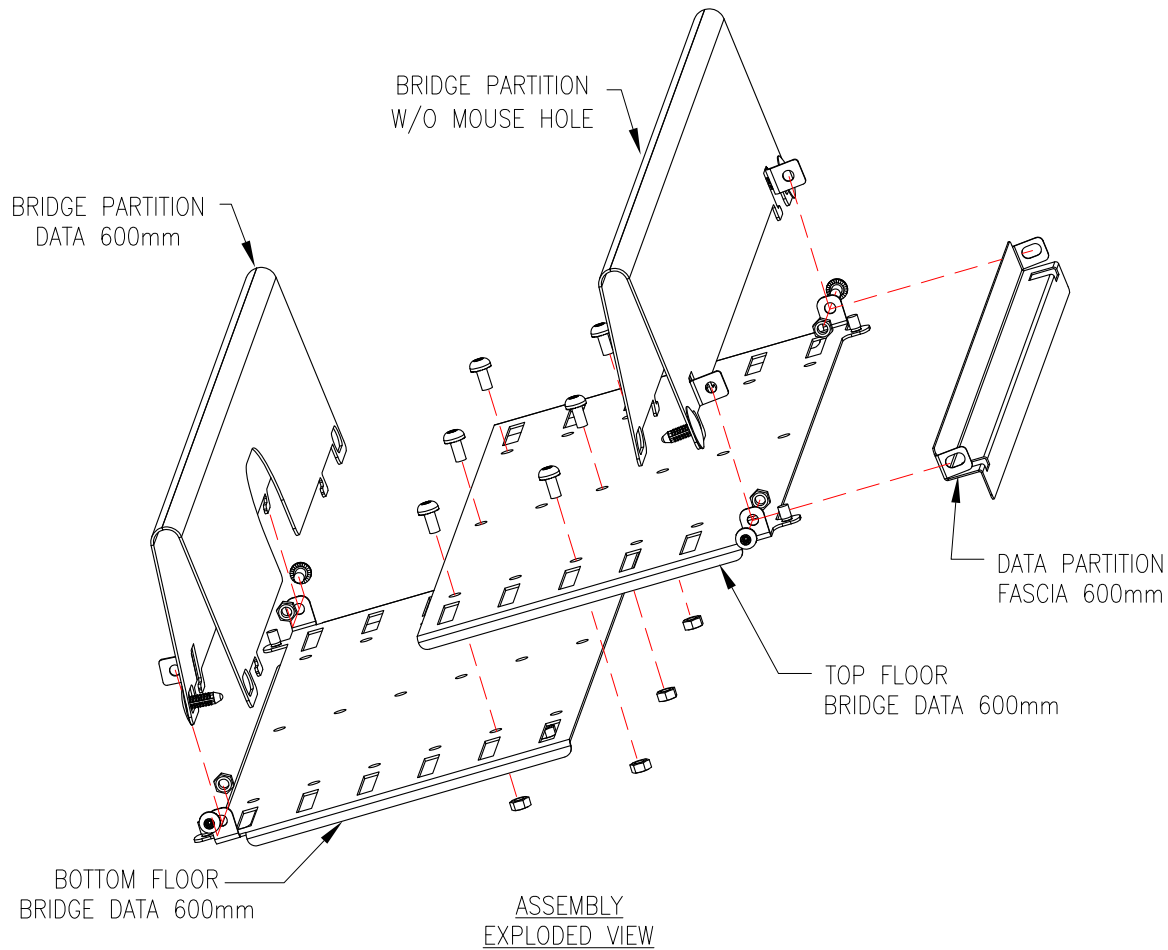
THIS DRAWING AND SPECIFICATIONS HEREIN ARE THE PROPERTY OF SCHNEIDER ELECTRIC AND SHALL NOT BE COPIED, REPRODUCED OR USED IN WHOLE OR IN PART, AS THE BASIS FOR THE MANUFACTURE OR SALE OF ITEMS WITHOUT WRITTEN PERMISSION FROM SCHNEIDER ELECTRIC. THIS DRAWING IS BASED UPON LATEST AVAILABLE INFORMATION AND IS SUBJECT TO CHANGE WITHOUT NOTICE.



TITLE: InfraStruXure  
INROW RP  
INROW BRIDGE PARTITION  
DATA CABLE 600mm  
MAIN MECHANICAL - 1  
PROJECT: STD SUBMITTAL DRAWINGS SHEET 1 OF 3

DWG NO: ACAC10010-MM1  
DRAWN BY: V BUSH 30-SEP-10  
ENGINEER: G IVEY/M BROWN 30-SEP-10  
APPROVED BY: J WOOD/C ZALOW/R SHAF/S BUGH 30-SEP-10

REV. 1  
THIRD ANGLE PROJ



**NOTES:**

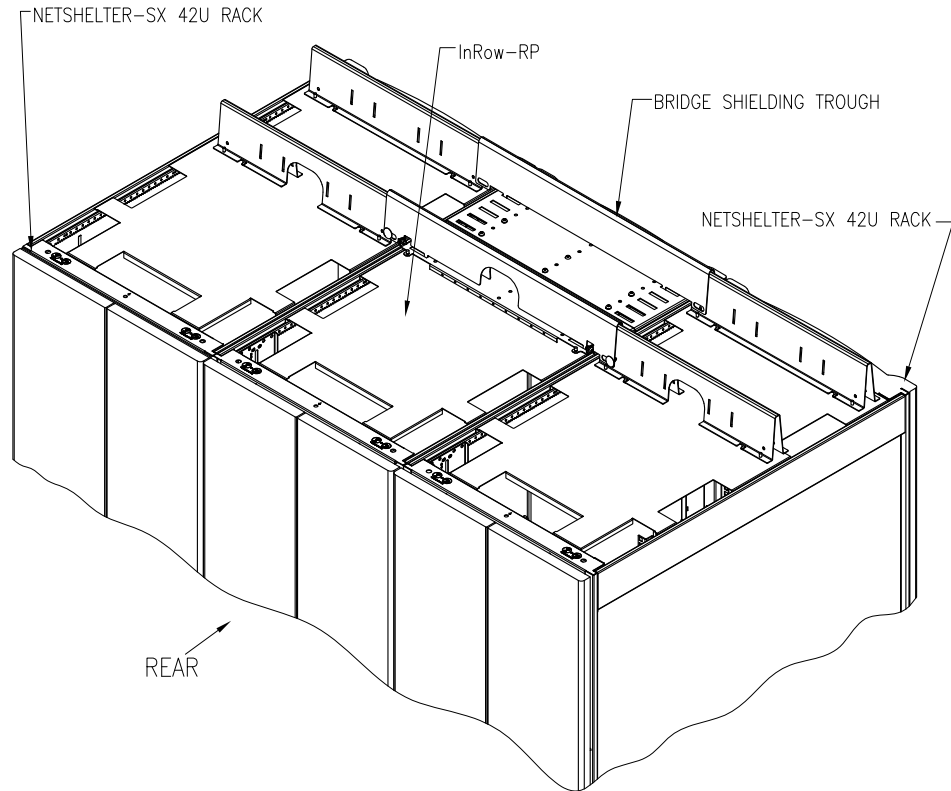
1. INSTALLATION SHALL COMPLY WITH ALL APPLICABLE NATIONAL, STATE AND LOCAL CODES.
2. SEE PRODUCT DOCUMENTATION FOR FURTHER INFORMATION
3. UNLESS OTHERWISE SPECIFIED, ALL DIMENSIONS ARE IN INCHES[MILLIMETERS].

THIS DRAWING AND SPECIFICATIONS HEREIN ARE THE PROPERTY OF SCHNEIDER ELECTRIC AND SHALL NOT BE COPIED, REPRODUCED OR USED IN WHOLE OR IN PART, AS THE BASIS FOR THE MANUFACTURE OR SALE OF ITEMS WITHOUT WRITTEN PERMISSION FROM SCHNEIDER ELECTRIC. THIS DRAWING IS BASED UPON LATEST AVAILABLE INFORMATION AND IS SUBJECT TO CHANGE WITHOUT NOTICE.

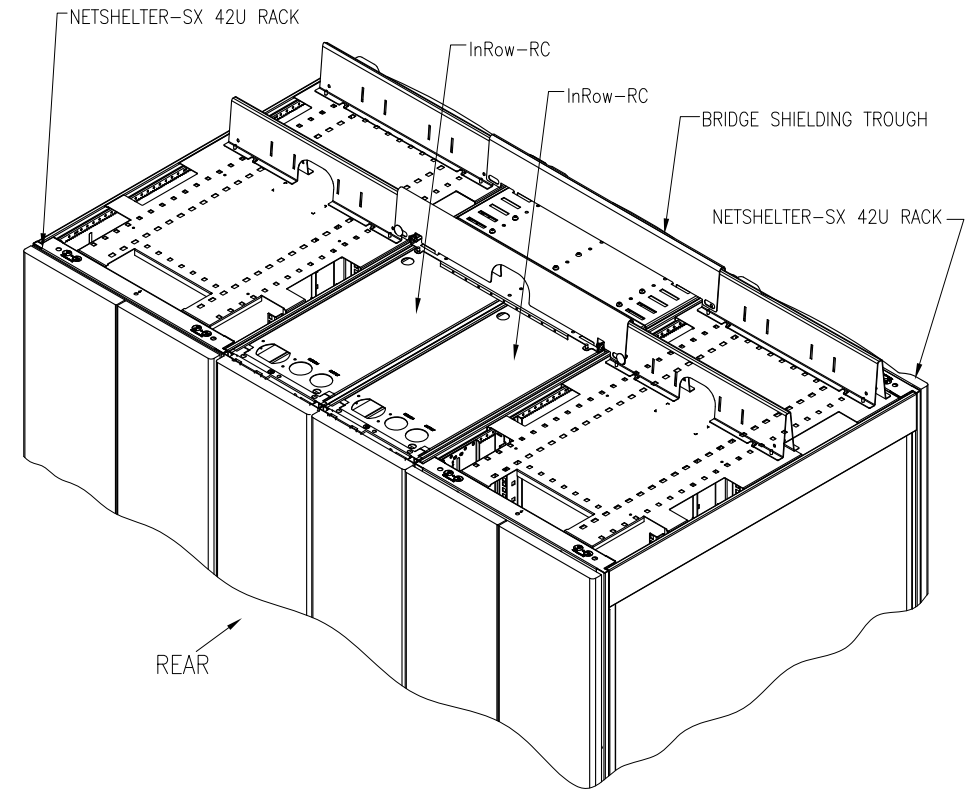


TITLE: InfraStruXure INROW RP INROW BRIDGE PARTITION DATA CABLE 600mm MAIN MECHANICAL - 2	DWG NO: ACAC10010-MM2		REV. 1
	DRAWN BY: V BUSH	30-SEP-10	THIRD ANGLE PROJ
PROJECT: STD SUBMITTAL DRAWINGS SHEET 2 OF 3	ENGINEER: G IVEY/M BROWN	30-SEP-10	
	APPROVED BY: D MOODY/C ZALOW/R SHAF/S MGH	30-SEP-10	

TYPICAL APPLICATION OF BRIDGE PARTITION  
WITH SX RACKS AND RP UNIT



TYPICAL APPLICATION OF BRIDGE PARTITION  
WITH SX RACKS AND 2xRC UNIT



NOTES:

1. INSTALLATION SHALL COMPLY WITH ALL APPLICABLE NATIONAL, STATE AND LOCAL CODES.
2. SEE PRODUCT DOCUMENTATION FOR FURTHER INFORMATION

THIS DRAWING AND SPECIFICATIONS HEREIN ARE THE PROPERTY OF SCHNEIDER ELECTRIC AND SHALL NOT BE COPIED, REPRODUCED OR USED IN WHOLE OR IN PART, AS THE BASIS FOR THE MANUFACTURE OR SALE OF ITEMS WITHOUT WRITTEN PERMISSION FROM SCHNEIDER ELECTRIC. THIS DRAWING IS BASED UPON LATEST AVAILABLE INFORMATION AND IS SUBJECT TO CHANGE WITHOUT NOTICE.



TITLE: InfraStruXure  
INROW RP  
INROW BRIDGE PARTITION  
DATA CABLE 600mm  
TYPICAL INSTALLATION

PROJECT: STD SUBMITTAL DRAWINGS SHEET 3 OF 3

DWG NO: ACAC10010-MM3

DRAWN BY: V BUSH	30-SEP-10
ENGINEER: G IVEY/M BROWN	30-SEP-10
APPROVED BY: D WOOD/C ZALOW/R SHAF/S WICH	30-SEP-10

REV. 1

THIRD ANGLE PROJ