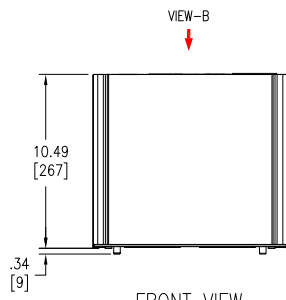
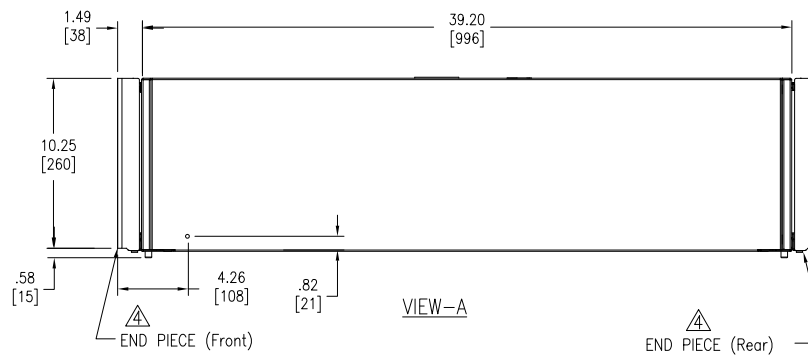


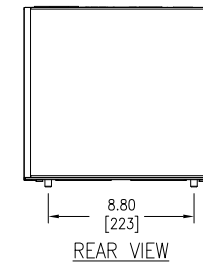
VIEW-B
[TOP VIEW]



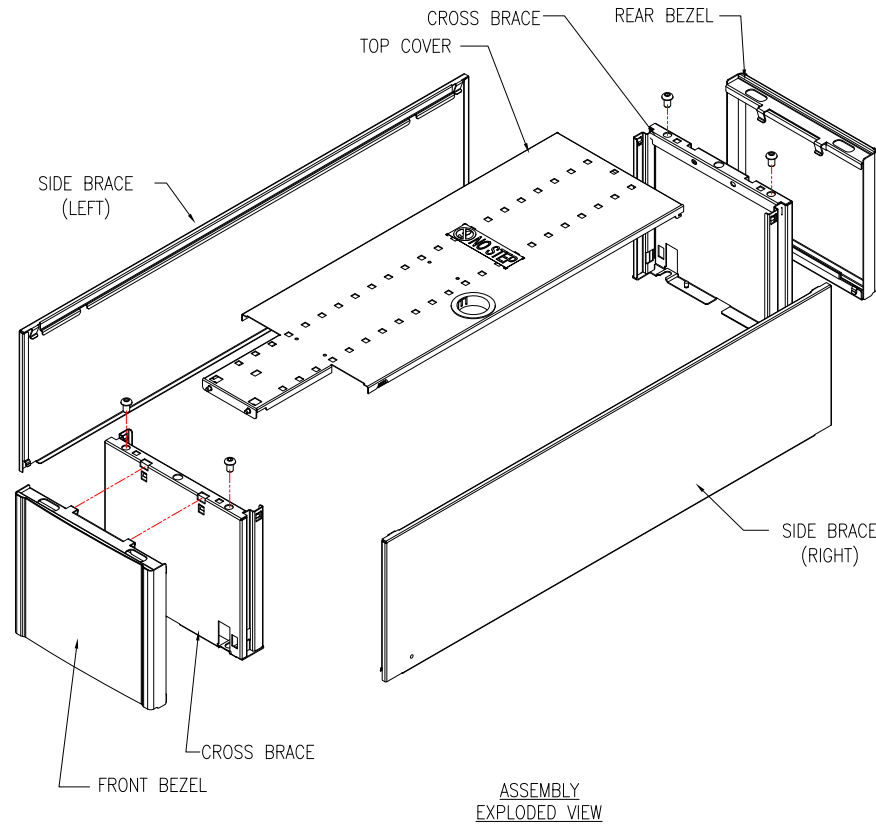
FRONT VIEW



VIEW-A



REAR VIEW



ASSEMBLY
EXPLODED VIEW

NOTES:

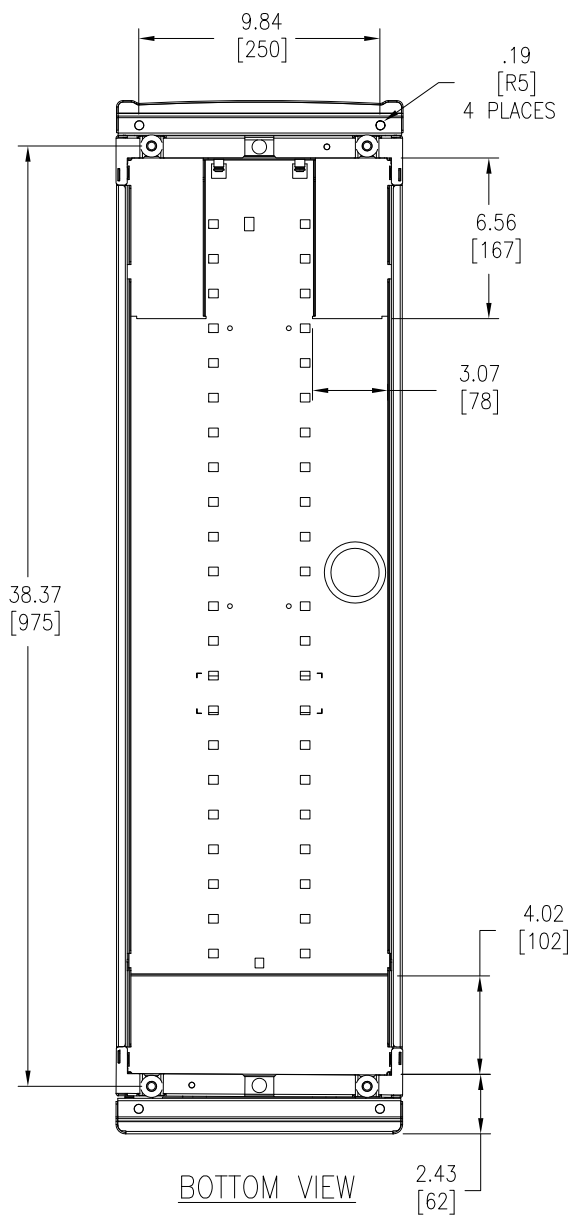
1. INSTALLATION SHALL COMPLY WITH ALL APPLICABLE NATIONAL, STATE AND LOCAL CODES.
2. SEE PRODUCT DOCUMENTATION FOR FURTHER INFORMATION
3. UNLESS OTHERWISE SPECIFIED, ALL DIMENSIONS ARE IN INCHES[MILLIMETERS].
- △4. FRONT, REAR END PIECES AND SIDE BRACES ARE OF REMOVABLE TYPE.
5. WEIGHT OF UNIT IS 30.5LBS [13.86 KG].
- △6. OPENING IS ONLY COMPATIBLE WITH RC PIPING.

THIS DRAWING AND SPECIFICATIONS HEREIN ARE THE PROPERTY OF SCHNEIDER ELECTRIC AND SHALL NOT BE COPIED, REPRODUCED OR USED IN WHOLE OR IN PART, AS THE BASIS FOR THE MANUFACTURE OR SALE OF ITEMS WITHOUT WRITTEN PERMISSION FROM SCHNEIDER ELECTRIC. THIS DRAWING IS BASED UPON LATEST AVAILABLE INFORMATION AND IS SUBJECT TO CHANGE WITHOUT NOTICE.

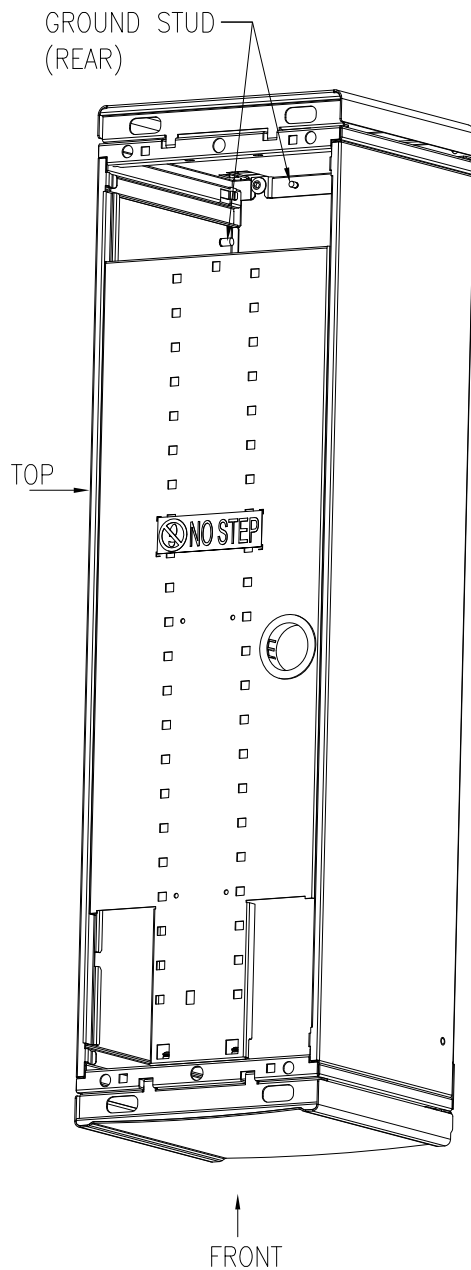


TITLE: InfraStruXure
INROW RC
INROW ROOF HEIGHT ADAPTER
SX42U TO VX48U, 300mm
MAIN MECHANICAL - 1
PROJECT: STD SUBMITTAL DRAWINGS SHEET 1 OF 3

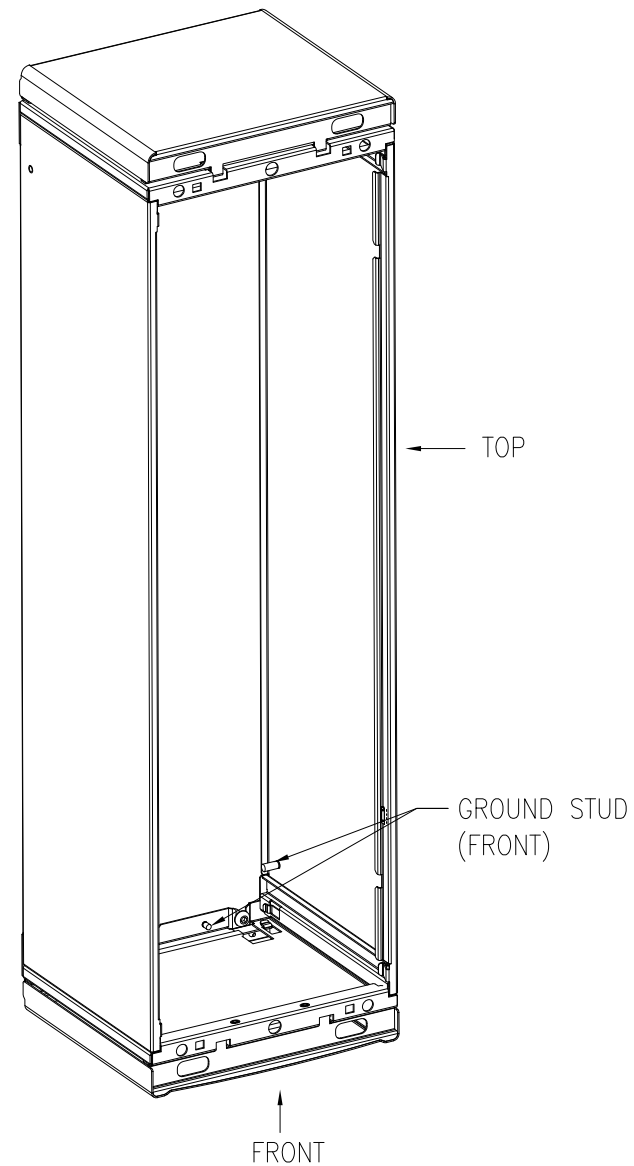
DWG NO:	ACAC10007-MM1	REV:	1
DRAWN BY:	V BUSH	DATE:	30-SEP-10
ENGINEER:	G VEY/M BROWN	DATE:	30-SEP-10
APPROVED BY:	D WOOD/C ZULMER/S SHIP/S WASH	DATE:	30-SEP-10
		ANGLE	THIRD
		PROJ	PROJ



ASSEMBLY
ISOMETRIC VIEW



ASSEMBLY
(ROOF COVER REMOVED)
ISOMETRIC VIEW



NOTES:

1. INSTALLATION SHALL COMPLY WITH ALL APPLICABLE NATIONAL, STATE AND LOCAL CODES.
2. SEE PRODUCT DOCUMENTATION FOR FURTHER INFORMATION
3. UNLESS OTHERWISE SPECIFIED, ALL DIMENSIONS ARE IN INCHES[MILLIMETERS].

THIS DRAWING AND SPECIFICATIONS HEREIN ARE THE PROPERTY OF SCHNEIDER ELECTRIC AND SHALL NOT BE COPIED, REPRODUCED OR USED IN WHOLE OR IN PART, AS THE BASIS FOR THE MANUFACTURE OR SALE OF ITEMS WITHOUT WRITTEN PERMISSION FROM SCHNEIDER ELECTRIC. THIS DRAWING IS BASED UPON LATEST AVAILABLE INFORMATION AND IS SUBJECT TO CHANGE WITHOUT NOTICE.



TITLE: InfraStruXure
INROW RC
INROW ROOF HEIGHT ADAPTER
SX42U TO VX48U, 500mm
MAIN MECHANICAL - 2

PROJECT: STD SUBMITTAL DRAWINGS SHEET 2 OF 3

DWG NO: ACAC10007-MM2

DRAWN BY: V BUSH 30-SEP-10

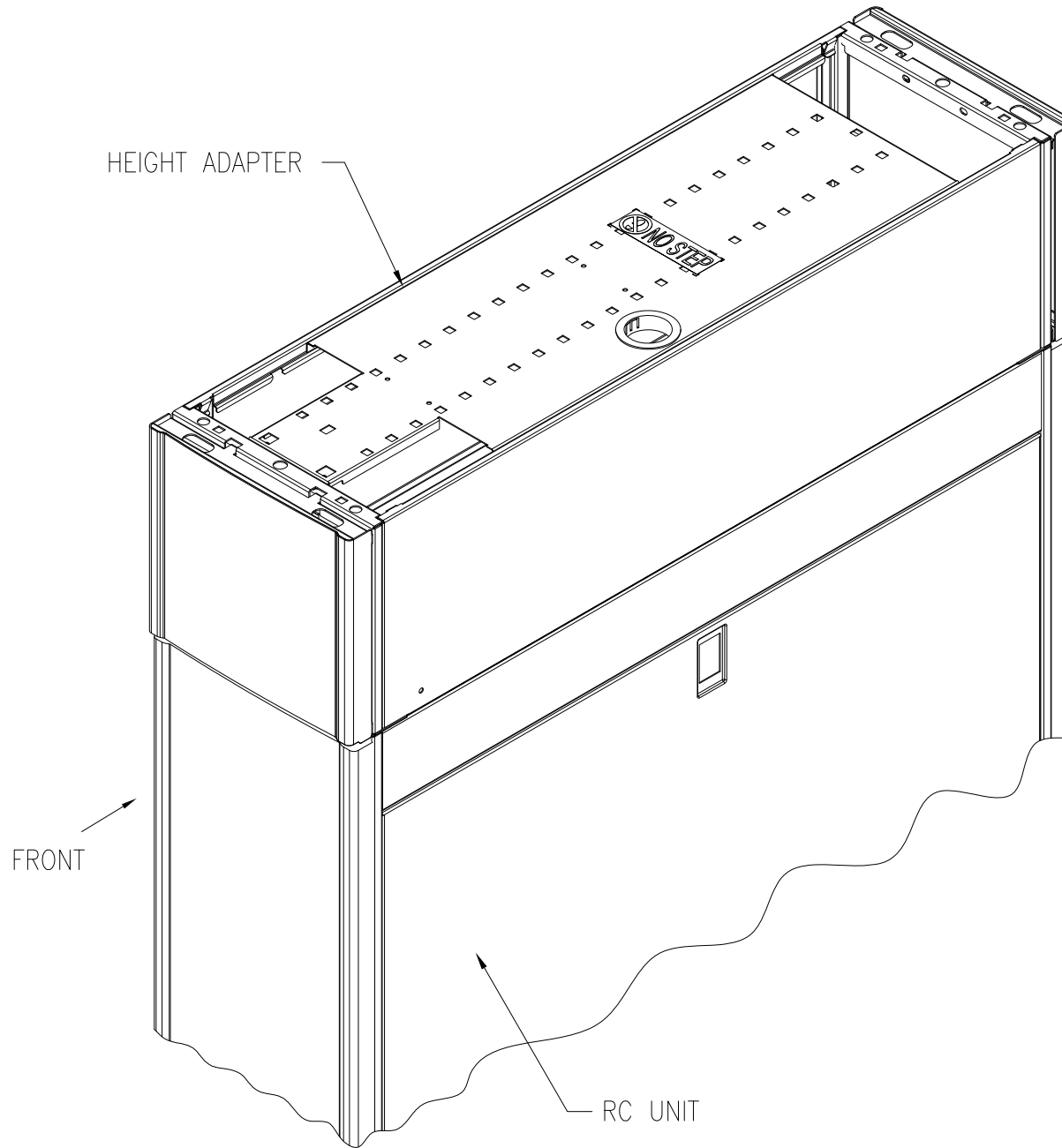
ENGINEER: G IVEY/M BROWN 30-SEP-10

APPROVED BY: D MCKAY/S ZILMAN/R SHIP/S INGH 30-SEP-10.

REV. 1

THIRD
ANGLE
PROJ

TYPICAL APPLICATION OF HEIGHT ADAPTER FOR InRow RC TO 48U SX RACKS



NOTES:

1. INSTALLATION SHALL COMPLY WITH ALL APPLICABLE NATIONAL, STATE AND LOCAL CODES.
2. SEE PRODUCT DOCUMENTATION FOR FURTHER INFORMATION

THIS DRAWING AND SPECIFICATIONS HEREIN ARE THE PROPERTY OF SCHNEIDER ELECTRIC AND SHALL NOT BE COPIED, REPRODUCED OR USED IN WHOLE OR IN PART, AS THE BASIS FOR THE MANUFACTURE OR SALE OF ITEMS WITHOUT WRITTEN PERMISSION FROM SCHNEIDER ELECTRIC. THIS DRAWING IS BASED UPON LATEST AVAILABLE INFORMATION AND IS SUBJECT TO CHANGE WITHOUT NOTICE.



TITLE: InRow RC
INROW RC
INROW ROOF HEIGHT ADAPTER
SX42U TO VX48U, 300mm
TYPICAL INSTALLATION

PROJECT: STD SUBMITTAL DRAWINGS SHEET 3 OF 3

DWG NO: ACAC10007-MM3

DRAWN BY: V BUSH 30-SEP-10

ENGINEER: G IVEY/M BROWN 30-SEP-10

APPROVED BY: D MAXON/S ZILMAN/R SHIP/S INGH 30-SEP-10.

REV. 1

THIRD ANGLE PROJ