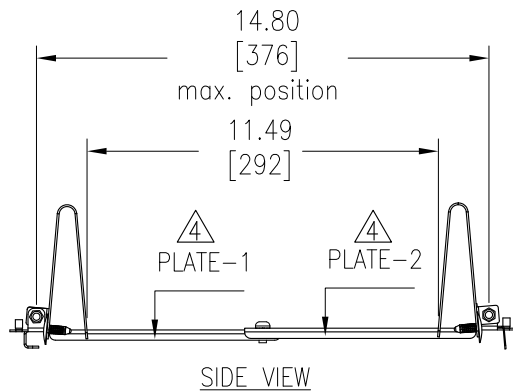
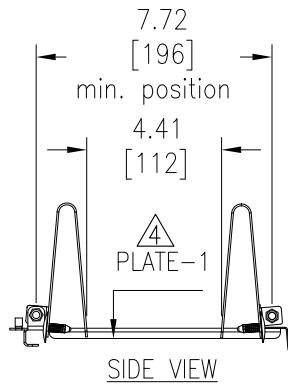


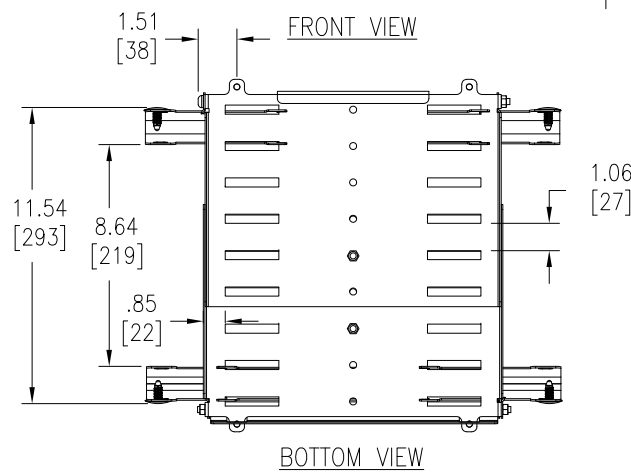
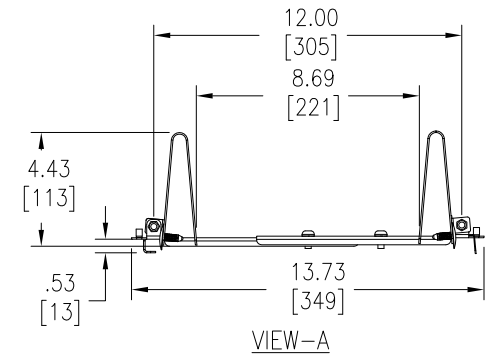
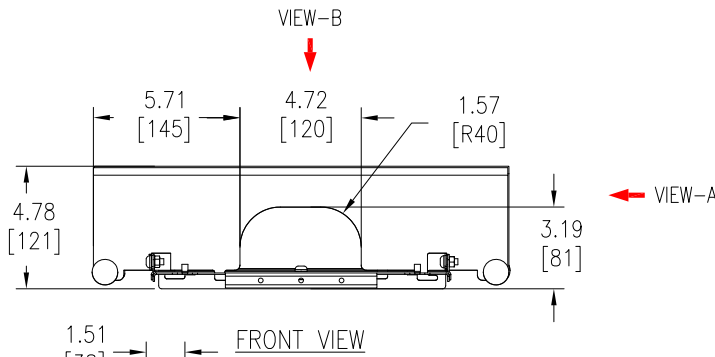
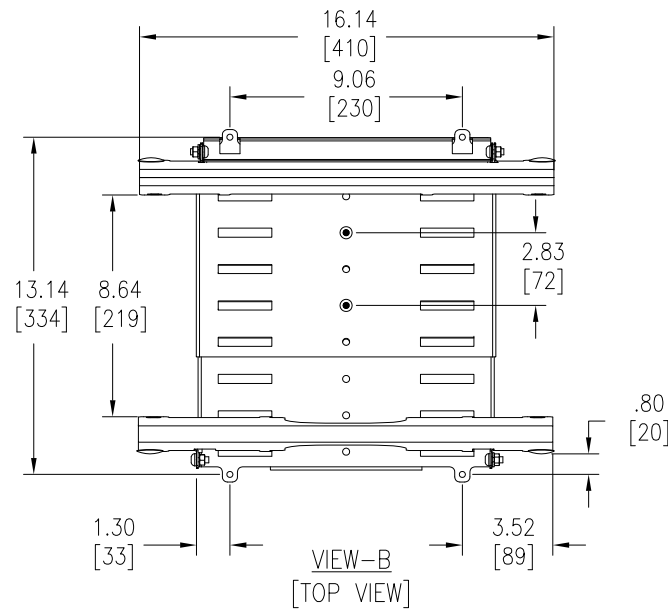
PARTITION PIECES MOUNTING POSITIONS

Allowable minimum and maximum mounting positions  
(For min. position use only one Plate)



**NOTES:**

1. INSTALLATION SHALL COMPLY WITH ALL APPLICABLE NATIONAL, STATE AND LOCAL CODES.
2. SEE PRODUCT DOCUMENTATION FOR FURTHER INFORMATION
3. UNLESS OTHERWISE SPECIFIED, ALL DIMENSIONS ARE IN INCHES[MILLIMETERS].
- △4. SKU SHOWN WITH TWO SLIDING PLATES. FOR MINIMUM POSITION USE ONLY ONE PLATE.
5. WEIGHT OF UNIT IS 8.0 LBS [3.64 KG].



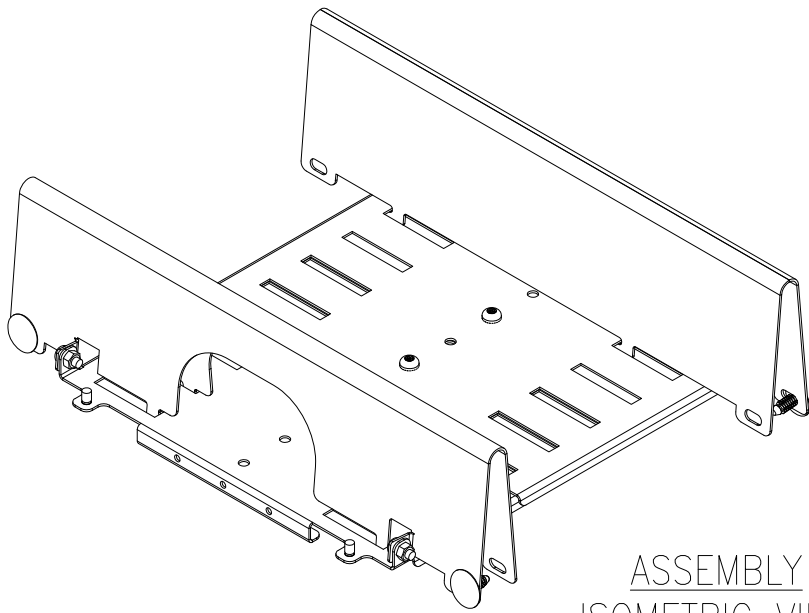
THIS DRAWING AND SPECIFICATIONS HEREIN ARE THE PROPERTY OF SCHNEIDER ELECTRIC AND SHALL NOT BE COPIED, REPRODUCED OR USED IN WHOLE OR IN PART, AS THE BASIS FOR THE MANUFACTURE OR SALE OF ITEMS WITHOUT WRITTEN PERMISSION FROM SCHNEIDER ELECTRIC. THIS DRAWING IS BASED UPON LATEST AVAILABLE INFORMATION AND IS SUBJECT TO CHANGE WITHOUT NOTICE.



TITLE: InfraStruXure  
INROW RC  
INROW BRIDGE PARTITION  
DATA CABLE 300mm  
MAIN MECHANICAL  
PROJECT: STD SUBMITTAL DRAWINGS SHEET 1 OF 2

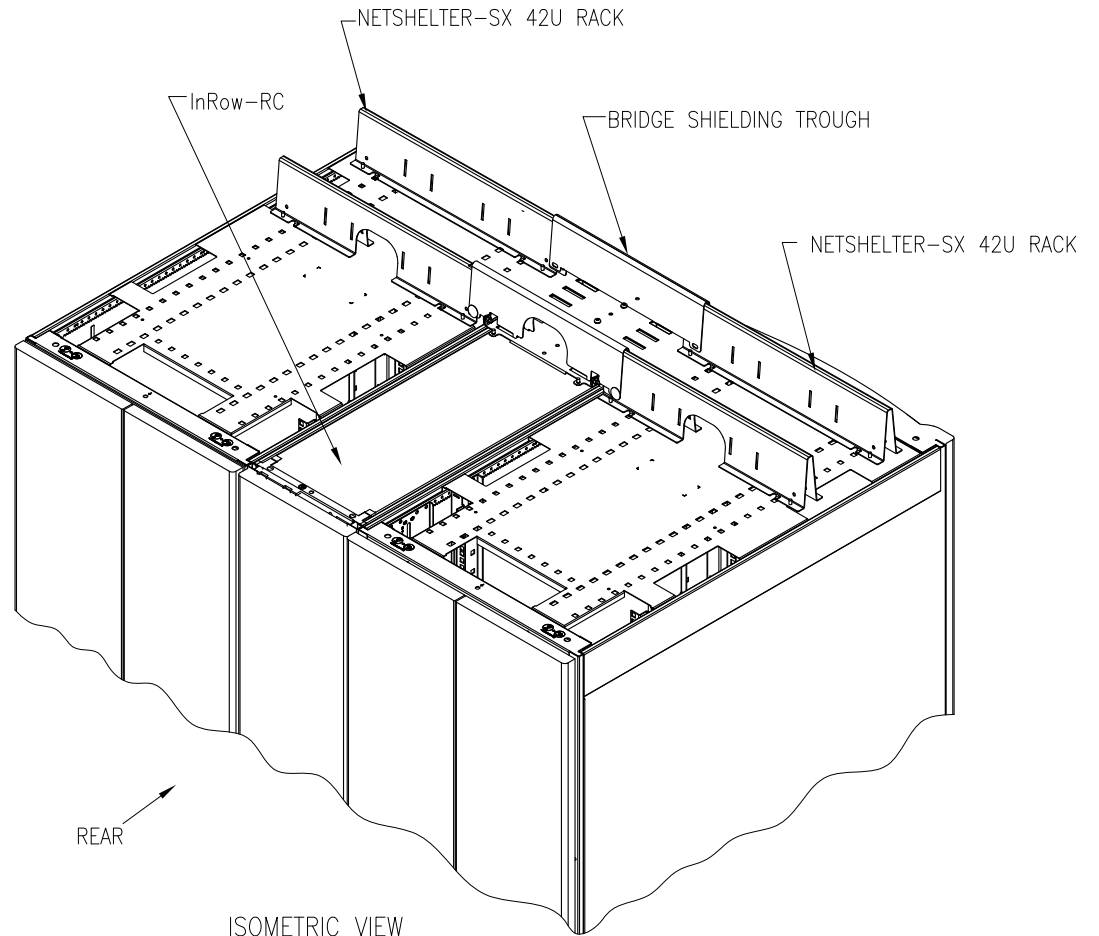
DWG NO: ACAC10005-MM1  
DRAWN BY: V BUSH 29-SEP-10  
ENGINEER: G IVEY/M BROWN 29-SEP-10  
APPROVED BY: D WOOD/C ZALING/R SHAF/5 WGH 29-SEP-10

REV. 1  
THIRD ANGLE PROJ

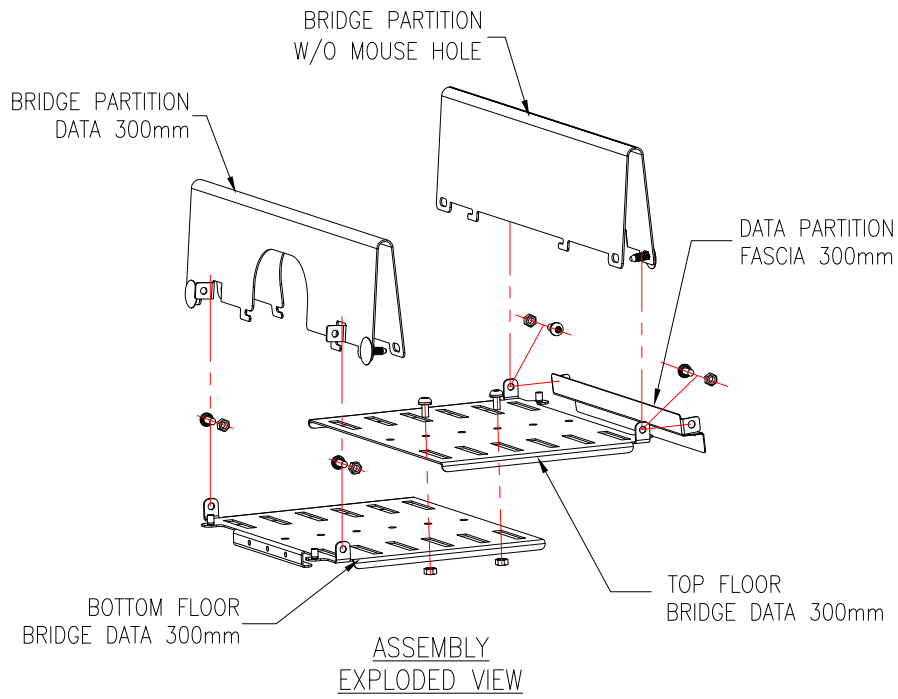


ASSEMBLY  
ISOMETRIC VIEW

TYPICAL APPLICATION OF BRIDGE SHIELDING TROUGH  
WITH SX RACKS AND RC UNIT



ISOMETRIC VIEW



ASSEMBLY  
EXPLODED VIEW

NOTES:

1. INSTALLATION SHALL COMPLY WITH ALL APPLICABLE NATIONAL, STATE AND LOCAL CODES.
2. SEE PRODUCT DOCUMENTATION FOR FURTHER INFORMATION

THIS DRAWING AND SPECIFICATIONS HEREIN ARE THE PROPERTY OF SCHNEIDER ELECTRIC AND SHALL NOT BE COPIED, REPRODUCED OR USED IN WHOLE OR IN PART, AS THE BASIS FOR THE MANUFACTURE OR SALE OF ITEMS WITHOUT WRITTEN PERMISSION FROM SCHNEIDER ELECTRIC. THIS DRAWING IS BASED UPON LATEST AVAILABLE INFORMATION AND IS SUBJECT TO CHANGE WITHOUT NOTICE.



TITLE: InfraStruXure  
INROW RC  
INROW BRIDGE PARTITION  
DATA CABLE 300mm  
TYPICAL INSTALLATION

PROJECT: STD SUBMITTAL DRAWINGS SHEET 2 OF 2

DWG NO: ACAC10005-MM2

DRAWN BY: V BUSH 29-SEP-10

ENGINEER: G IVEY/M BROWN 29-SEP-10

APPROVED BY: D WOOD/C ZALOWA/R SHAF/S WICH 29-SEP-10

REV. 1

THIRD

ANGLE

PROJ