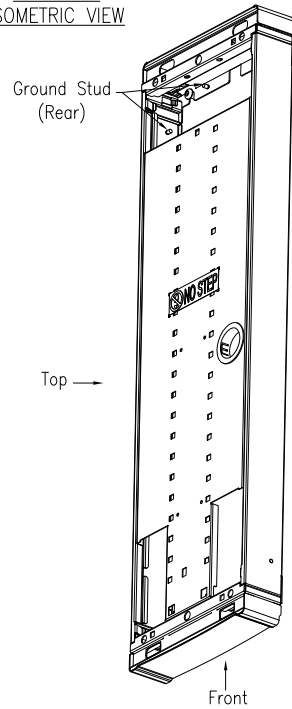
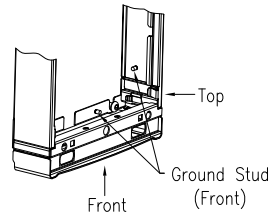


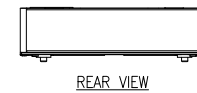
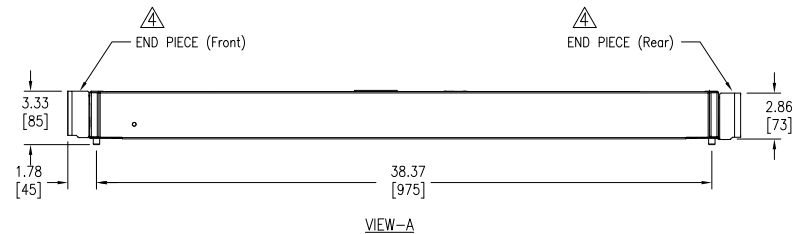
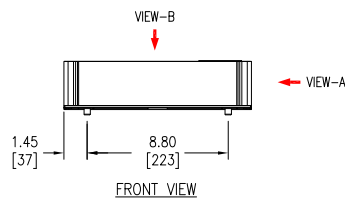
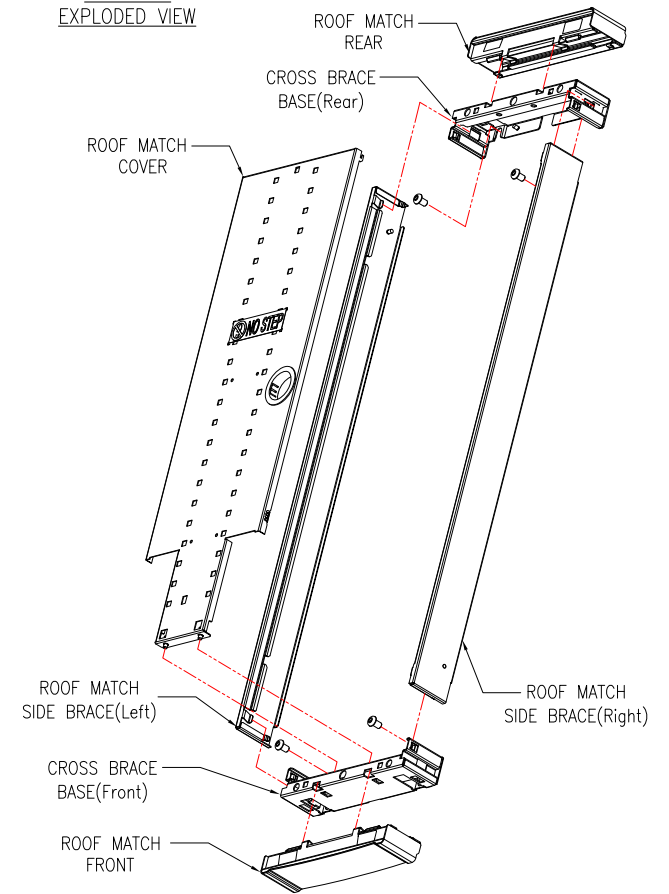
ASSEMBLY ISOMETRIC VIEW



GROUND STUD DETAILS ISOMETRIC VIEW (Roof Cover removed)



ASSEMBLY EXPLODED VIEW



NOTES:

1. INSTALLATION SHALL COMPLY WITH ALL APPLICABLE NATIONAL, STATE AND LOCAL CODES.
2. SEE PRODUCT DOCUMENTATION FOR FURTHER INFORMATION
3. UNLESS OTHERWISE SPECIFIED, ALL DIMENSIONS ARE IN INCHES[MILLIMETERS].
- △4. FRONT, REAR END PIECES AND SIDE BRACES ARE OF REMOVABLE TYPE.
5. WEIGHT OF UNIT IS 15.0LBS [6.82 KG].
- △6. OPENING IS ONLY COMPATIBLE WITH RC PIPING

THIS DRAWING AND SPECIFICATIONS HEREIN ARE THE PROPERTY OF SCHNEIDER ELECTRIC AND SHALL NOT BE COPIED, REPRODUCED OR USED IN WHOLE OR IN PART, AS THE BASIS FOR THE MANUFACTURE OR SALE OF ITEMS WITHOUT WRITTEN PERMISSION FROM SCHNEIDER ELECTRIC. THIS DRAWING IS BASED UPON LATEST AVAILABLE INFORMATION AND IS SUBJECT TO CHANGE WITHOUT NOTICE.

**Schneider Electric**

TITLE: InfraStruXure INROW RC INROW ROOF HEIGHT ADAPTER SX42U TO VX42U 300mm MAIN MECHANICAL

PROJECT: STD SUBMITTAL DRAWINGS SHEET 1 OF 2

DWG NO: ACAC10003-MM1

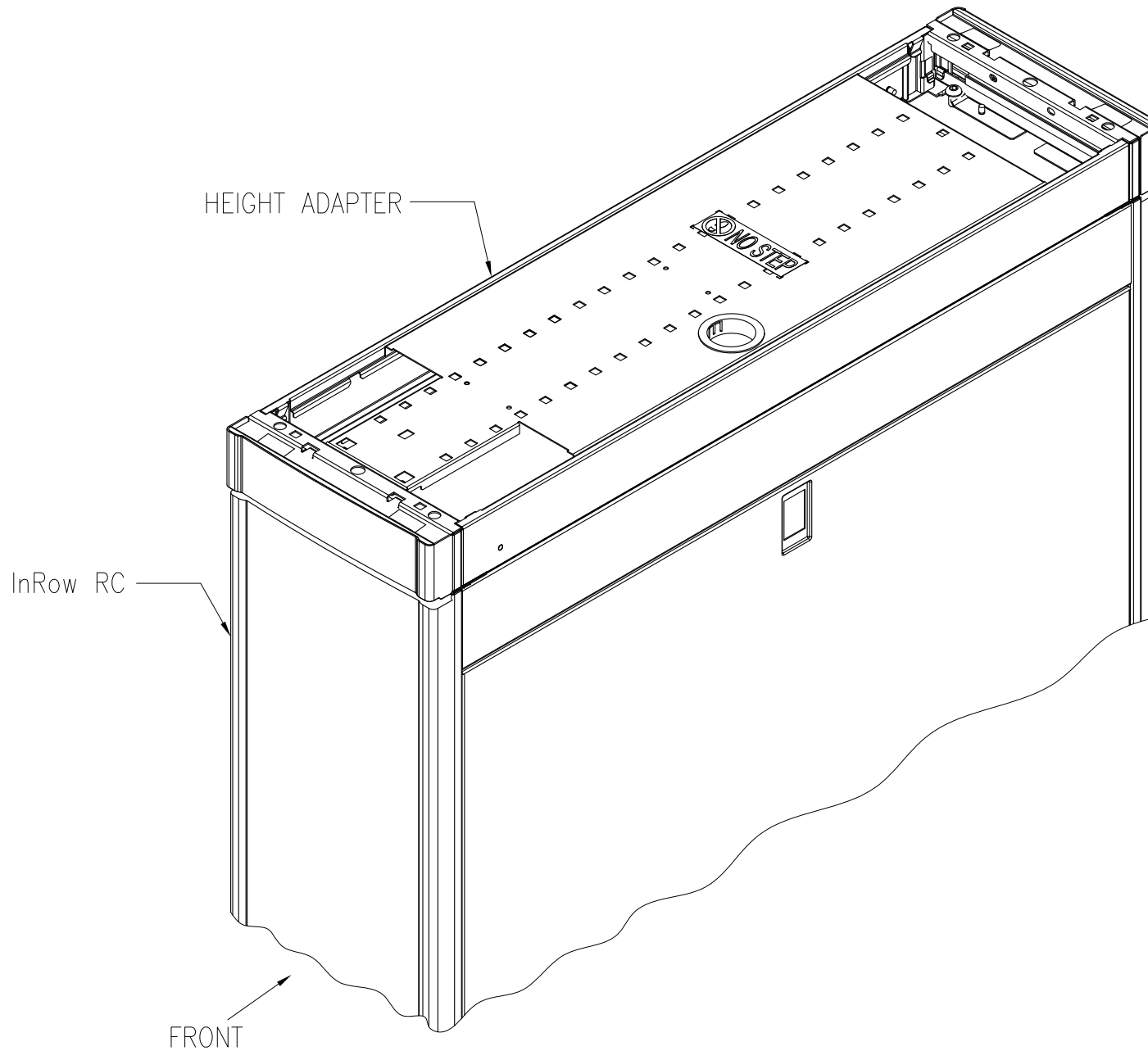
DRAWN BY: V BUSH 29-SEP-10

ENGINEER: G IVEY/M BROWN 29-SEP-10

APPROVED BY: P MOODY/C ZALDAR/R SHAF/S BACH 29-SEP-10

REV. 1  
THIRD ANGLE PROJ

# TYPICAL APPLICATION OF HEIGHT ADAPTER KIT RC UNIT TO NETSHELTER VX



**NOTES:**

1. INSTALLATION SHALL COMPLY WITH ALL APPLICABLE NATIONAL, STATE AND LOCAL CODES.
2. SEE PRODUCT DOCUMENTATION FOR FURTHER INFORMATION
3. UNLESS OTHERWISE SPECIFIED, ALL DIMENSIONS ARE IN INCHES[MILLIMETERS].

THIS DRAWING AND SPECIFICATIONS HEREIN ARE THE PROPERTY OF SCHNEIDER ELECTRIC AND SHALL NOT BE COPIED, REPRODUCED OR USED IN WHOLE OR IN PART, AS THE BASIS FOR THE MANUFACTURE OR SALE OF ITEMS WITHOUT WRITTEN PERMISSION FROM SCHNEIDER ELECTRIC. THIS DRAWING IS BASED UPON LATEST AVAILABLE INFORMATION AND IS SUBJECT TO CHANGE WITHOUT NOTICE.



TITLE: InfraStruXure  
INROW RC  
INROW ROOF HEIGHT ADAPTER  
SX42U TO VX42U 300mm  
TYPICAL INSTALLATION

PROJECT: STD SUBMITTAL DRAWINGS SHEET 2 OF 2

DWG NO: ACAC10003-MM2

DRAWN BY: V BUSH 29-SEP-10

ENGINEER: G IVEY/M BROWN 29-SEP-10

APPROVED BY: P MOODY/C ZALDAR/R SHAR/S BUCH 29-SEP-10

REV. 1

THIRD ANGLE PROJ