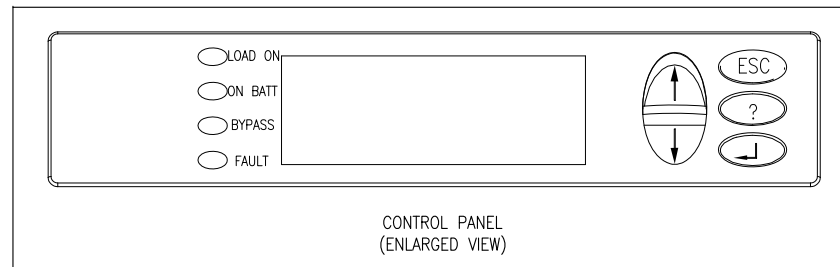


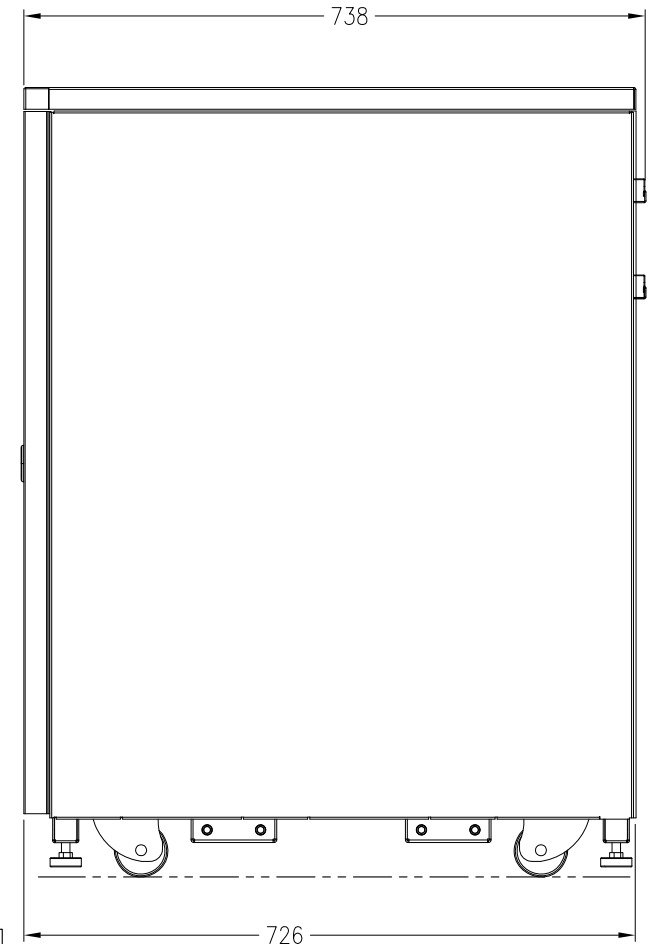
FRONT VIEW

CONTROL PANEL
(REFER TO
ENLARGED VIEW)

← B



CONTROL PANEL
(ENLARGED VIEW)



VIEW-B

NOTES:

1. INSTALLATION MUST COMPLY WITH NATIONAL, STATE AND LOCAL ELECTRICAL REGULATIONS.
2. PLEASE REFER TO PRODUCT DOCUMENTATION FOR FURTHER INFORMATION.
3. ALL DIMENSIONS ARE IN MILLIMETERS, UNLESS OTHERWISE SPECIFIED.
4. NET WEIGHT OF THE UNIT IS 220 kg.
5. CABLE ENTRY IS REAR SIDE OF THE UNIT.
6. AIR FLOW AND SERVICE REQUIREMENTS, AS WELL AS MINIMUM CLEARANCE TO FIRE SUPPRESSION SYSTEMS SHOULD BE CONSIDERED WHEN LOCATING THE UNIT.

THIS DRAWING AND SPECIFICATIONS HEREIN ARE THE PROPERTY OF SCHNEIDER ELECTRIC AND SHALL NOT BE COPIED, REPRODUCED OR USED IN WHOLE OR IN PART, AS THE BASIS FOR THE MANUFACTURE OR SALE OF ITEMS WITHOUT WRITTEN PERMISSION FROM SCHNEIDER ELECTRIC. THIS DRAWING IS BASED UPON LATEST AVAILABLE INFORMATION AND IS SUBJECT TO CHANGE WITHOUT NOTICE.



TITLE: SYMMETRA LX 8kVA TOWER
INPUT: 220/230/230VAC (1φ+N+G) 50/60Hz
OR 380/400/415VAC (3φ+N+G) 50/60Hz
OUTPUT: 220/230/240VAC 50/60Hz
MAIN MECHANICAL

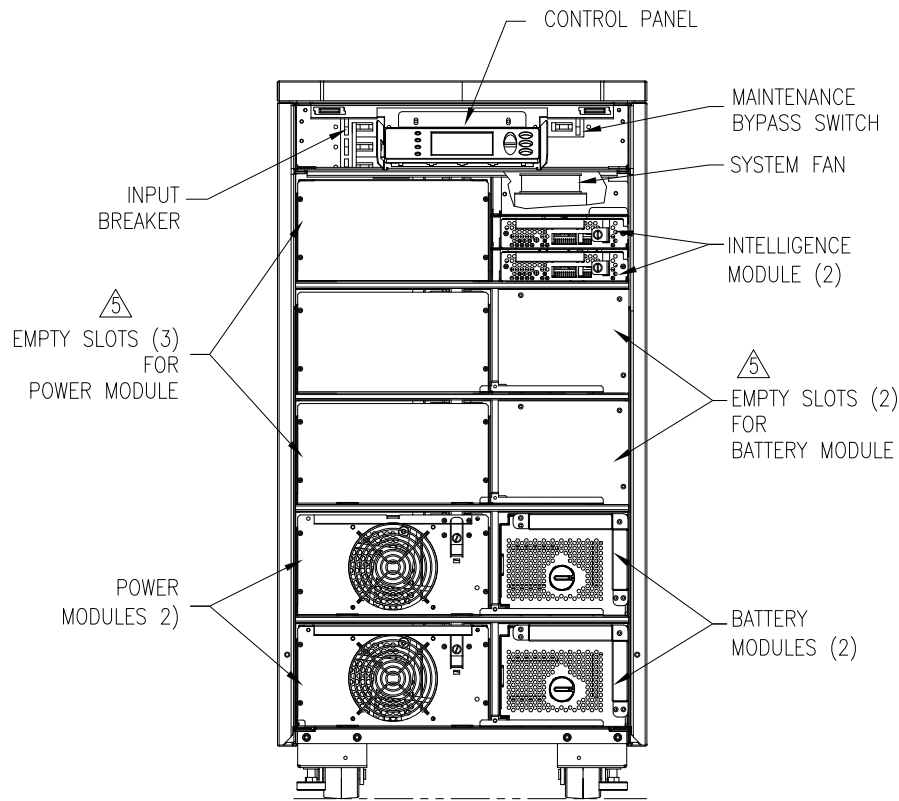
PROJECT: SUBMITTAL DRAWINGS SHEET 1 OF 3

DWG NO: SYA8K16I-MM1

DRAWN: K NAGENDRA	06-JAN-09
ENGINEER: K WHITE	06-JAN-09
APPROVED: N WHITING	06-JAN-09

REV. 2

PROJ. ANGLE N/A



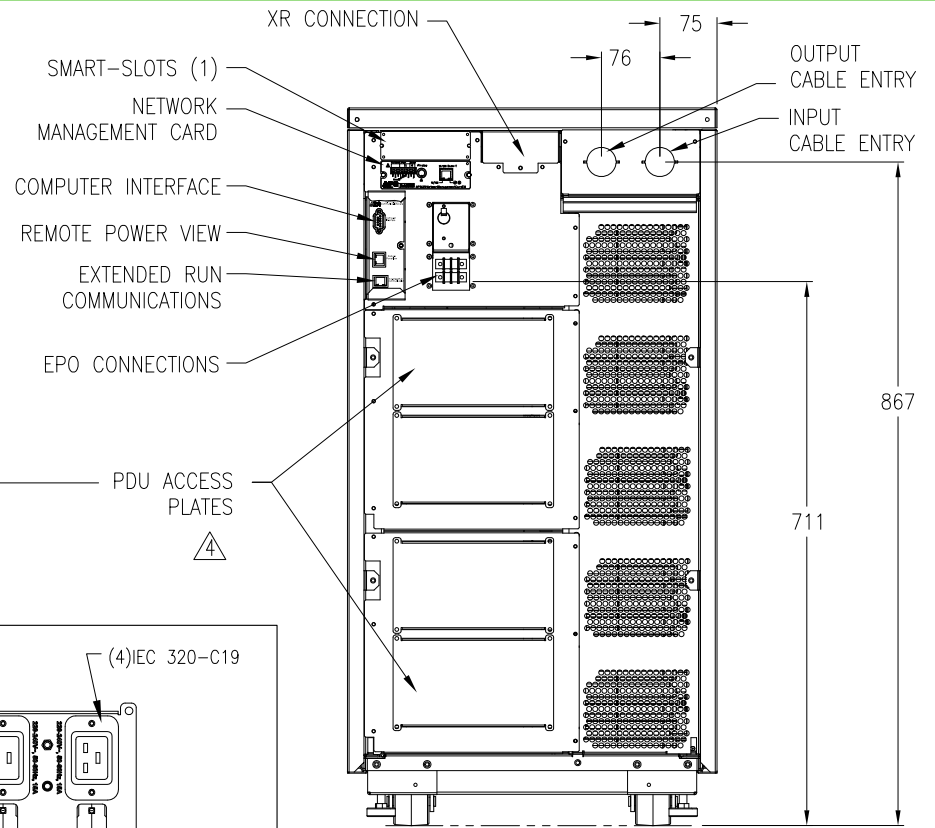
FRONT VIEW
(DOOR REMOVED)

TABLE-1

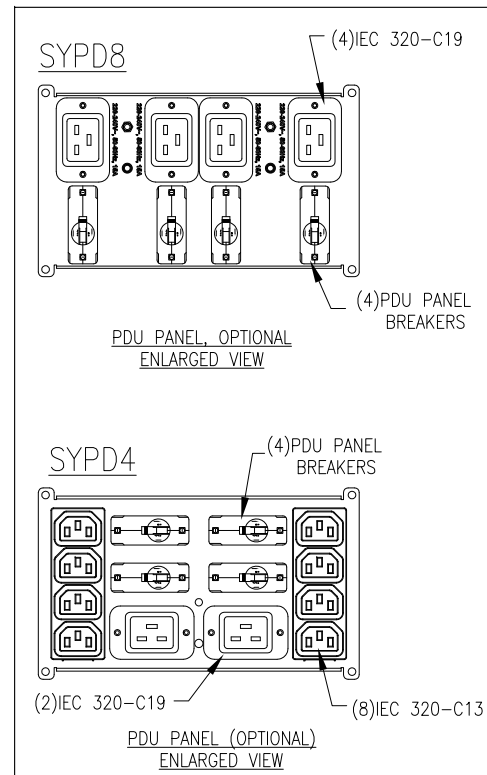
Rating	Number of additional Power Modules	Number of additional Battery Modules
8kVA N+1	ONE	-
12kVA	ONE	ONE
12kVA N+1	TWO	ONE
16kVA	TWO	TWO
16kVA N+1	THREE	TWO

NOTES:

1. INSTALLATION MUST COMPLY WITH NATIONAL, STATE AND LOCAL ELECTRICAL REGULATIONS.
2. PLEASE REFER TO PRODUCT DOCUMENTATION FOR FURTHER INFORMATION.
3. ALL DIMENSIONS ARE IN MILLIMETERS, UNLESS OTHERWISE SPECIFIED.
- △ 4. UP TO FOUR (4), OPTIONAL, SYMMETRA LX PDU PANELS CAN BE PURCHASED SEPARATELY AND INSTALLED TO PROVIDE FURTHER LOAD CONNECTIONS.
- △ 5. THE SYMMETRA LX, SKU NUMBER SYA8K16I, IS SHOWN IN A NON-REDUNDANT CONFIGURATION, HAVING TWO (2) POWER MODULES (SYPM4KI) AND TWO (2) BATTERY MODULES (SYBT5), PROVIDING UP TO 8kVA POWER. FURTHER POWER MODULES (SYPM4KI) AND BATTERY MODULES (SYBT5) CAN BE PURCHASED SEPARATELY AND INSTALLED IN THE SYSTEM, IN ACCORDANCE WITH TABLE-1, PROVIDING SCALABILITY AND/OR REDUNDANCY.



REAR VIEW

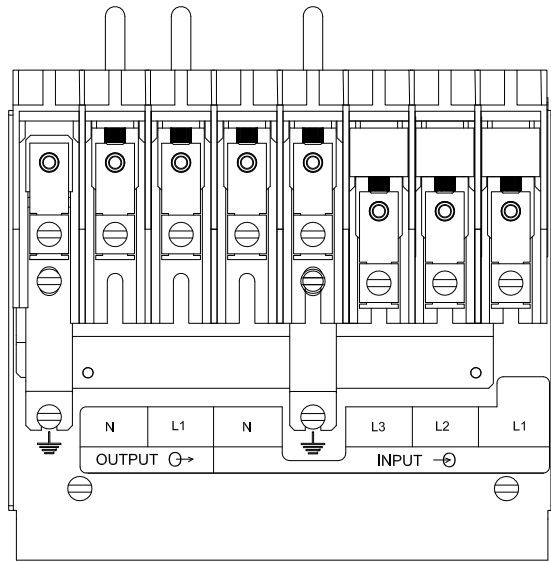


THIS DRAWING AND SPECIFICATIONS HEREIN ARE THE PROPERTY OF SCHNEIDER ELECTRIC AND SHALL NOT BE COPIED, REPRODUCED OR USED IN WHOLE OR IN PART, AS THE BASIS FOR THE MANUFACTURE OR SALE OF ITEMS WITHOUT WRITTEN PERMISSION FROM SCHNEIDER ELECTRIC. THIS DRAWING IS BASED UPON LATEST AVAILABLE INFORMATION AND IS SUBJECT TO CHANGE WITHOUT NOTICE.

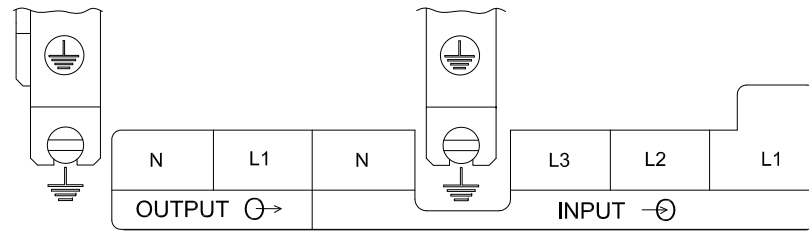


TITLE: SYMMETRA LX 8kVA TOWER
 INPUT: 220/230/230VAC (1Φ+N+G) 50/60Hz
 OR 380/400/415VAC (3Φ+N+G) 50/60Hz
 OUTPUT: 220/230/240VAC 50/60Hz
 INTERNAL VIEWS

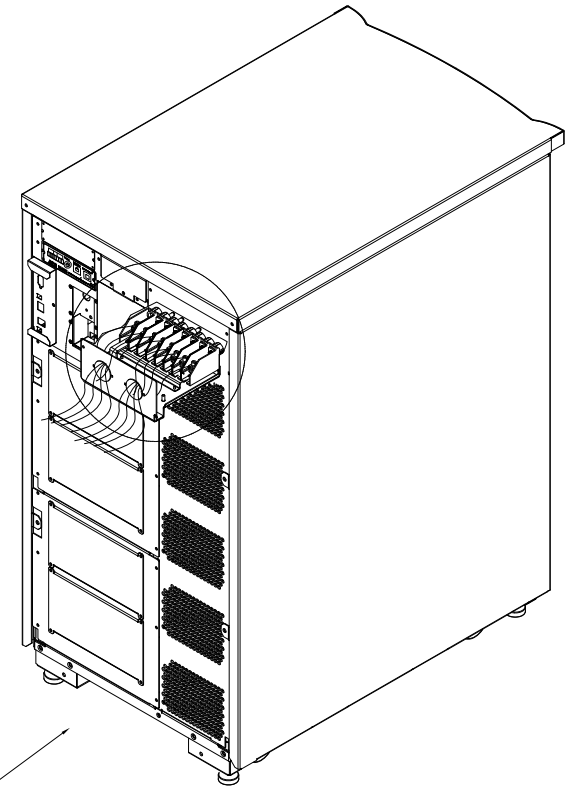
DWG NO: SYA8K16I-MM2 REV. 2
 DRAWN: K NAGENDRA 06-JAN-09
 ENGINEER: K WHITE 06-JAN-09
 APPROVED: N WHITING 06-JAN-09
 PROJECT: SUBMITTAL DRAWINGS SHEET 2 OF 3
 PROJ. ANGLE N/A



TOP VIEW (ENLARGED)
INPUT/OUTPUT CONNECTIONS

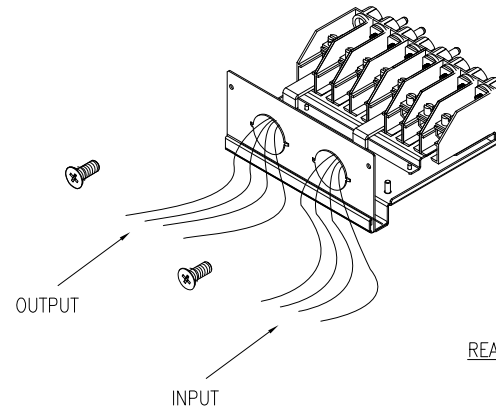


INPUT/OUTPUT CONNECTIONS



REAR VIEW

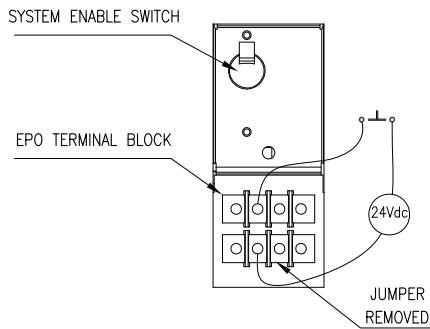
TOP VIEW
INPUT/OUTPUT CONNECTIONS
(REFER ENLARGED VIEW)



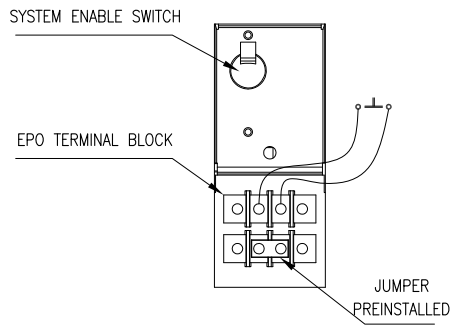
OUTPUT

INPUT

IF REQUIRED: Connect the Remote Emergency Power Off (REPO) circuit on the UPS



IF INSTALLATION USES
A SWITCH CONTACT
AND A 24Vdc POWER SUPPLY
EXTERNAL TO THE UPS



IF INSTALLATION USES
SINGLE EXTERNAL
SWITCH CONTACT.

NOTES:

1. INSTALLATION MUST COMPLY WITH NATIONAL, STATE AND LOCAL ELECTRICAL REGULATIONS.
2. PLEASE REFER TO PRODUCT DOCUMENTATION FOR FURTHER INFORMATION.

THIS DRAWING AND SPECIFICATIONS HEREIN ARE THE PROPERTY OF SCHNEIDER ELECTRIC AND SHALL NOT BE COPIED, REPRODUCED OR USED IN WHOLE OR IN PART, AS THE BASIS FOR THE MANUFACTURE OR SALE OF ITEMS WITHOUT WRITTEN PERMISSION FROM SCHNEIDER ELECTRIC. THIS DRAWING IS BASED UPON LATEST AVAILABLE INFORMATION AND IS SUBJECT TO CHANGE WITHOUT NOTICE.



TITLE: SYMMETRA LX 8kVA TOWER
INPUT: 220/230/230VAC (1φ+N+G) 50/60Hz
OR 380/400/415VAC (3φ+N+G) 50/60Hz
OUTPUT: 220/230/240VAC 50/60Hz
INPUT/OUTPUT & EPO CONNECTIONS

DWG NO: SYA8K16I-ME

REV. 2

PROJECT: SUBMITTAL DRAWINGS SHEET 3 OF 3

DRAWN: K NAGENDRA 06-JAN-09
ENGINEER: K WHITE 06-JAN-09
APPROVED: N WHITING 06-JAN-09

PROJ. ANGLE N/A