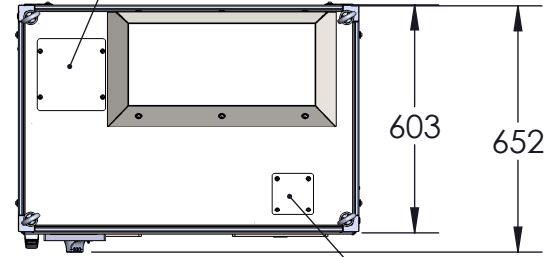
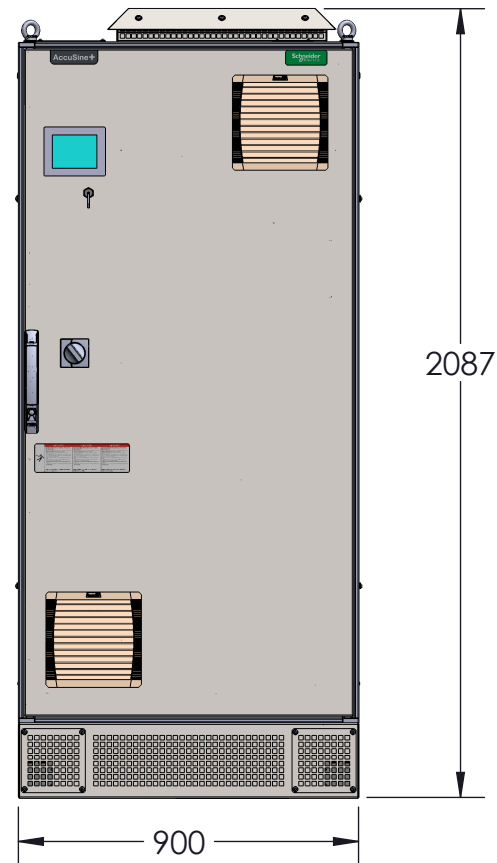


TOP POWER ENTRY 150x175mm OPENING

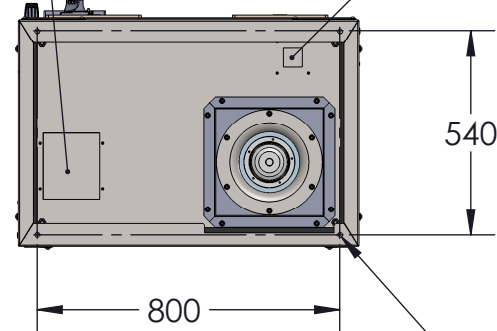


TOP ENTRY COMMUNICATIONS & CT's 50x50mm OPENING



NHA5990700 LARGE ENCLOSURE 480V IP54/N12		
PCSP200D5N12	AccuSine PCS+ 200A, 380-480 VAC N12	HRB49227
EVCP200D5N12	AccuSine PFV+ 200A, 380-480 VAC N12	HRB49228
PCSP200D5IP54	AccuSine PCS+ 200A, 380-480 VAC IP54	HRB49229
EVCP200D5IP54	AccuSine PFV+ 200A, 380-480 VAC IP54	HRB49230
PCSP300D5N12	AccuSine PCS+ 300A, 380-480 VAC N12	HRB18250
EVCP300D5N12	AccuSine PFV+ 300A, 380-480 VAC N12	HRB18253
PCSP300D5IP54	AccuSine PCS+ 300A, 380-480 VAC IP54	HRB18254
EVCP300D5IP54	AccuSine PFV+ 300A, 380-480 VAC IP54	HRB18255

BOTTOM POWER ENTRY 150x175mm OPENING



BOTTOM ENTRY COMMUNICATIONS & CT's 50x50mm OPENING

Ø 13 FLOOR ANCHOR HOLES

	Scale: N/A	Tolerancing Standard: ISO8015	Units of Measure: mm
	LARGE ENCLOSURE 380-480V IP54/N12		
	LARGE ENCLOSURE 380-480V IP54/N12		
Number: NHA5990700		Revision: 00	Sheet: 1 OF 1

All information and data contained in this document are the exclusive property of Schneider Electric Industries SAS and may neither be used nor disclosed without its prior written consent.

State:

Released for Manufacturing
Printed on 2015/07/09