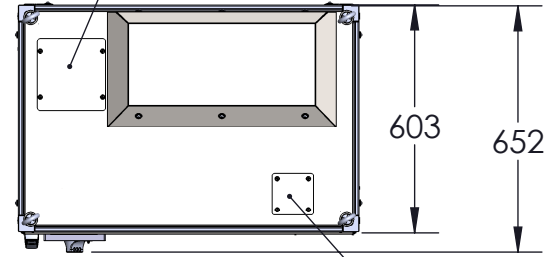
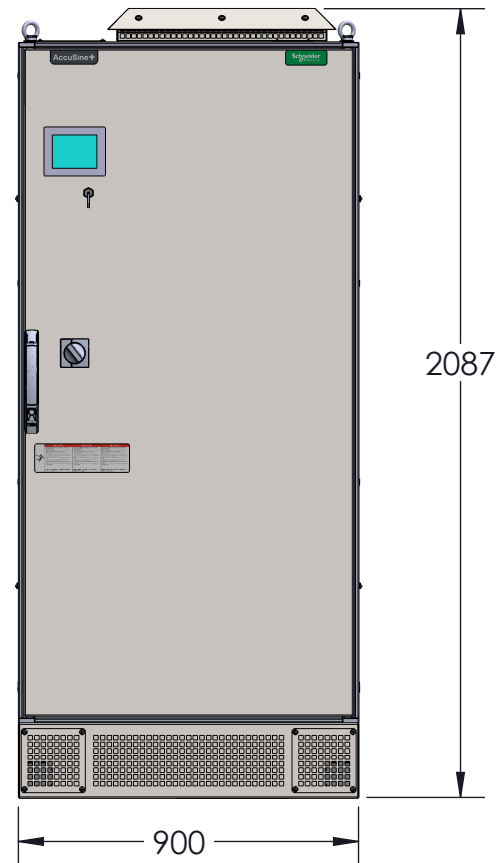


TOP POWER ENTRY 150x175mm OPENING

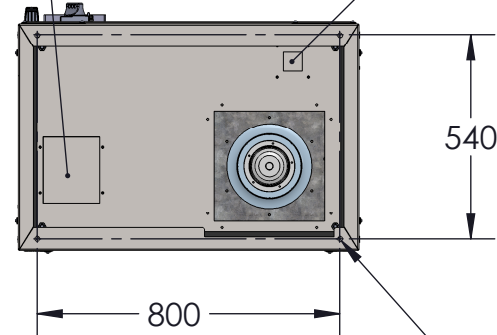


TOP ENTRY COMMUNICATIONS & CT's 50x50mm OPENING



NHA5990600 LARGE ENCLOSURE 480V IP31/N2		
PCSP200D5N2	AccuSine PCS+ 200A, 380-480 VAC N2	HRB49223
EVCP200D5N2	AccuSine PFV+ 200A, 380-480 VAC N2	HRB49224
PCSP200D5IP31	AccuSine PCS+ 200A, 380-480 VAC IP31	HRB49225
EVCP200D5IP31	AccuSine PFV+ 200A, 380-480 VAC IP31	HRB49226
PCSP300D5N2	AccuSine PCS+ 300A, 380-480 VAC N2	HRB18251
EVCP300D5N2	AccuSine PFV+ 300A, 380-480 VAC N2	HRB18252
PCSP300D5IP31	AccuSine PCS+ 300A, 380-480 VAC IP31	HRB18248
EVCP300D5IP31	AccuSine PFV+ 300A, 380-480 VAC IP31	HRB18249

BOTTOM POWER ENTRY 150x175mm OPENING



BOTTOM ENTRY COMMUNICATIONS & CT's 50x50mm OPENING

Ø 13 FLOOR ANCHOR HOLES

	Scale: N/A	Tolerancing Standard: ISO8015	Units of Measure: mm
	<b>LARGE ENCLOSURE 380-480V IP31-N2</b>		
	LARGE ENCLOSURE 380-480V IP31-N2		
Number: NHA5990600		Revision: 00	Sheet: 1 OF 1

All information and data contained in this document are the exclusive property of Schneider Electric Industries SAS and may neither be used nor disclosed without its prior written consent. State: Released for Manufacturing Printed on 2015/07/09