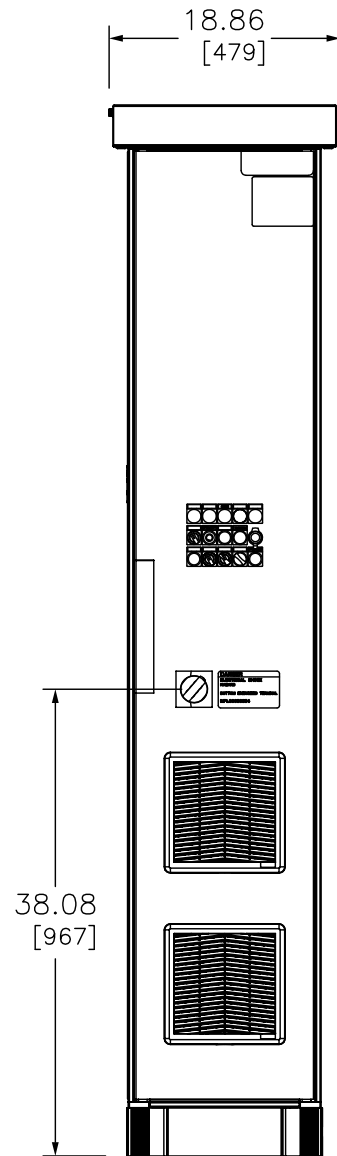
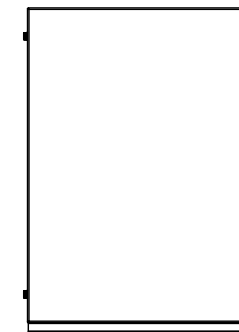


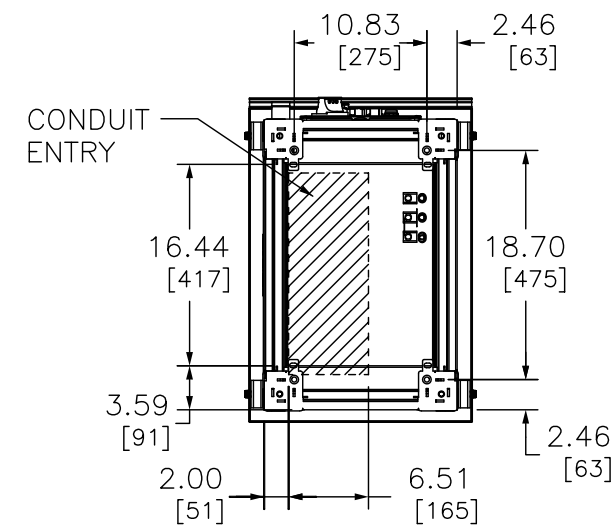
LEFT VIEW



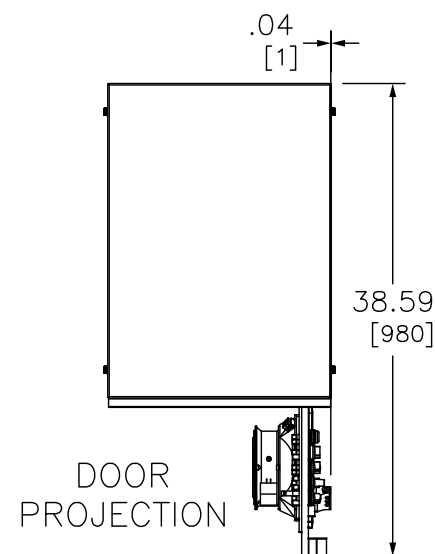
FRONT VIEW



TOP VIEW



BOTTOM VIEW  
MOUNTING  
LOCATIONS



DOOR  
PROJECTION

75HP [55KW] – 125HP [90KW] AT 460V NORMAL DUTY\*  
60HP [45KW] – 100HP [75KW] AT 460V HEAVY DUTY\*

40HP [30KW] – 60HP [45KW] AT 230V NORMAL DUTY\*  
30HP [22KW] – 50HP [37KW] AT 230V HEAVY DUTY\*

\*STANDARD DRIVE PACKAGE

DUAL DIMENSIONS: INCHES  
MILLIMETERS

ALTIVAR PROCESS  
660 DRIVE SYSTEM – OUTLINE

**SQUARE D**<sup>™</sup>  
by Schneider Electric

DWG# NHA3294502  
NO.