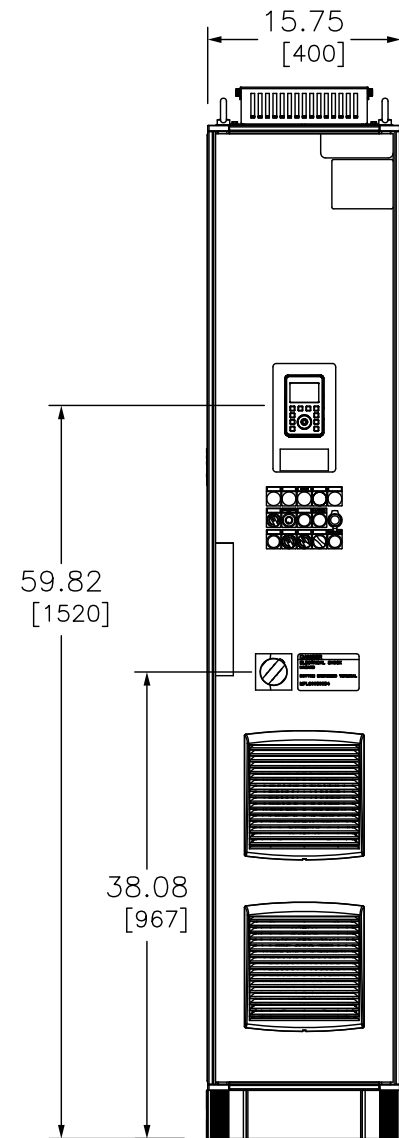
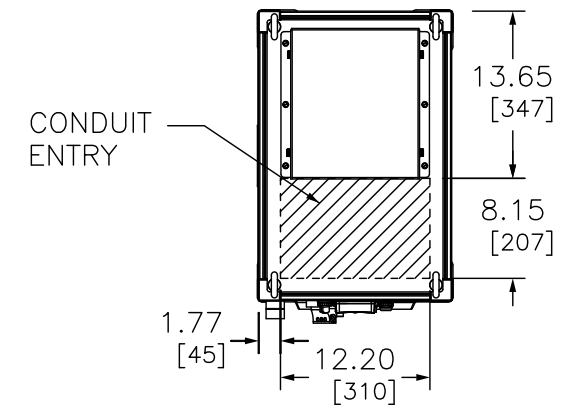


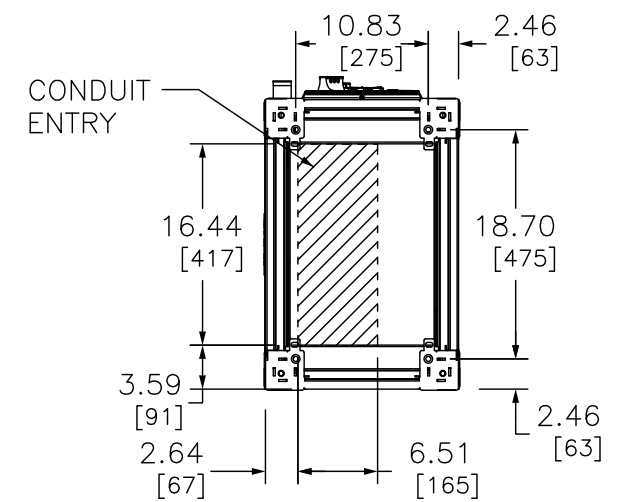
LEFT VIEW



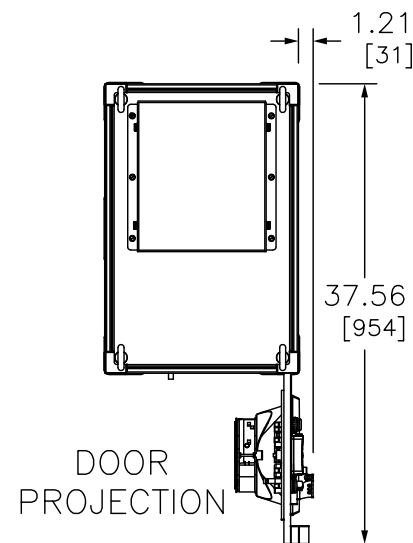
FRONT VIEW



TOP VIEW



BOTTOM VIEW
MOUNTING
LOCATIONS



DOOR
PROJECTION

TYPE 1 CONFIGURATION

75HP [55KW] – 125HP [90KW] AT 460V NORMAL DUTY*
60HP [45KW] – 100HP [75KW] AT 460V HEAVY DUTY*

40HP [30KW] – 60HP [45KW] AT 230V NORMAL DUTY*
30HP [22KW] – 50HP [37KW] AT 230V HEAVY DUTY*

*STANDARD DRIVE PACKAGE

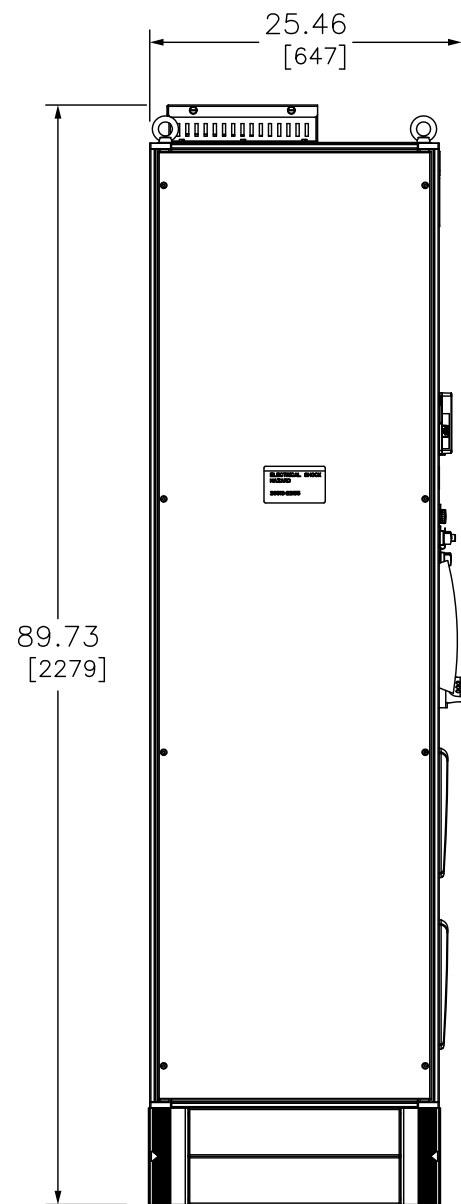
DUAL DIMENSIONS: INCHES
MILLIMETERS

ALTIVAR PROCESS
660 DRIVE SYSTEM – OUTLINE

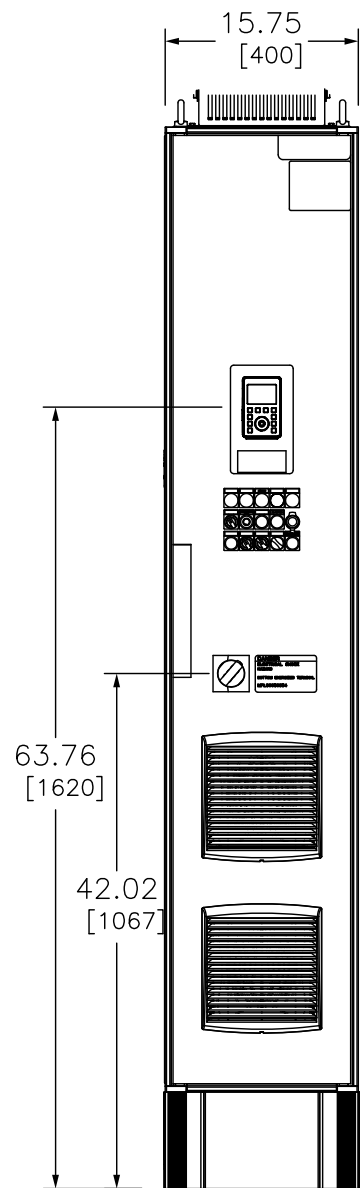


DWG# NHA3294402

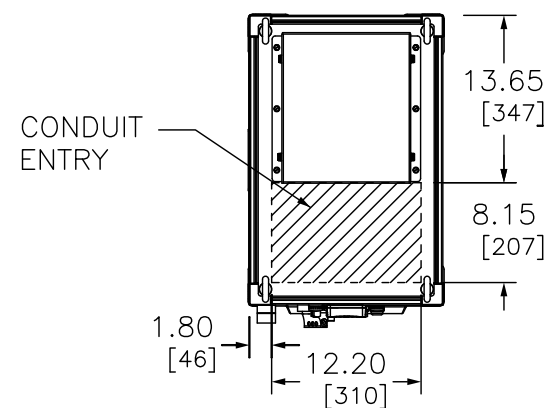
PG 1



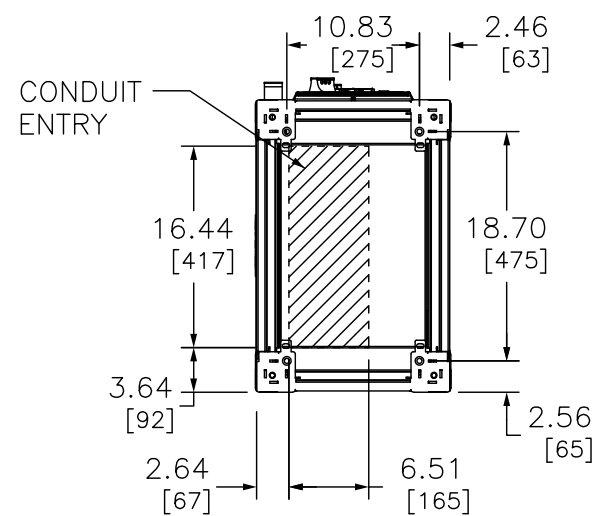
LEFT VIEW



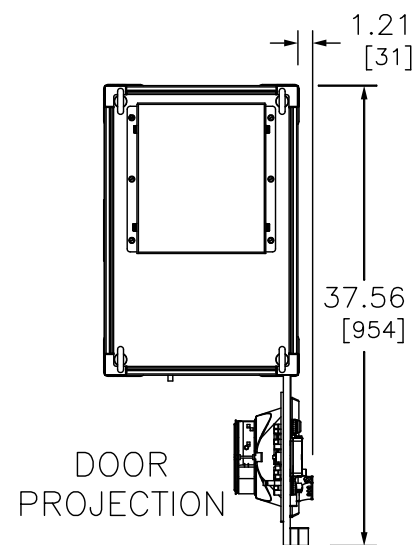
FRONT VIEW



TOP VIEW



BOTTOM VIEW
MOUNTING
LOCATIONS



DOOR
PROJECTION

TYPE 12 CONFIGURATION

75HP [55KW] – 125HP [90KW] AT 460V NORMAL DUTY*
60HP [45KW] – 100HP [75KW] AT 460V HEAVY DUTY*

40HP [30KW] – 60HP [45KW] AT 230V NORMAL DUTY*
30HP [22KW] – 50HP [37KW] AT 230V HEAVY DUTY*

*STANDARD DRIVE PACKAGE

DUAL DIMENSIONS: INCHES
MILLIMETERS

ALTIVAR PROCESS
660 DRIVE SYSTEM – OUTLINE



DWG# NHA3294402

PG 2