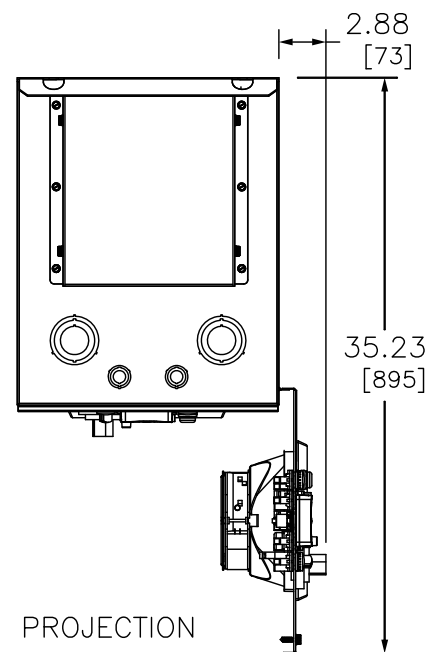
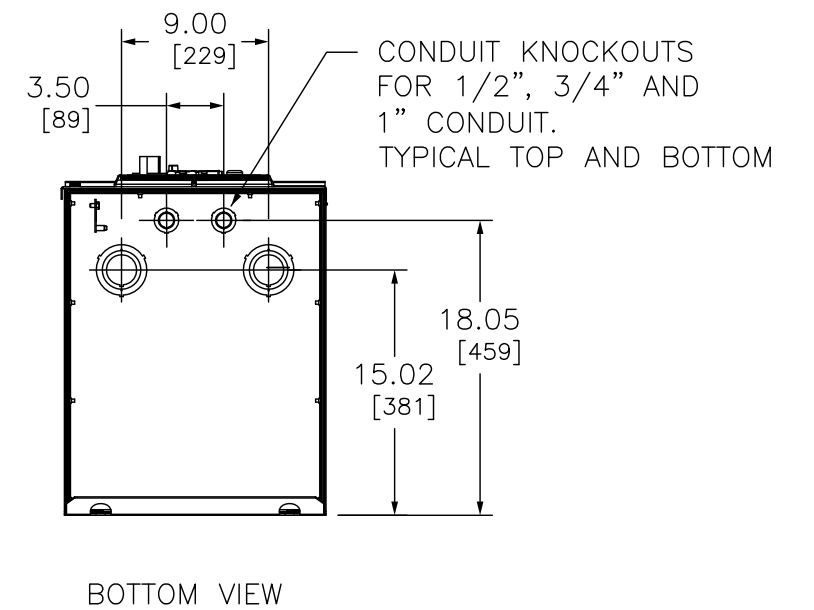
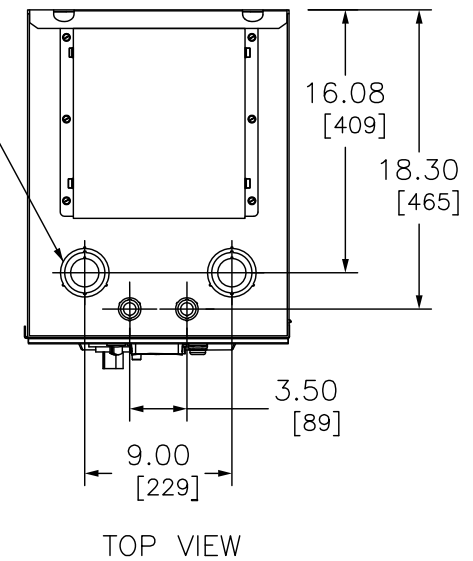


CONDUIT KNOCKOUTS FOR 1-1/4", 2" AND 2-1/2" CONDUIT. TYPICAL TOP AND BOTTOM



40HP [30KW] – 60HP [45KW] AT 460V NORMAL DUTY\*  
 30HP [22KW] – 50HP [37KW] AT 460V HEAVY DUTY\*  
 20HP [15KW] – 30HP [22KW] AT 230V NORMAL DUTY\*  
 15HP [11KW] – 25HP [19KW] AT 230V HEAVY DUTY\*

\*STANDARD DRIVE PACKAGE

DUAL DIMENSIONS: INCHES  
MILLIMETERS

ALTIVAR PROCESS  
660 DRIVE SYSTEM – OUTLINE



DWG# NHA3294202  
NO.