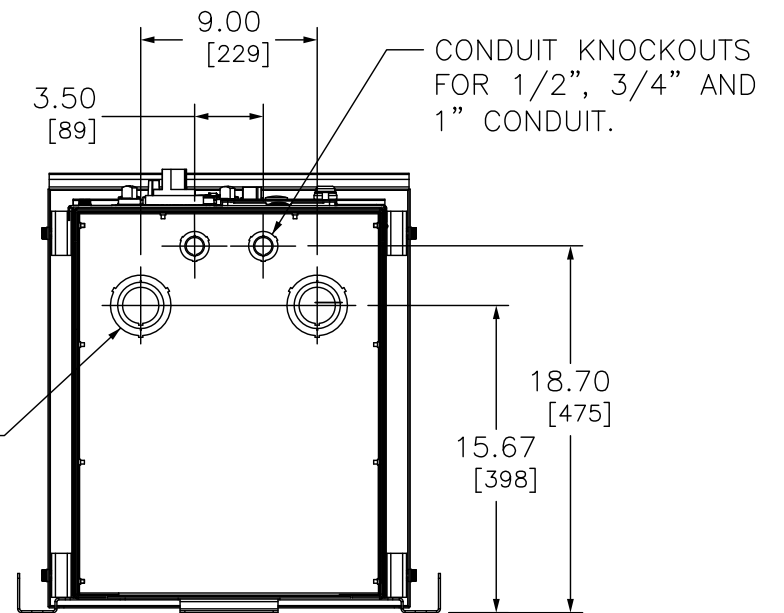


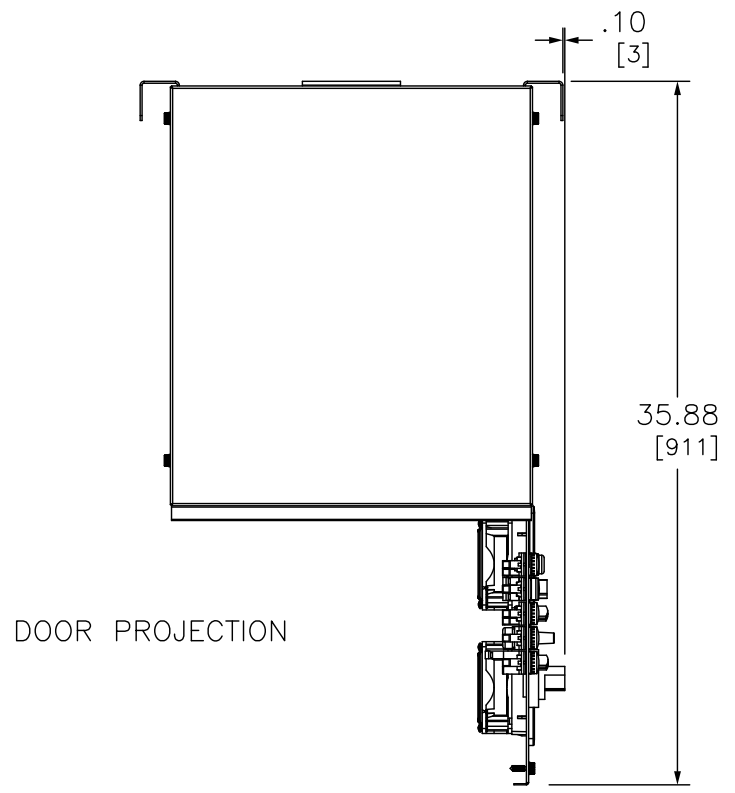
TOP VIEW

LEFT VIEW

FRONT VIEW



BOTTOM VIEW



DOOR PROJECTION

20HP [15KW] – 30HP [22KW] AT 460V NORMAL DUTY*
 15HP [11KW] – 25HP [19KW] AT 460V HEAVY DUTY*
 10HP [7.5KW] – 15HP [11KW] AT 230V NORMAL DUTY*
 7.5HP [5.5KW] – 10HP [7.5KW] AT 230V HEAVY DUTY*

*STANDARD DRIVE PACKAGE

DUAL DIMENSIONS: INCHES
 MILLIMETERS

ALTIVAR PROCESS
 660 DRIVE SYSTEM – OUTLINE



DWG# NHA3294102
 NO.