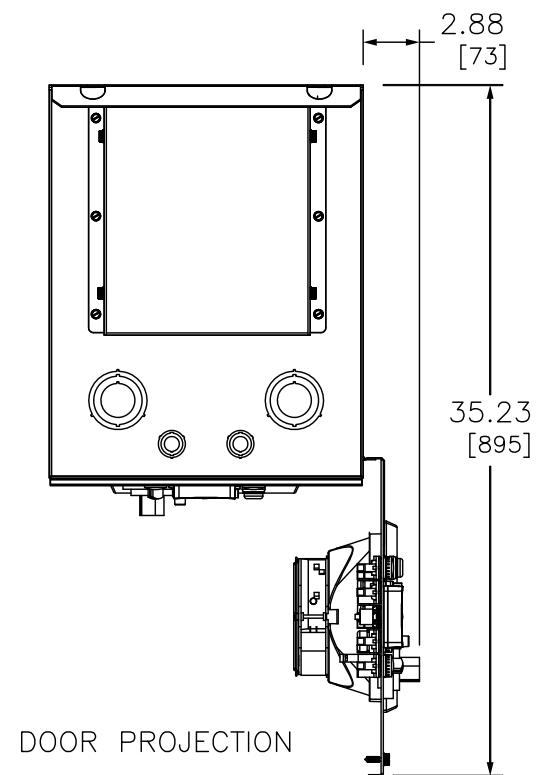
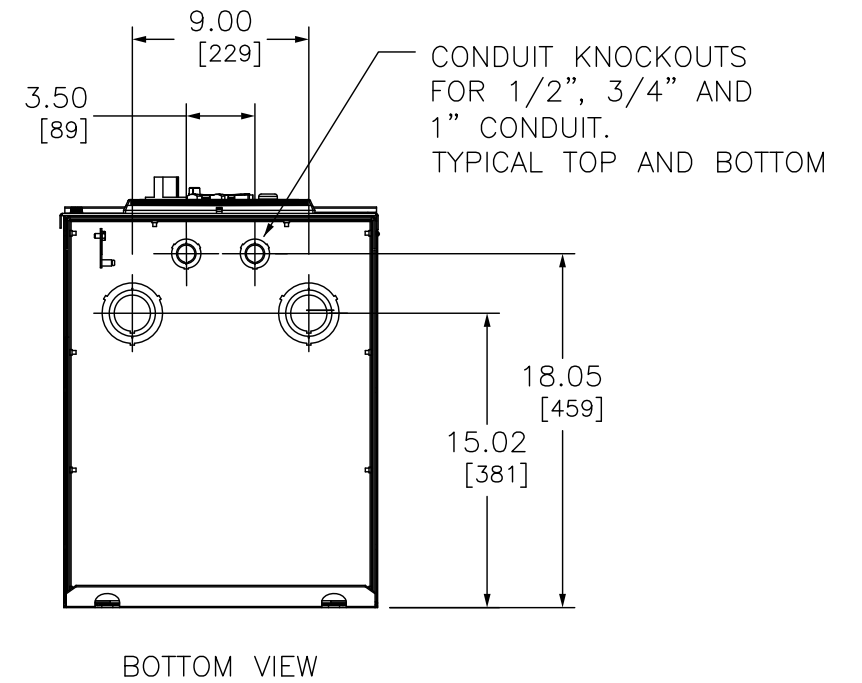
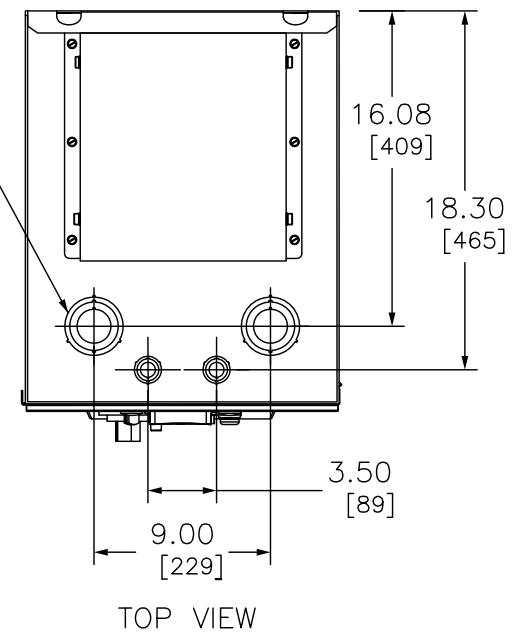


CONDUIT KNOCKOUTS  
FOR 1-1/4", 2" AND  
2-1/2" CONDUIT.  
TYPICAL TOP AND BOTTOM



20HP [15KW] – 30HP [22KW] AT 460V NORMAL DUTY\*  
15HP [11KW] – 25HP [19KW] AT 460V HEAVY DUTY\*

10HP [7.5KW] – 15HP [11KW] AT 230V NORMAL DUTY\*  
7.5HP [5.5KW] – 10HP [7.5KW] AT 230V HEAVY DUTY\*

\*STANDARD DRIVE PACKAGE

DUAL DIMENSIONS: INCHES  
MILLIMETERS

ALTIVAR PROCESS  
660 DRIVE SYSTEM – OUTLINE

**SQUARE D**<sup>™</sup>  
by Schneider Electric

DWG# NHA3294002  
NO.