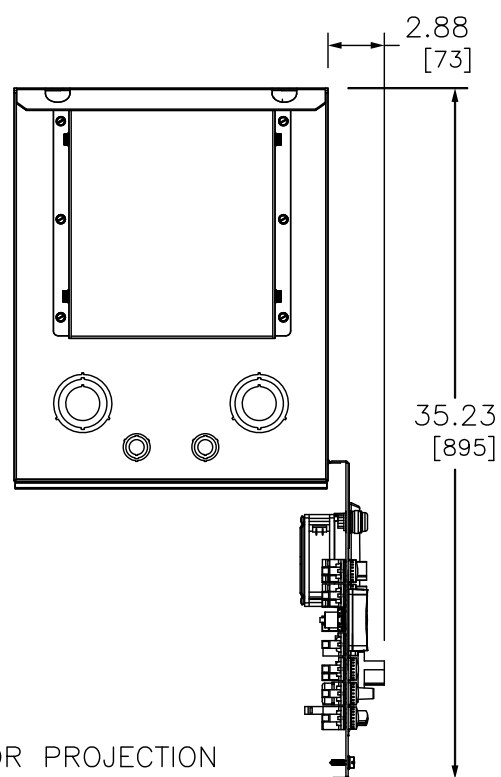
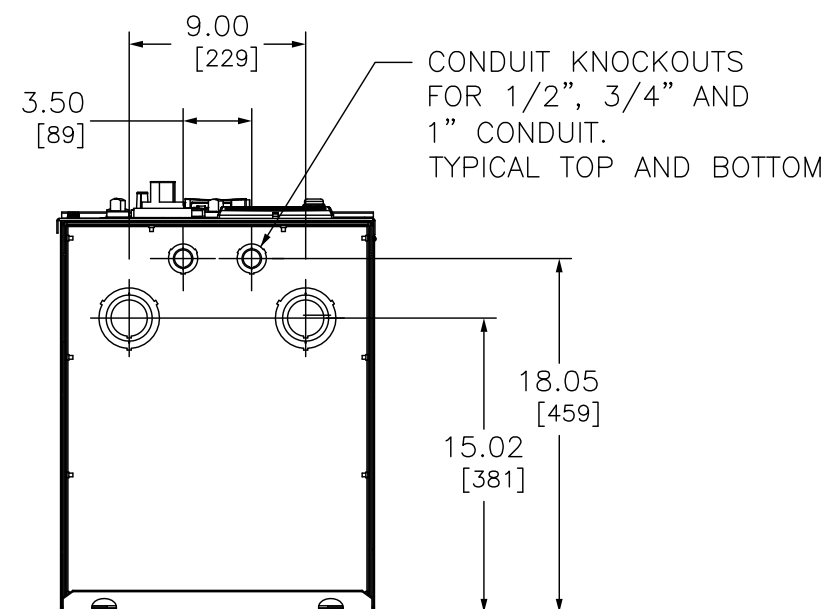
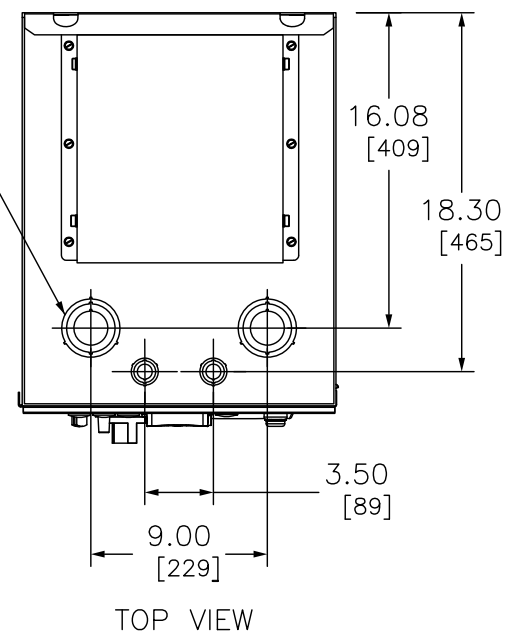


CONDUIT KNOCKOUTS  
FOR 1-1/4", 2" AND  
2-1/2" CONDUIT.  
TYPICAL TOP AND BOTTOM



1HP [.75KW] – 15HP [11KW] AT 460V NORMAL DUTY\*  
 .5HP [.37KW] – 10HP [7.5KW] AT 460V HEAVY DUTY\*  
 1HP [.75KW] – 7.5HP [5.5KW] AT 230V NORMAL DUTY\*  
 .5HP [.4KW] – 5HP [4KW] AT 230V HEAVY DUTY\*

\*STANDARD DRIVE PACKAGE

DUAL DIMENSIONS: INCHES  
MILLIMETERS

ALTIVAR PROCESS  
660 DRIVE SYSTEM – OUTLINE

**SQUARE D**<sup>™</sup>  
by Schneider Electric

DWG# NHA3062102  
NO.