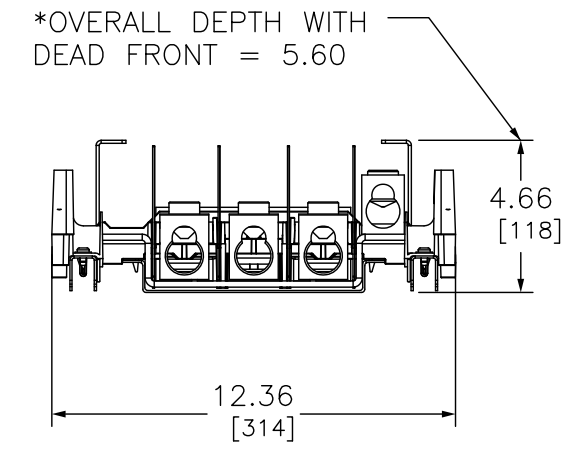
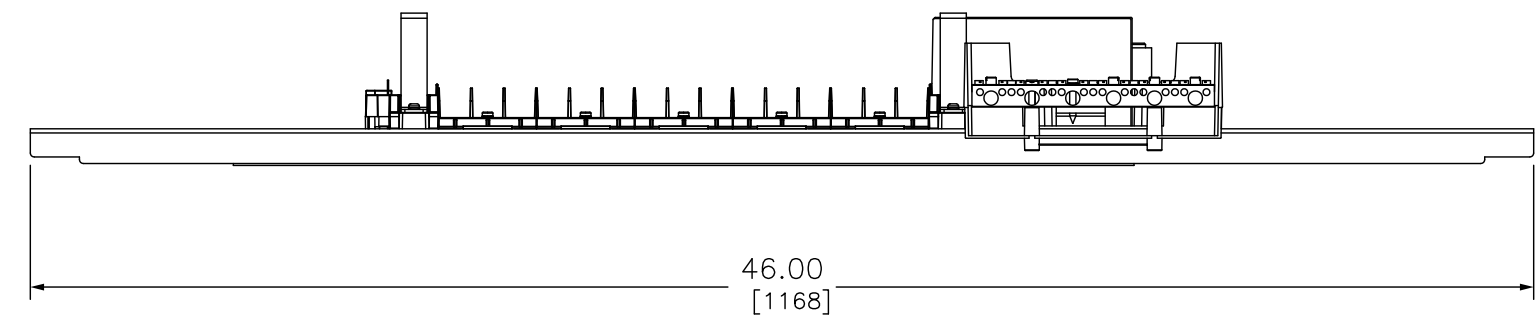
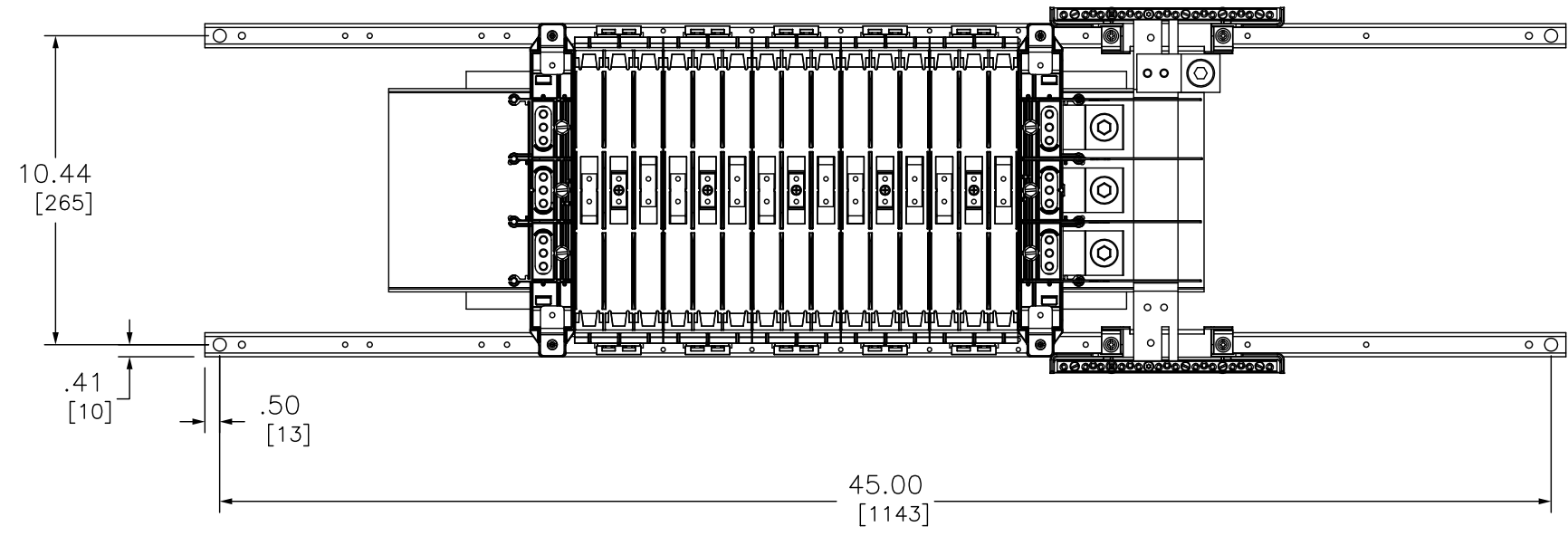


CATALOG	PHASE/WIRE	BUS THICKNESS	BUS MATERIAL	LUG SIZE
NF430L4C	3P 4W	.31/[8]	CU	#1 - 750 KCMIL #1 - 350 KCMIL
NF430L4	3P 4W	.31/[8]	AL	#1 - 750 KCMIL #1 - 350 KCMIL



DUAL DIMENSIONS: INCHES
MILLIMETERS

NF430L4
PNLBD INT NF 400A MLO 30CKT 3PH



DWG# NF430L4
NO.