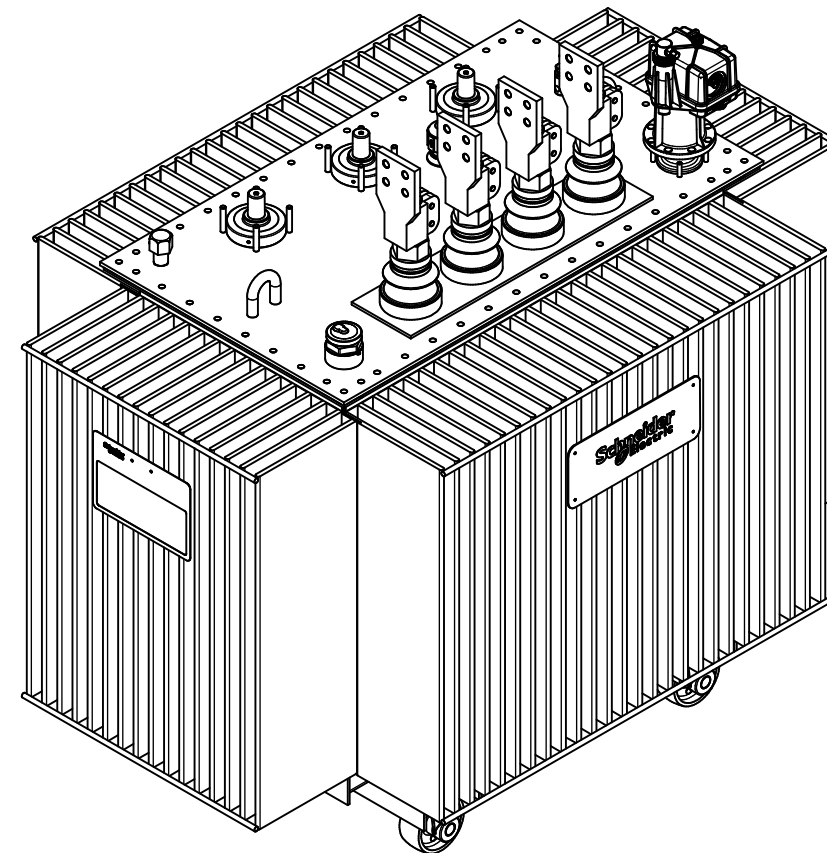
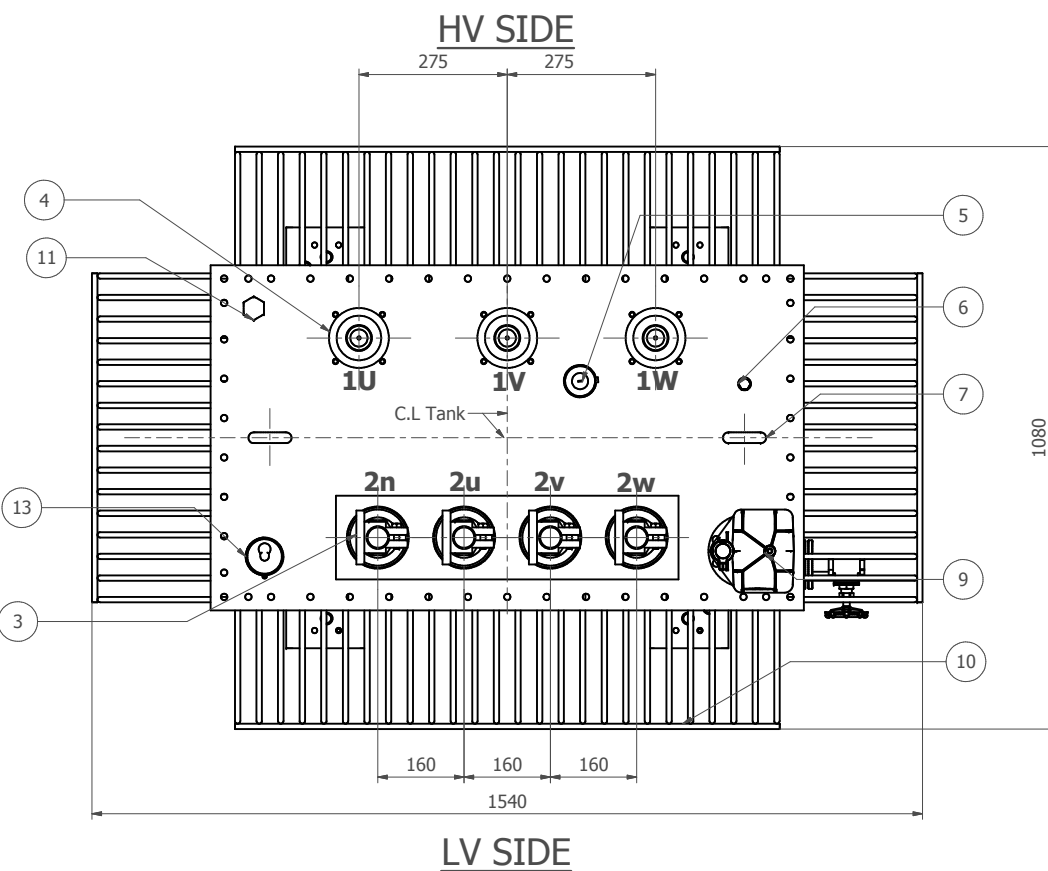
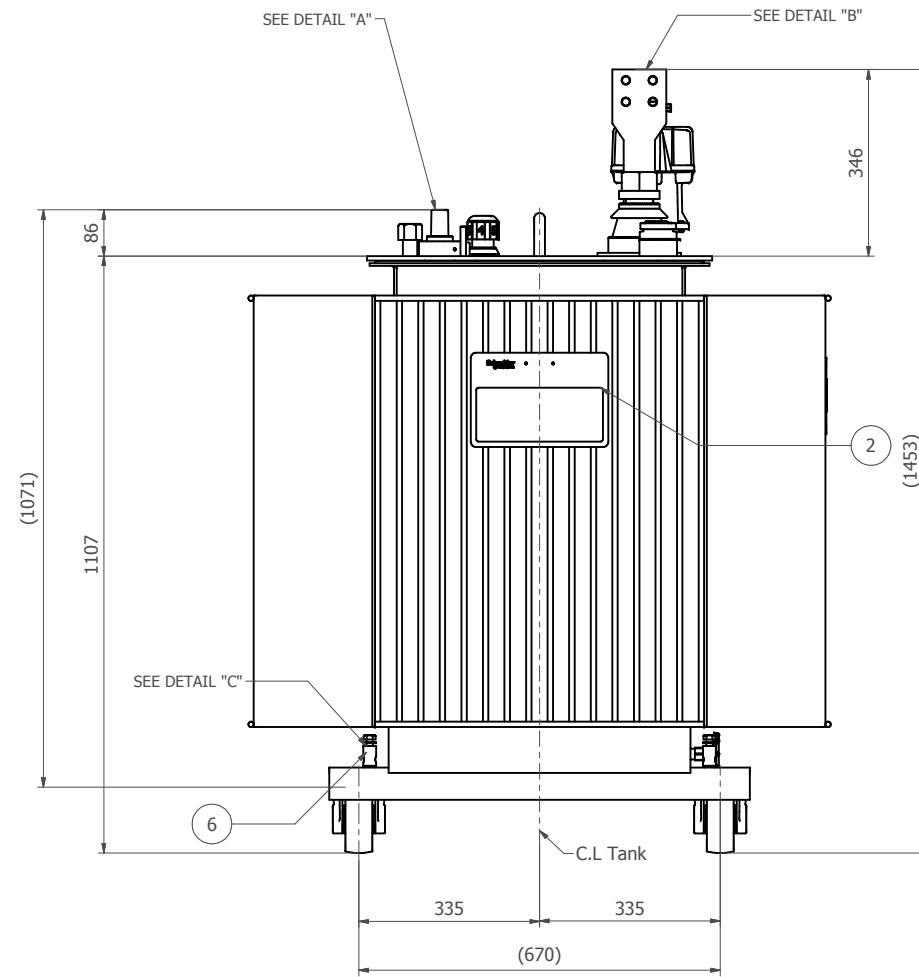
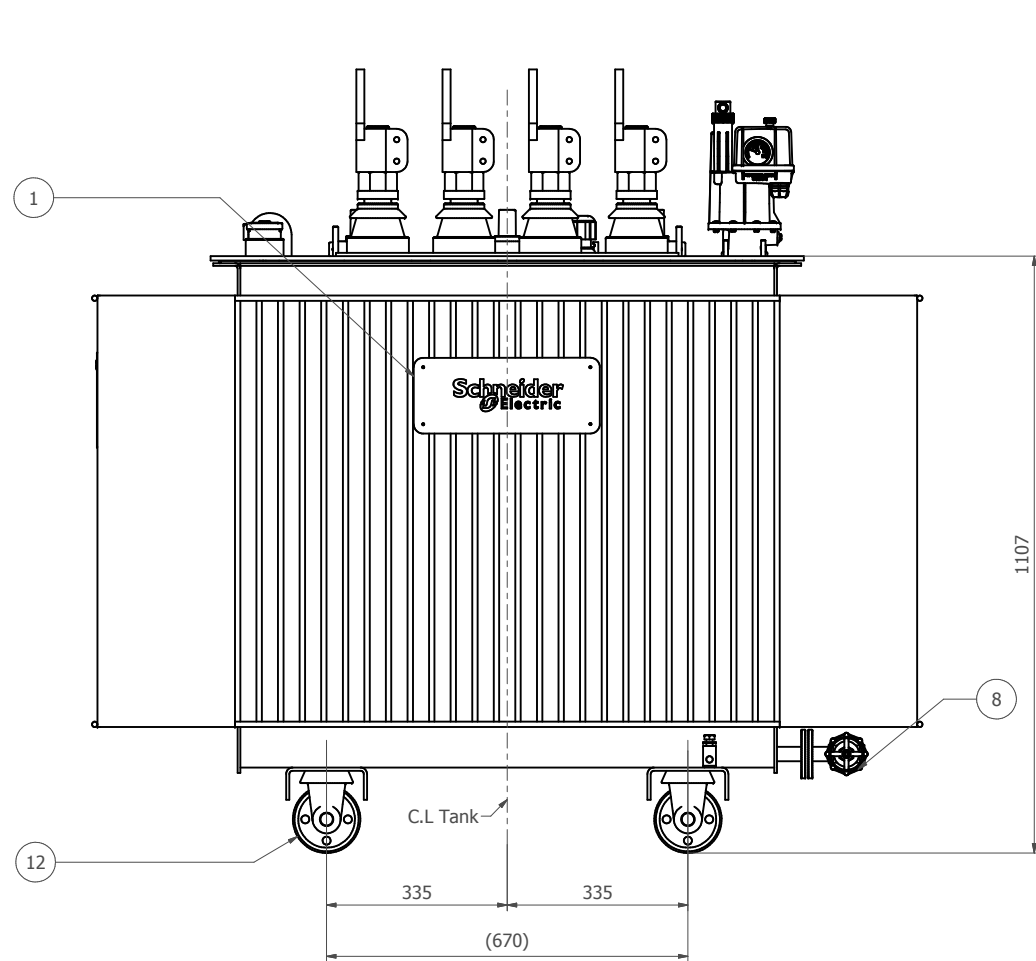


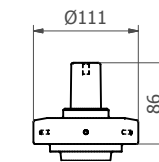
HV SIDE

LV SIDE

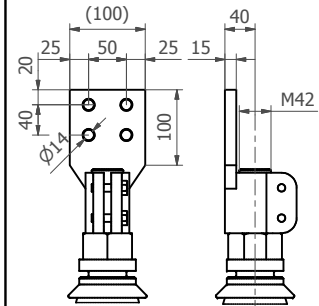


13	PRD Without Contact	50VG2	COMEM	1
12	Bi Directional Roller	Ø125	-	4
11	Filling Plug	3/4"	KITZ	1
10	Radiator Fins	-	-	84
9	Protection Relay	DMCR	IDEF SYSTEMES	1
8	Draining Gate Valve	3/4"	KITZ	1
7	Lifting Lugs	-	-	2
6	Earthing Terminal	-	-	3
5	Off Circuit Tap Changer	24kV - 30A - 5Pos	ELETTRO MAULE	1
4	HV Bushings	Plug-In 24kV / 250A	COMEM	3
3	LV Bushings	1kV / 2000A	COMEM	4
2	Rating Plate	-	-	1
1	Name Plate	-	-	1
Item	Description	Specification	Manufacturer	Qty.

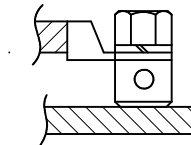
DETAIL "A"
HV Bushings



Detail of "B"
LV Bushings

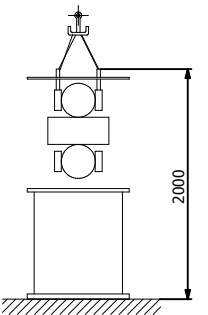


Detail "C"
Earthing Terminal



Size : M12
Material S/S

Lifting Height



Type	HERMETICALLY SEALED TOTALLY OIL FILLED	Total Weight	1900	kg
Rated Power	800 kVA	Untanking Weight	1100	kg
Voltage	20 / 0.4 kV	Weight/Volume of Oil	428 / 475	kg/liter
Current	23 / 1155 A	Oil Type	MINERAL OIL	
Frequency	50 Hz	Colour	RAL 7032	
Vector-Group symbol	Dyn5	Temp. rise OIL/WINDING	60/65	
Cooling Method	ONAN	Standard	IEC 60076	

00	02/10/15	ADD	CHY/CCP	SJ	ORIGINAL
Rev	Date	Drawn	Chk	App	Description
General Tolerances : ISO 2768-1, ISO 1302					
Surface texture: ISO 1302 All dimensions in millimetres unless otherwise stated					
IF IN DOUBT - PLEASE ASK !					
Schneider Electric			Project Name	Project No.	
			PRIVATE	K.9963	
			Title	Scale	
			GENERAL ARRANGEMENT	1 : 7	
Schneider Transformer Cibitung Jl. Selayar Blok AB-10 MM2100 Industrial Park Cibitung - Bekasi 17520 INDONESIA			Drawing no	Sheet no	Total
			K.9963-GI05	1	1
					Size
					A1