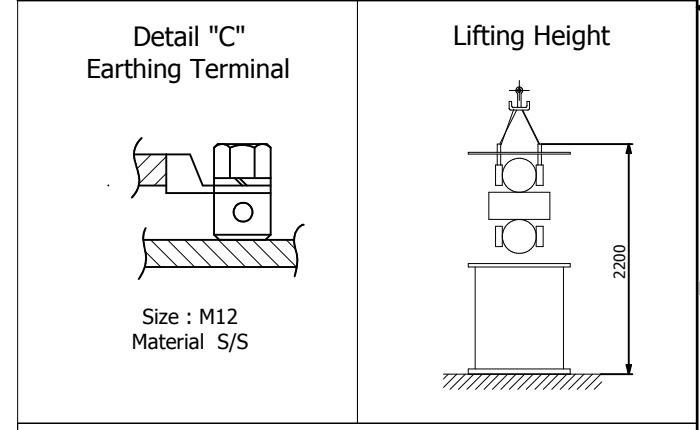
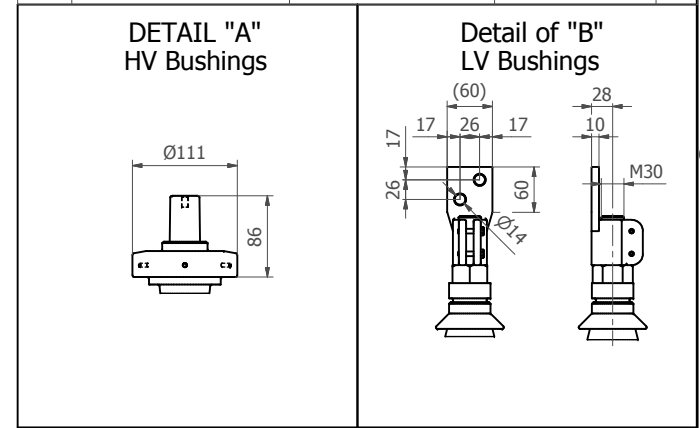


Item	Description	Specification	Manufacturer	Qty.
13	PRD Without Contact	50VG2	COMEM	1
12	Bi Directional Roller	Ø125	-	4
11	Filling Plug	3/4"	KITZ	1
10	Radiator Fins	800 x 260	-	64
9	Protection Relay	DMCR	COMEM	1
8	Draining Gate Valve	3/4"	KITZ	1
7	Lifting Lugs	-	-	2
6	Earthing Terminal	-	-	3
5	Off Circuit Tap Changer	24kV - 30A - 5Pos	ELETTRO MAULE	1
4	HV Bushings	Plug-In 24kV / 250A	COMEM	3
3	LV Bushings	1kV / 1000A	COMEM	4
2	Rating Plate	-	-	1
1	Name Plate	-	-	1



Type	HERMETICALLY SEALED TOTALLY OIL FILLED	Total Weight	1570	kg
Rated Power	630 kVA	Untanking Weight	890	kg
Voltage	20 / 0.4 kV	Weight/Volume of Oil	358 / 400	kg/liter
Current	18 / 909 A	Oil Type	MINERAL OIL	
Frequency	50 Hz	Colour	RAL 7032	
Vector-Group symbol	Dyn5	Temp. rise OIL/WINDING	60/65	
Cooling Method	ONAN	Standard	IEC 60076	

Rev	Date	Drawn	Chk	App	Description
00	12/10/15	ADD	CHY/CCP	SJ	ORIGINAL

General Tolerances : ISO 2768-1, ISO 13020

Surface texture: ISO 1302 All dimensions in millimetres unless otherwise stated

IF IN DOUBT - PLEASE ASK !

Project Name	PRIVATE C63	Project No.	J.9963
Title	GENERAL ARRANGEMENT	Scale	1 : 7
Drawing no	J.9963-GI05	Sheet no	1
Total	1	Size	A1

Schneider Electric
 Schneider Transformer Cibitung
 Jl. Selayar Blok AB-10 MM2100 Industrial Park
 Cibitung - Bekasi 17520
 INDONESIA