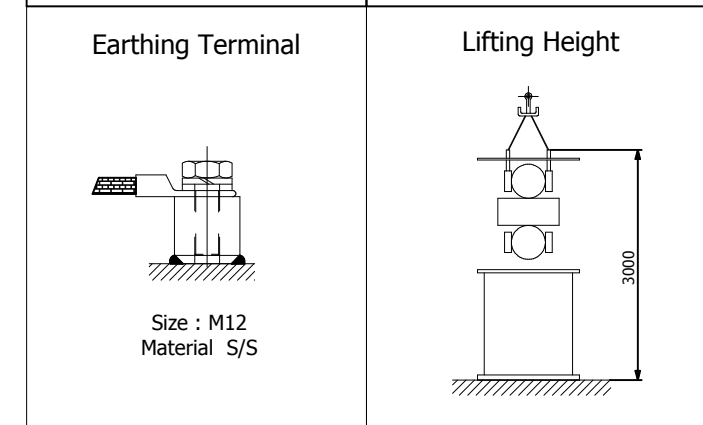
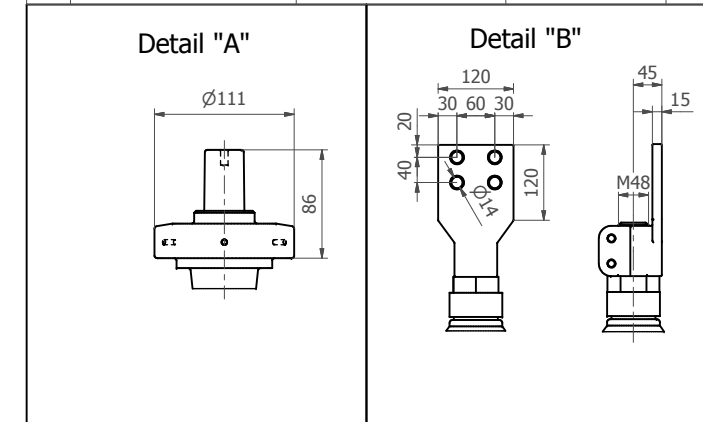


Ite	Description	Specification	Manufacturer	Qty.
13	PRD Without Contact	50VG2	COMEM	1
12	Bi Directional Roller	Ø125	-	4
11	Filling Gate Valve	3/4 "	KITZ	1
10	Radiator Fins	1100 x 400	-	118
9	Protection Relay	DMCR	IDEF SYSTEMES	1
8	Draining Gate Valve	3/4 "	KITZ	1
7	Lifting Lugs	-	-	2
6	Earthing Terminal	-	-	3
5	Off Circuit Tap Changer	24kV - 30A - 5 Pos	ELETTRO MAULE	1
4	HV Bushings	Plug-In 24kV / 250A	COMEM	3
3	LV Bushings	1kV / 3150A	COMEM	4
2	Rating Plate	-	-	1
1	Name Plate	-	-	1



Type	HERMETICALLY SEALED TOTALLY OIL FILLED	Total Weight	3550	kg
Rated Power	1600	kVA	Untanking Weight	1635
			kg	
Voltage	20	kV	Weight/Volume of Oil	716 / 795
	0.4		kg/liter	
Current	46	A	Oil Type	MINERAL OIL
	2309			
Frequency	50	Hz	Colour	RAL 7032
Vector-Group symbol	Dyn5	Temp. rise OIL/WINDING	60/65	
Cooling Method	ONAN	Standard	IEC 60076	

Rev	Date	Drawn	Chk	App	Description
00	09/10/15	ADD	CHY/CCP	SJ	ORIGINAL

General tolerances: ISO 2768 Surface texture: ISO 1302 All dimensions in millimetres unless otherwise stated

IF IN DOUBT - PLEASE ASK !

Project Name	Project No.		
PRIVATE C63	N.9963		
Title	Scale		
GENERAL ARRANGEMENT	1 : 10		
Drawing no	Sheet no	Total	Size
N.9963-GI05	1	1	A1

Schneider Electric
Schneider Transformer Cibitung
Jl. Selayar Blok AB-10 MM2100 Industrial Park
Cibitung - Bekasi 17520
INDONESIA