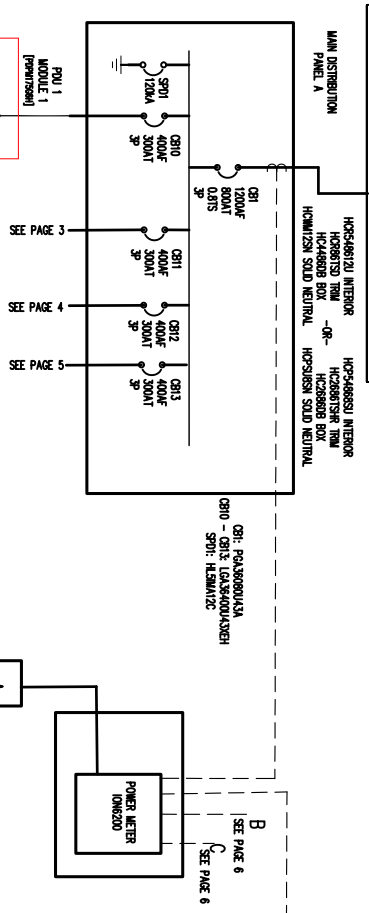
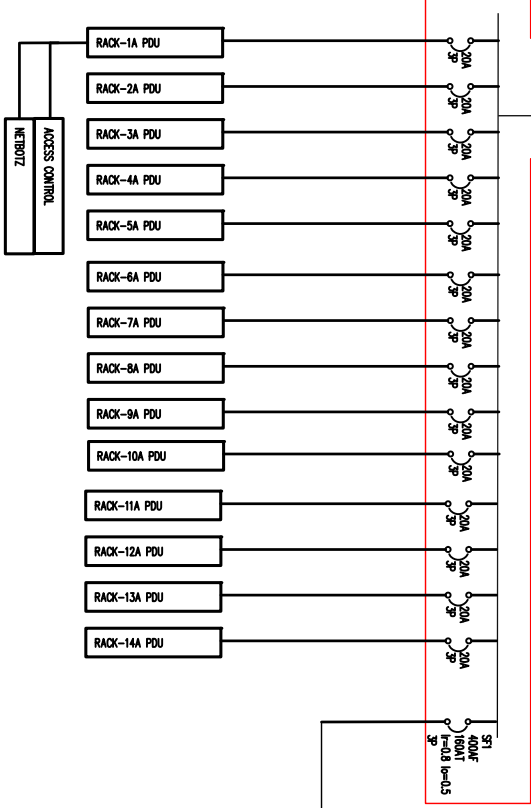
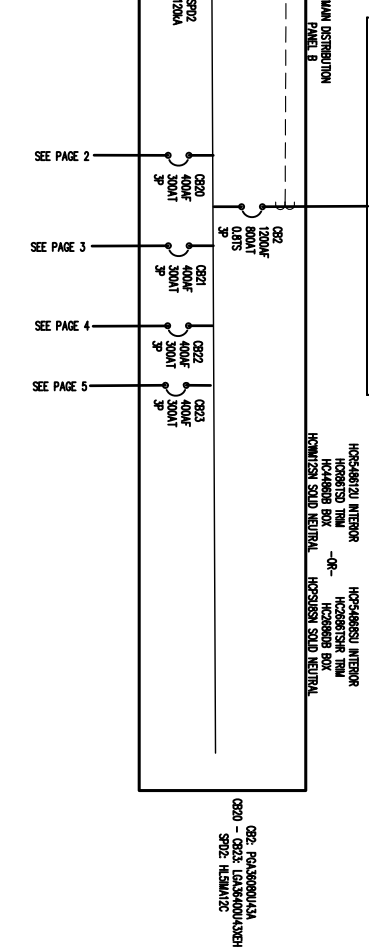


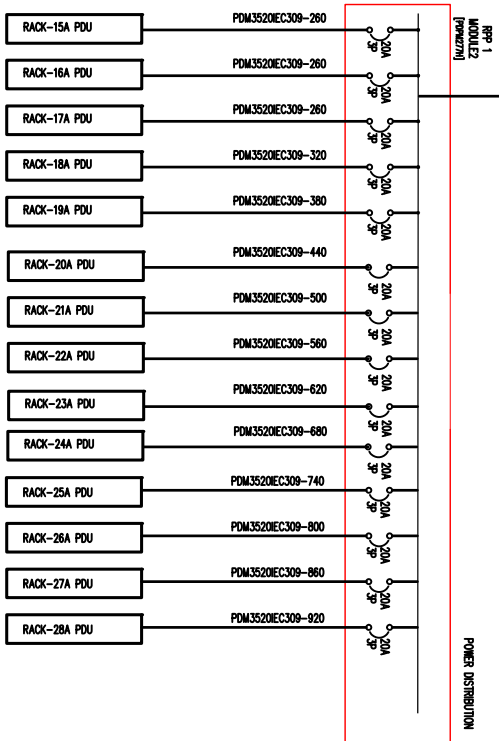
SOURCE #1	
UTILITY / GENERATOR	480V-3PH-4QWZ-3W4G
MINIMUM CIRCUIT CAPACITY	602 AMPS
MAXIMUM VOLTAGE DROP	2 %
AFC AT POINT OF CONSUMER ENTRANCE 30 KVA	



SOURCE #2	
UTILITY / GENERATOR	480V-3PH-4QWZ-3W4G
MINIMUM CIRCUIT CAPACITY	602 AMPS
MAXIMUM VOLTAGE DROP	2 %
AFC AT POINT OF CONSUMER ENTRANCE 30 KVA	



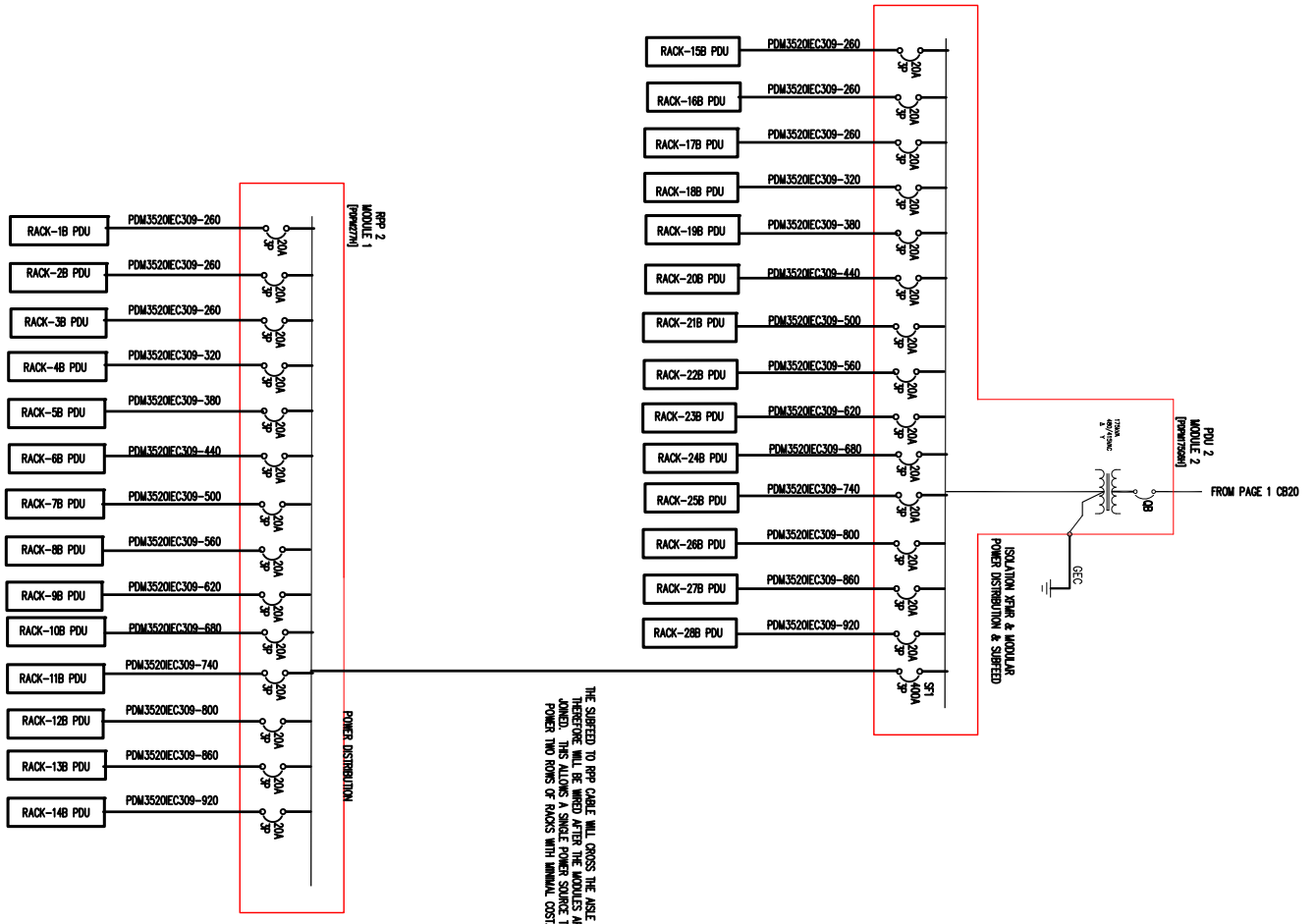
THE SUBJECT TO RPP CABLE WILL CROSS THE ASLE AND HERETOBE WILL BE WIRED AFTER THE MODULES ARE INSTALLED. THE CABLES WILL BE WIRED AFTER THE MODULES ARE POWER TWO ROWS OF RACKS WITH MINIMAL COST.



THIS DRAWING AND SPECIFICATIONS HEREIN ARE THE PROPERTY OF SCHNEIDER ELECTRIC AND SHALL NOT BE COPIED, REPRODUCED OR USED IN WHOLE OR IN PART AS THE BASIS FOR THE MANUFACTURE OR SALE OF ITEMS WITHOUT WRITTEN PERMISSION FROM SCHNEIDER ELECTRIC. THIS DRAWING IS BASED UPON LATEST AVAILABLE INFORMATION AND IS SUBJECT TO CHANGE WITHOUT NOTICE.



TITLE:	MODULAR DATACENTER INFRASTRUCTURE MULTIBAY PDU PERMETER NAM SCHNEIDER ELECTRIC IT MODULE SYSTEM ONE LINE DIAGRAM
PROJECT:	MULTIBAY PDU PERMETER NAM
SHEET:	1 OF 6
DWG NO.:	PFMIEA500C2N097A
DATE:	26 JAN 15
ENGINEER:	M. UHRMAN
APPROVED:	M. UHRMAN
PROJECTION:	ANGLE
DATE:	26 JAN 15
PROJECTION:	N.A.

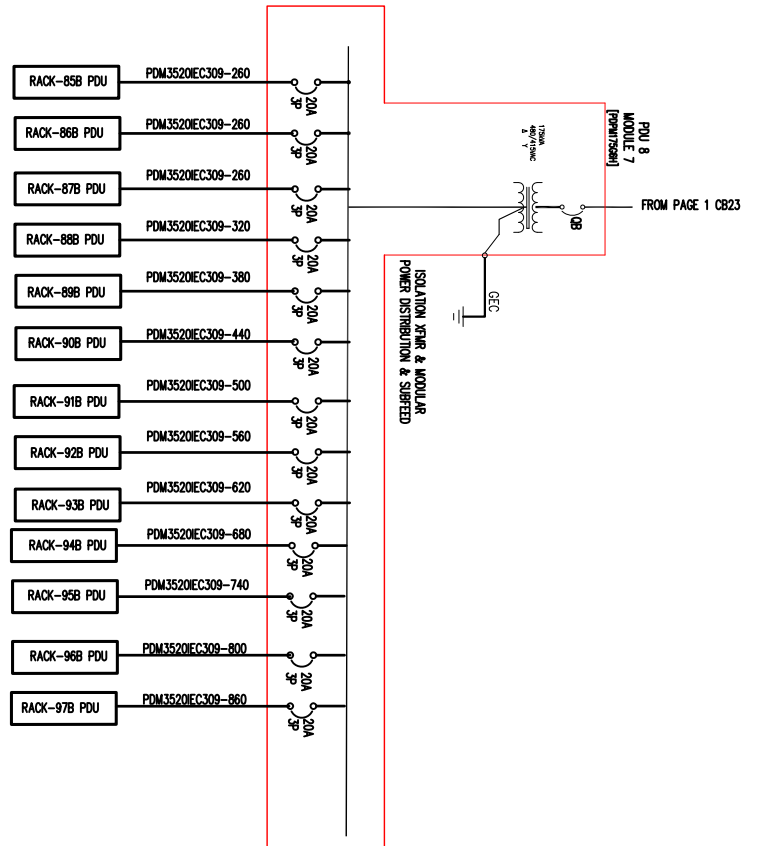
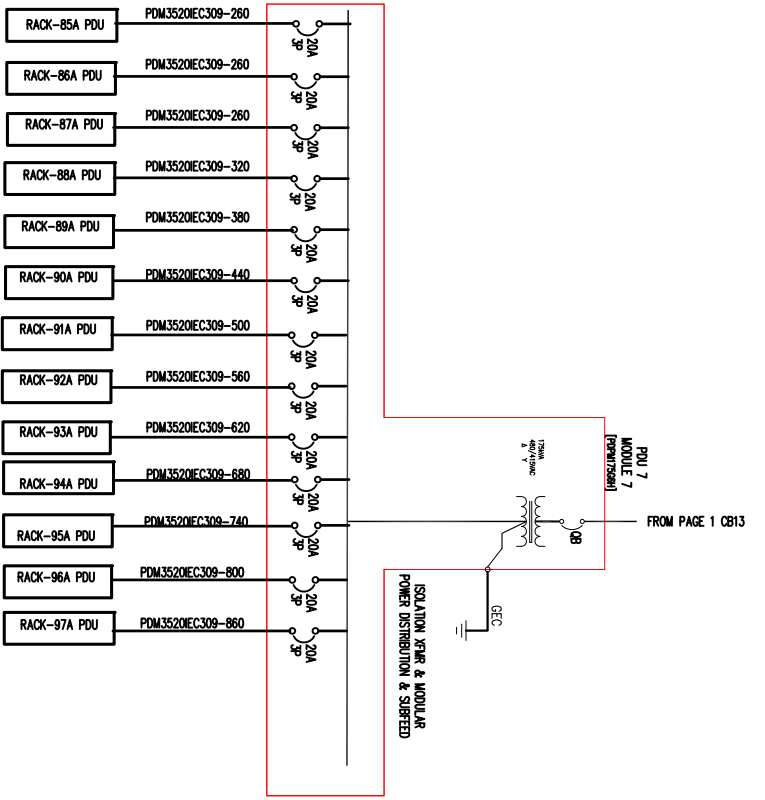


THE SHIPRED TO RPP CABLE WILL CROSS THE AISLE AND THEREFORE WILL BE WIRED AFTER THE MODULES ARE JOINED. THIS ALLOWS A SINGLE POWER SOURCE TO POWER TWO ROWS OF RACKS WITH MINIMAL COST.

THIS DRAWING AND SPECIFICATIONS HEREIN ARE THE PROPERTY OF SCHNEIDER ELECTRIC AND SHALL NOT BE COPIED, REPRODUCED OR USED IN WHOLE OR IN PART AS THE BASIS FOR THE MANUFACTURE OR SALE OF ITEMS WITHOUT WRITTEN PERMISSION FROM SCHNEIDER ELECTRIC. THIS DRAWING IS BASED UPON LATEST AVAILABLE INFORMATION AND IS SUBJECT TO CHANGE WITHOUT NOTICE.



TITLE:	MODULAR DATA CENTER INFRASTRUCTURE MULTIBAY PDU PERMETER NAM SCHNEIDER ELECTRIC IT MODULE SYSTEM ONE LINE DIAGRAM
PROJECT:	MULTIBAY PDU PERMETER NAM
SHEET:	2 OF 6
DWG NO.:	PFMIEA500C2N097A
REV:	06
DRAWN:	M. UHRMAN
ENGINEER:	M. UHRMAN
APPROVED:	M. UHRMAN
DATE:	26 JAN 15
DATE:	26 JAN 15
DATE:	11 APR 16
PROJECTION:	ANGLE
PROJECTION:	N.A.

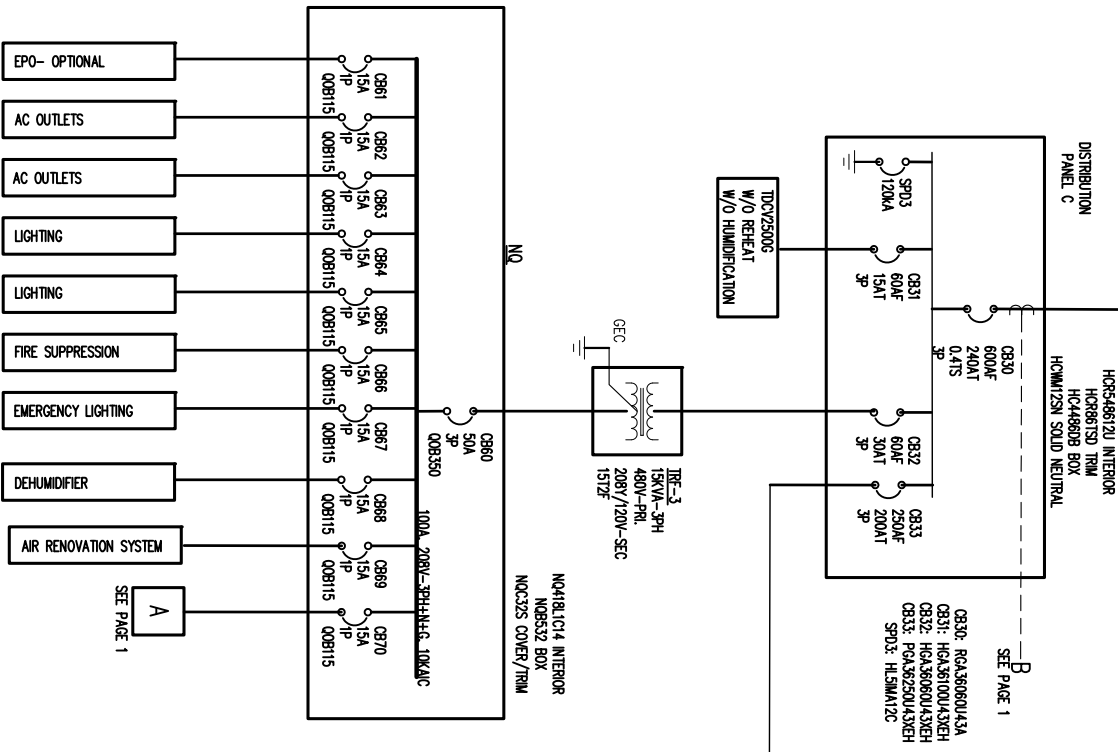


THIS DRAWING AND SPECIFICATIONS HEREIN ARE THE PROPERTY OF SCHNEIDER ELECTRIC AND SHALL NOT BE COPIED, REPRODUCED OR USED IN WHOLE OR IN PART AS THE BASIS FOR THE MANUFACTURE OR SALE OF ITEMS WITHOUT WRITTEN PERMISSION FROM SCHNEIDER ELECTRIC. THIS DRAWING IS BASED UPON LATEST AVAILABLE INFORMATION AND IS SUBJECT TO CHANGE WITHOUT NOTICE.



TITLE:	MODULAR DATACENTER INFRASTRUCTURE	DWG NO.:	PFMIEA500C2N097A	REV:	06
PROJECT:	MULTIBAY PDU PERMETER NAM SYSTEM ONE LINE DIAGRAM	DRAWN:	M. UHRMAN	DATE:	26 JAN 15
		ENGINEER:	M. UHRMAN	DATE:	26 JAN 15
		APPROVED:	M. UHRMAN	DATE:	11 APR 16
					ANGLE PROJECTION
					N.A.

SOURCE #3	
UTILITY / GENERATOR	480V-3PH-60HZ-3W-G
MINIMUM CIRCUIT AMPACITY	133 AMPS
MAXIMUM VOLTAGE DROP	2 %
AFC AT POINT OF CONTAINER ENTRANCE	30 KVAIC



SOURCE #4	
UTILITY / GENERATOR	480V-3PH-60HZ-3W-G
MINIMUM CIRCUIT AMPACITY	115 AMPS
MAXIMUM VOLTAGE DROP	2 %
AFC AT POINT OF CONTAINER ENTRANCE	30 KVAIC

