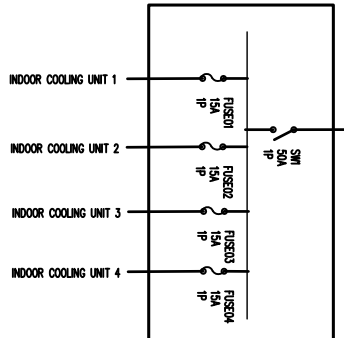
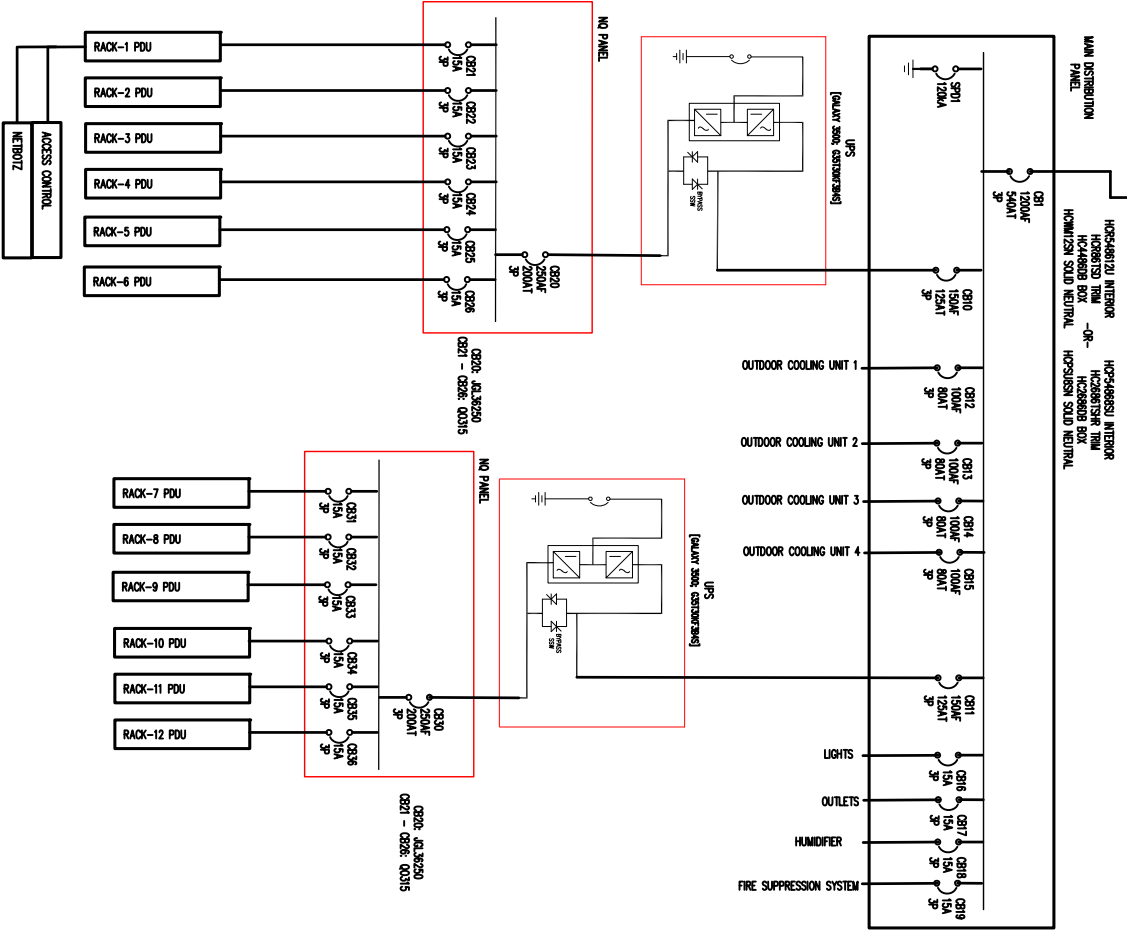


SOURCE #1	
UTILITY	208V-3PH-04WZ-3W4H+G
MINIMUM CIRCUIT CAPACITY	44A AMPS
NOMINAL VOLTAGE DROP	2 %
PEC AT POINT OF CONTAINER ENTRANCE	35 KW/KV

SOURCE #2	
UTILITY	208/230V-1PH-04WZ-3W4H+G
MINIMUM CIRCUIT CAPACITY	34 AMPS
NOMINAL VOLTAGE DROP	2 %
PEC AT POINT OF CONTAINER ENTRANCE	65 KW/KV



THIS DRAWING AND SPECIFICATIONS HEREIN ARE THE PROPERTY OF SCHNEIDER ELECTRIC AND SHALL NOT BE COPIED, REPRODUCED OR USED IN WHOLE OR IN PART AS THE BASIS FOR THE MANUFACTURE OR SALE OF ITEMS WITHOUT WRITTEN PERMISSION FROM SCHNEIDER ELECTRIC. THIS DRAWING IS BASED UPON LATEST AVAILABLE INFORMATION AND IS SUBJECT TO CHANGE WITHOUT NOTICE.

TITLE:	MODULAR DATACENTER INFRASTRUCTURE 500W ISO NAM SCHNEIDER ELECTRIC IT MODULE SYSTEM ONE LINE DIAGRAM
PROJECT:	SOKAW ISO NAM
SHEET:	1 OF 1
DWG NO.:	PFMICP050F1N12D
REV:	01
DRAWN:	M. UHRMAN
ENGINEER:	M. UHRMAN
APPROVED:	M. UHRMAN
DATE:	11 AUG 15
DATE:	13 AUG 15
PROJECTION:	ANGLE
PROJECTION:	N.A.

