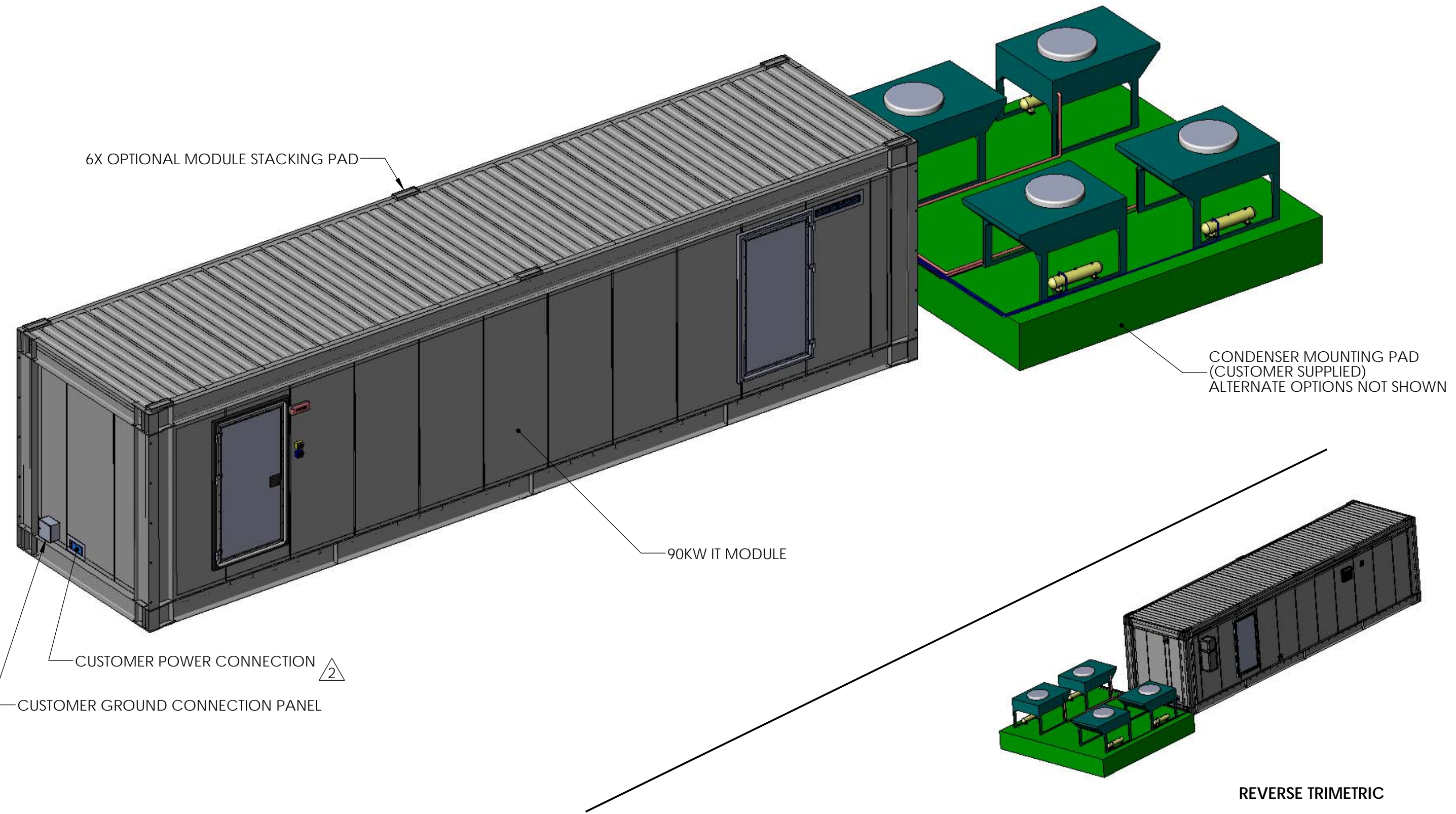


A B C D E F G H

REVISIONS					
REV.	SUFFIX	ECO #	DESCRIPTION	DATE	APPROVED
01			RELEASE TO PRODUCTION	15 JUL 14	KMS
02			ADDED 2 NOTES TO END VIEW SH 2	9 AUG 14	KMS



NOTES, UNLESS OTHERWISE SPECIFIED:

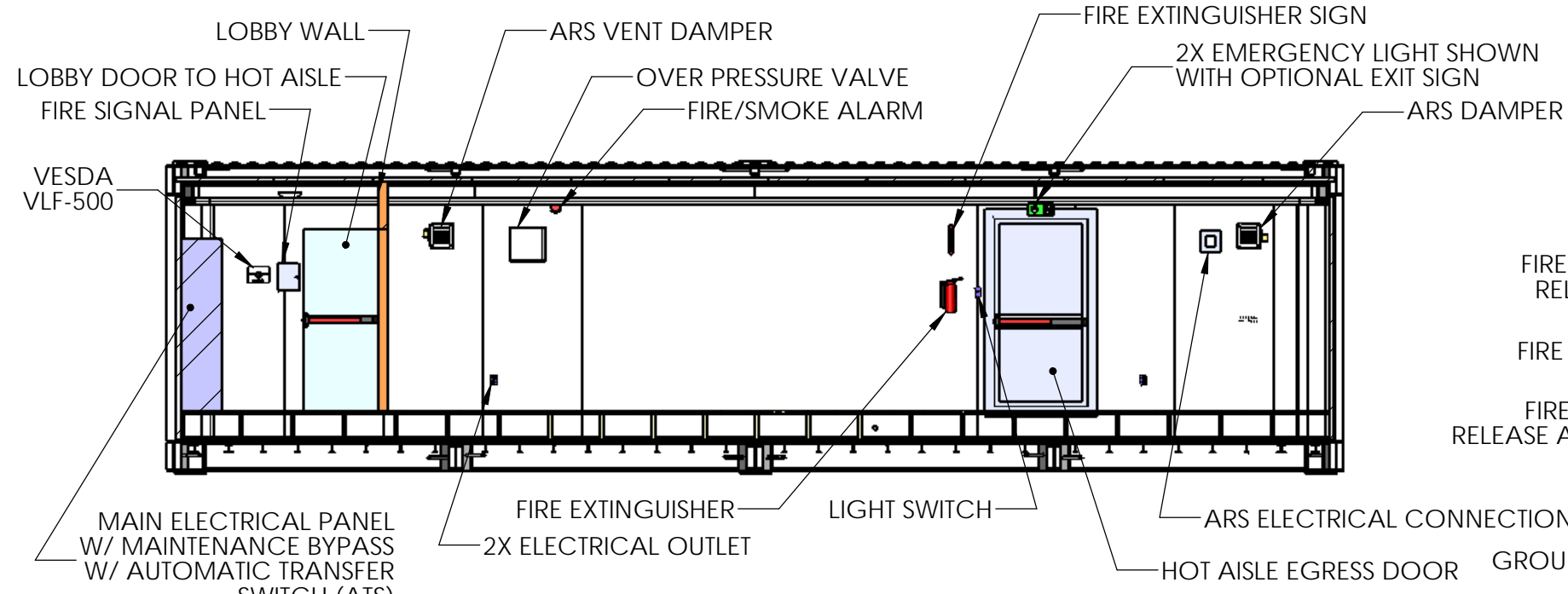
1. ALL DIMENSIONS ARE IN MILLIMETERS (INCHES).
2. ALL DATA CABLE, POWER CABLE, COOLING PIPING, AND COOLING POWER INTERFACES ARE THROUGH ROXTEC CABLE ENTRY SEALS.

THIS DRAWING AND SPECIFICATIONS HEREIN ARE THE PROPERTY OF SCHNEIDER ELECTRIC AND SHALL NOT BE COPIED, REPRODUCED OR USED IN WHOLE OR IN PART, AS THE BASIS FOR THE MANUFACTURE OR SALE OF ITEMS WITHOUT WRITTEN PERMISSION FROM SCHNEIDER ELECTRIC. THIS DRAWING IS BASED UPON LATEST AVAILABLE INFORMATION AND IS SUBJECT TO CHANGE WITHOUT NOTICE.

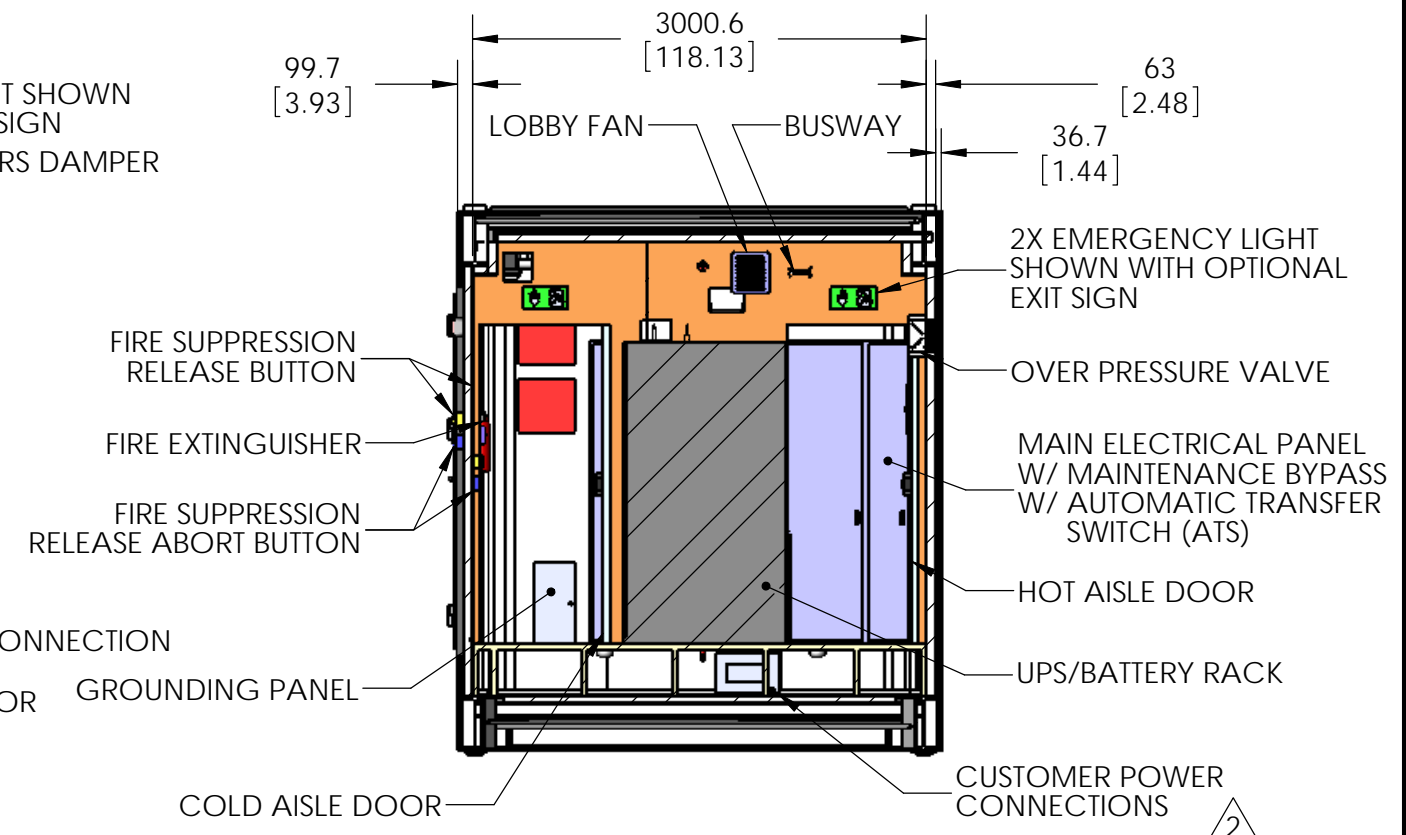


TITLE:	90KW ALL-IN-ONE PRE-FABRICATED IT MODULE, BUSWAY, EMEA		DWG NO.:	PFMIEJ090D1E12B		REV	02
PROJECT:	PRE-FAB SOLUTIONS	SHEET 1 OF 7	ENGINEER:	K SCHALLER	4/3/2014	SIZE	B
			DRAWN:	K SCHALLER	4/3/2014		
			APPROVED:	K SCHALLER	4/3/2014		

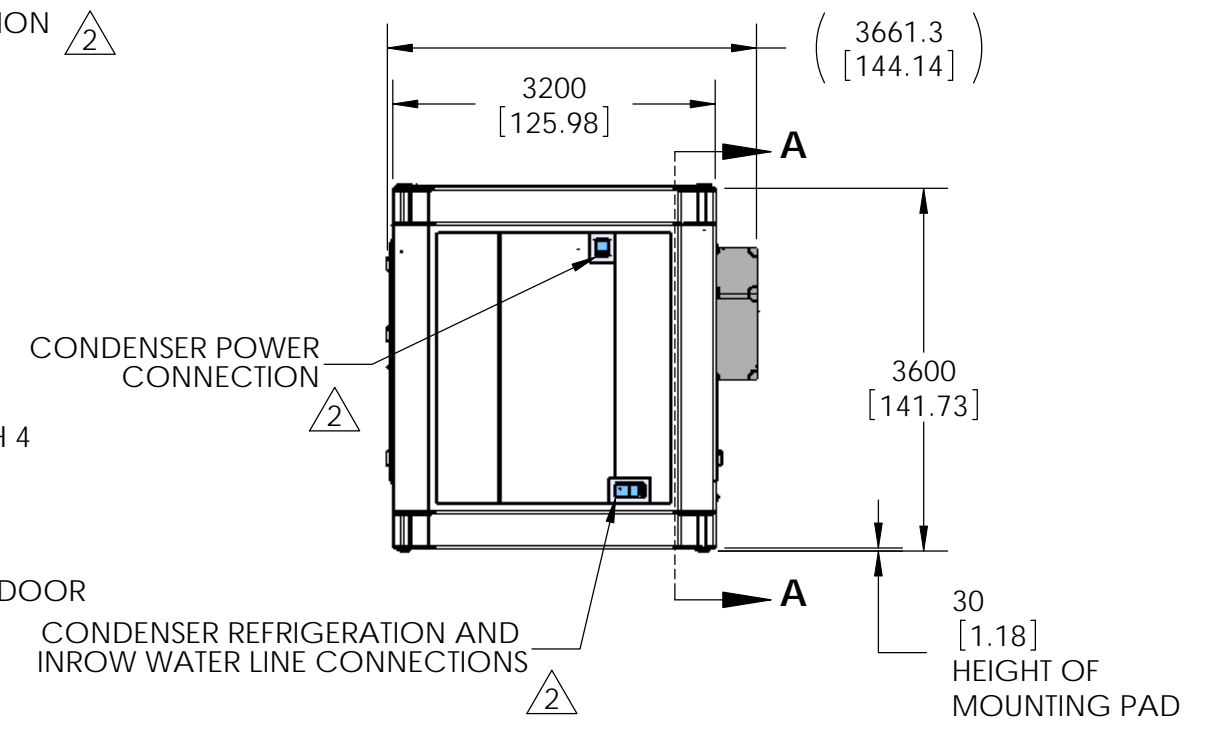
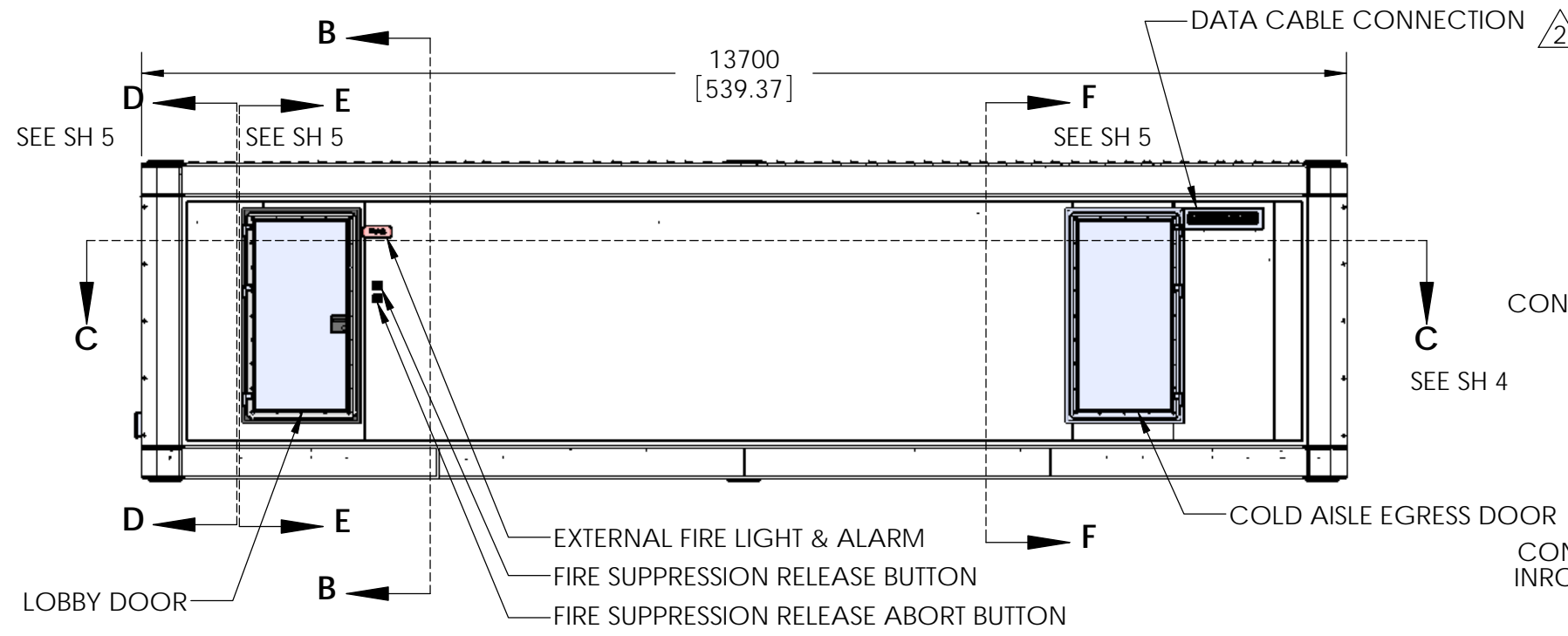
A B C D E F G H



SECTION A-A
SCALE 1 : 75



SECTION B-B
SCALE 1 : 50



THIS DRAWING AND SPECIFICATIONS HEREIN ARE THE PROPERTY OF SCHNEIDER ELECTRIC AND SHALL NOT BE COPIED, REPRODUCED OR USED IN WHOLE OR IN PART, AS THE BASIS FOR THE MANUFACTURE OR SALE OF ITEMS WITHOUT WRITTEN PERMISSION FROM SCHNEIDER ELECTRIC. THIS DRAWING IS BASED UPON LATEST AVAILABLE INFORMATION AND IS SUBJECT TO CHANGE WITHOUT NOTICE.



TITLE: 90kW ALL-IN-ONE PRE-FABRICATED IT MODULE, BUSWAY, EMEA

DWG NO.	PFMIEJ090D1E12B	REV	02
ENGINEER:	K SCHALLER	4/3/2014	SIZE B
DRAWN:	K SCHALLER	4/3/2014	
APPROVED:	K SCHALLER	4/3/2014	

PROJECT: PRE-FAB SOLUTIONS SHEET 2 OF 7

A B C D E F G H

1

1

2

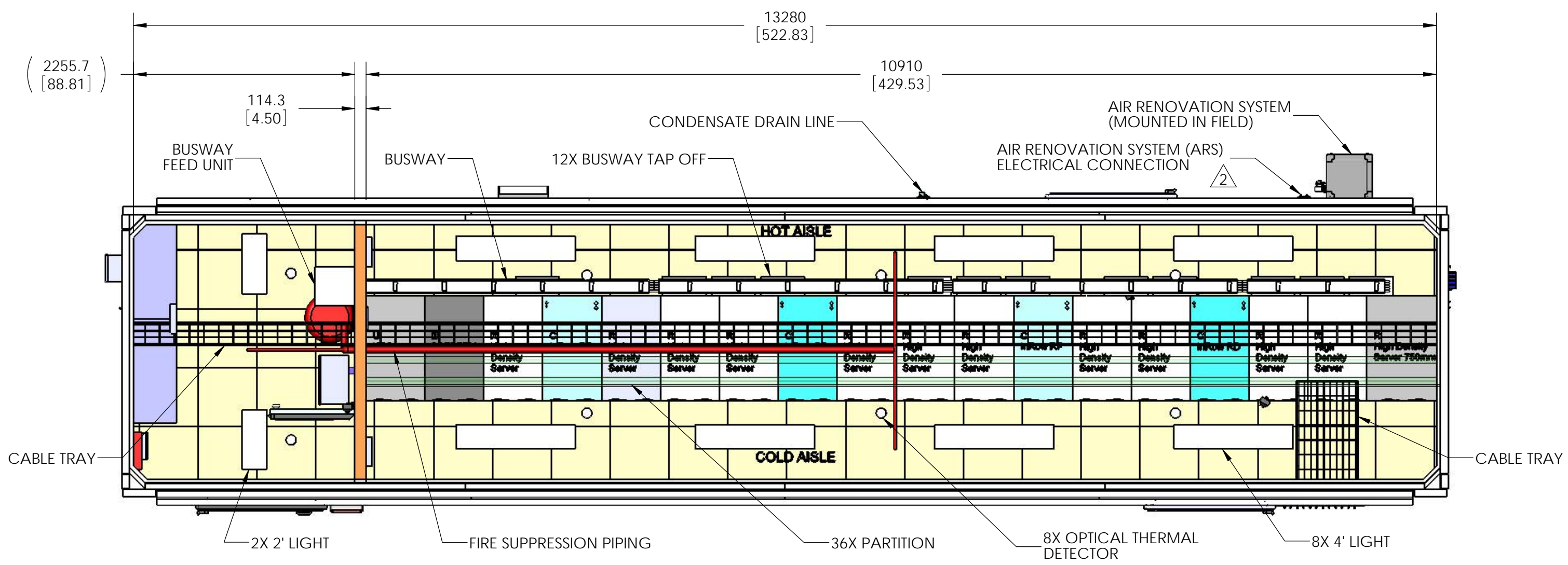
2

3

3

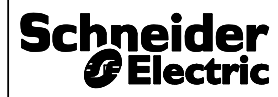
4

4



TOP VIEW
ROOF & OUTER FRAME NOT SHOWN

THIS DRAWING AND SPECIFICATIONS HEREIN ARE THE PROPERTY OF SCHNEIDER ELECTRIC AND SHALL NOT BE COPIED, REPRODUCED OR USED IN WHOLE OR IN PART, AS THE BASIS FOR THE MANUFACTURE OR SALE OF ITEMS WITHOUT WRITTEN PERMISSION FROM SCHNEIDER ELECTRIC. THIS DRAWING IS BASED UPON LATEST AVAILABLE INFORMATION AND IS SUBJECT TO CHANGE WITHOUT NOTICE.

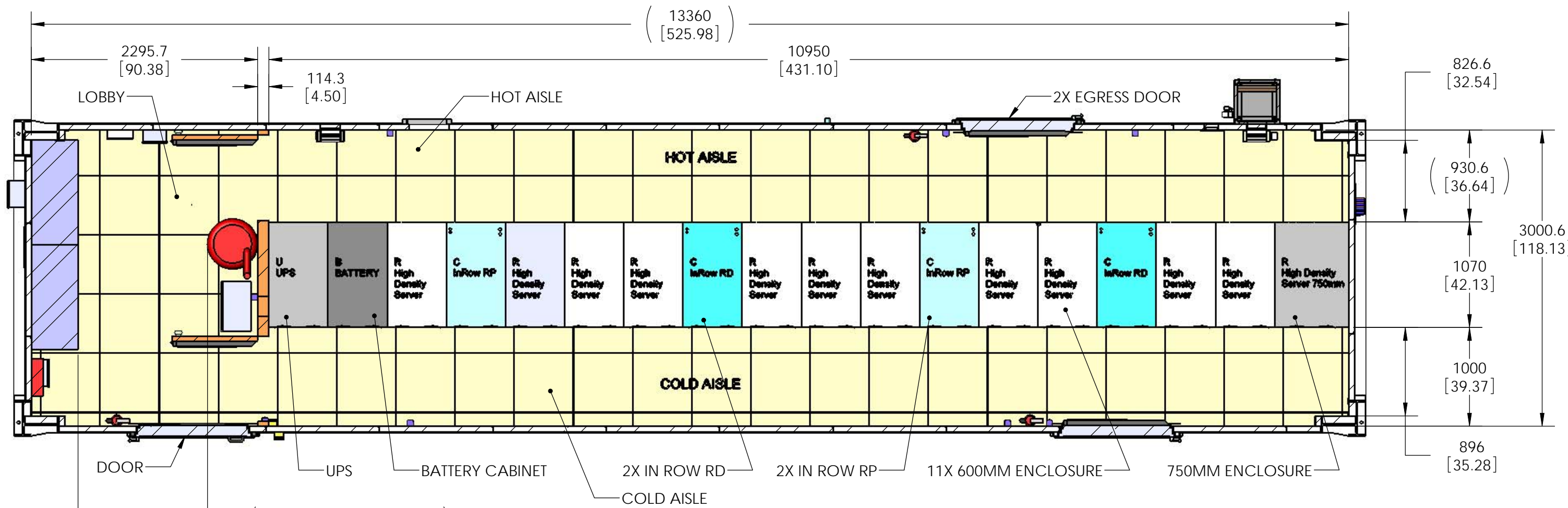


TITLE: 90kW ALL-IN-ONE PRE-FABRICATED IT MODULE, BUSWAY, EMEA

DWG NO.	PFMIEJ090D1E12B		REV	02
ENGINEER:	K SCHALLER	4/3/2014	SIZE	B
DRAWN:	K SCHALLER	4/3/2014		
APPROVED:	K SCHALLER	4/3/2014		

PROJECT: PRE-FAB SOLUTIONS SHEET 3 OF 7

A B C D E F G H



1312.7 [51.68]
MIN LOBBY CLEARANCE
W/ 475MM PANEL &
508MM DIA TANK

SECTION C-C
SCALE 1 : 40
SEE SHEET 2; ZONE E3

THIS DRAWING AND SPECIFICATIONS HEREIN ARE THE PROPERTY OF SCHNEIDER ELECTRIC AND SHALL NOT BE COPIED, REPRODUCED OR USED IN WHOLE OR IN PART, AS THE BASIS FOR THE MANUFACTURE OR SALE OF ITEMS WITHOUT WRITTEN PERMISSION FROM SCHNEIDER ELECTRIC. THIS DRAWING IS BASED UPON LATEST AVAILABLE INFORMATION AND IS SUBJECT TO CHANGE WITHOUT NOTICE.



TITLE: 90kW ALL-IN-ONE PRE-FABRICATED IT MODULE, BUSWAY, EMEA

DWG NO.	PFMIEJ090D1E12B		REV	02
ENGINEER:	K SCHALLER	4/3/2014	SIZE	B
DRAWN:	K SCHALLER	4/3/2014		
APPROVED:	K SCHALLER	4/3/2014		

PROJECT: PRE-FAB SOLUTIONS SHEET 4 OF 7

A B C D E F G H

1

2

3

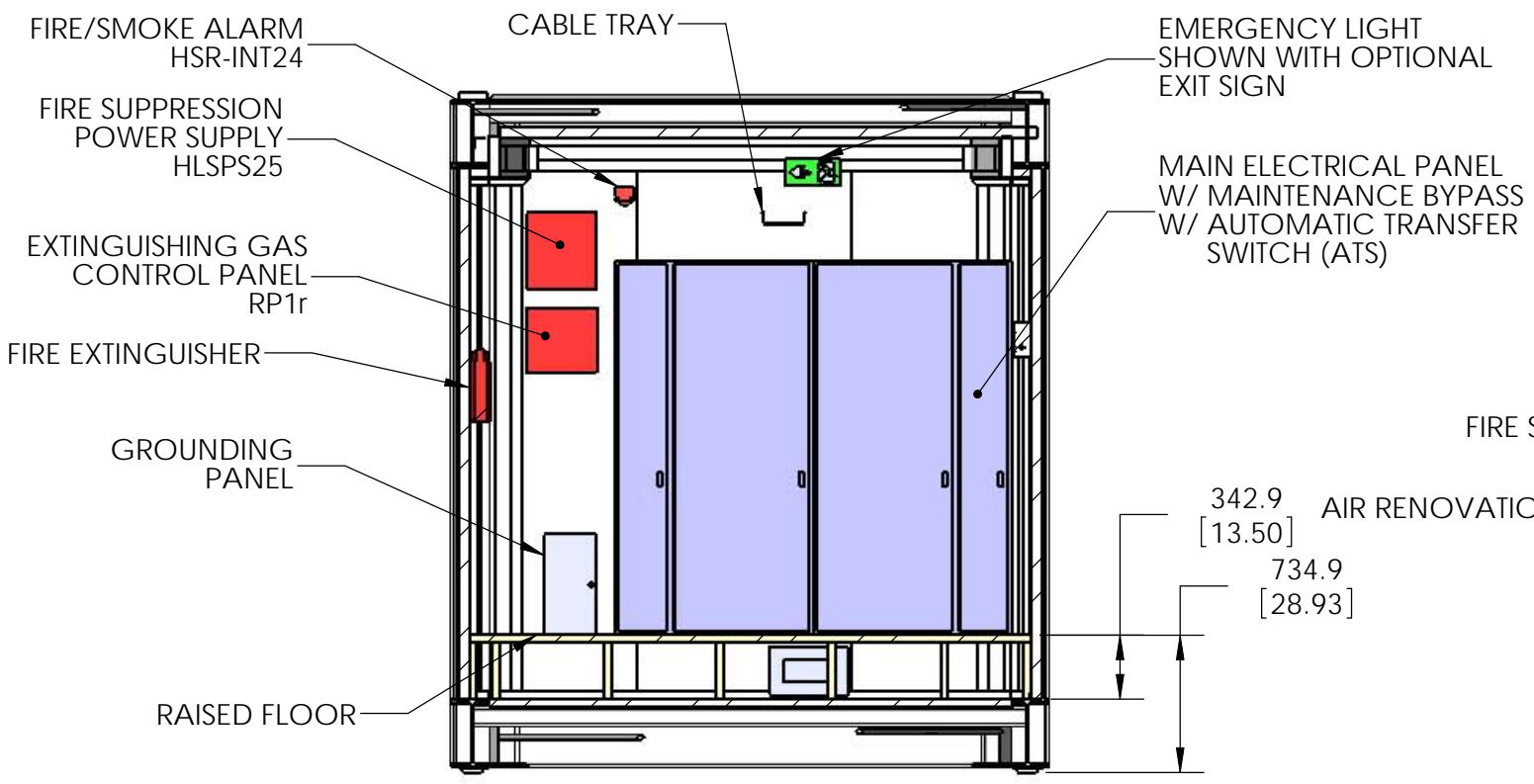
4

1

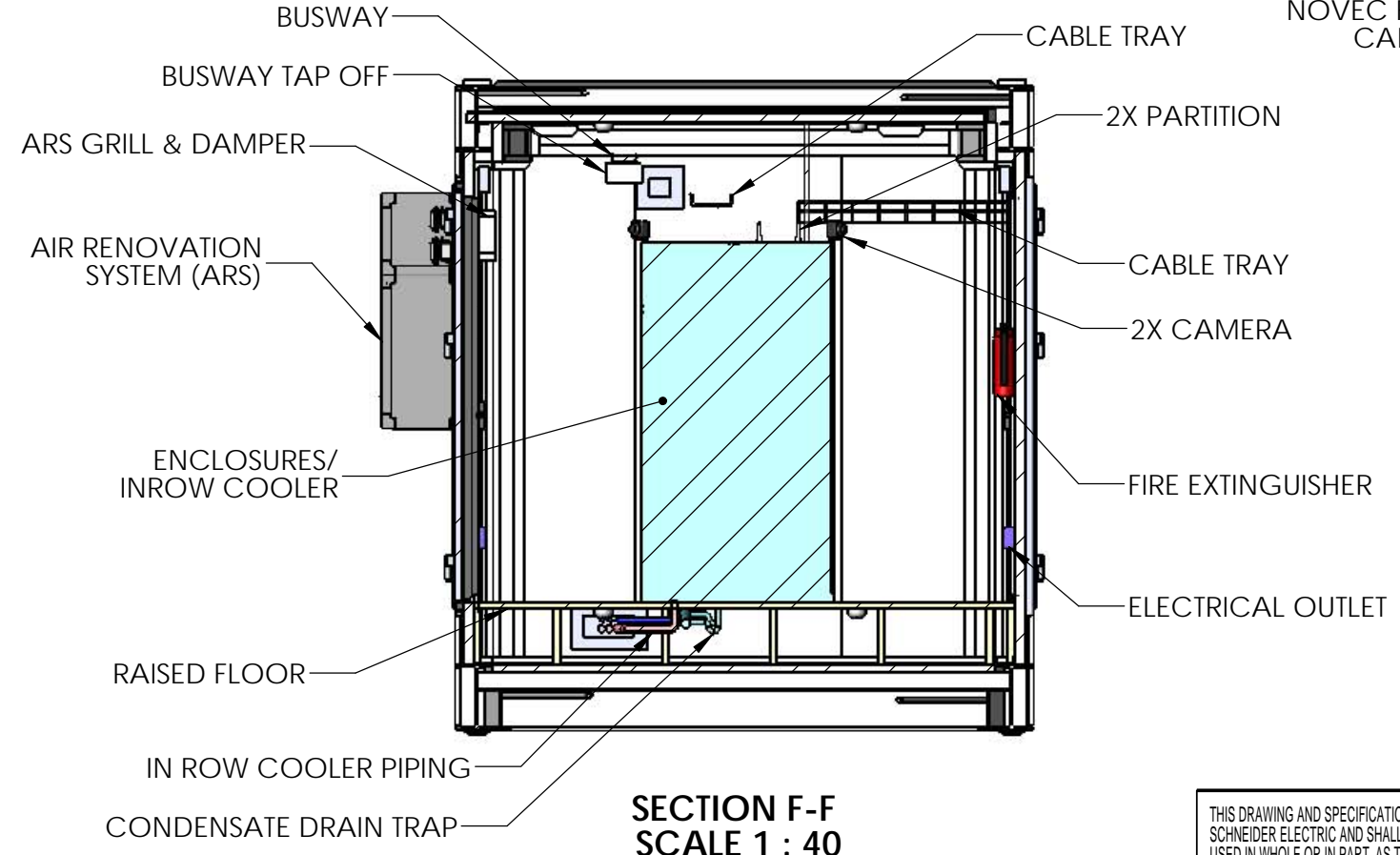
2

3

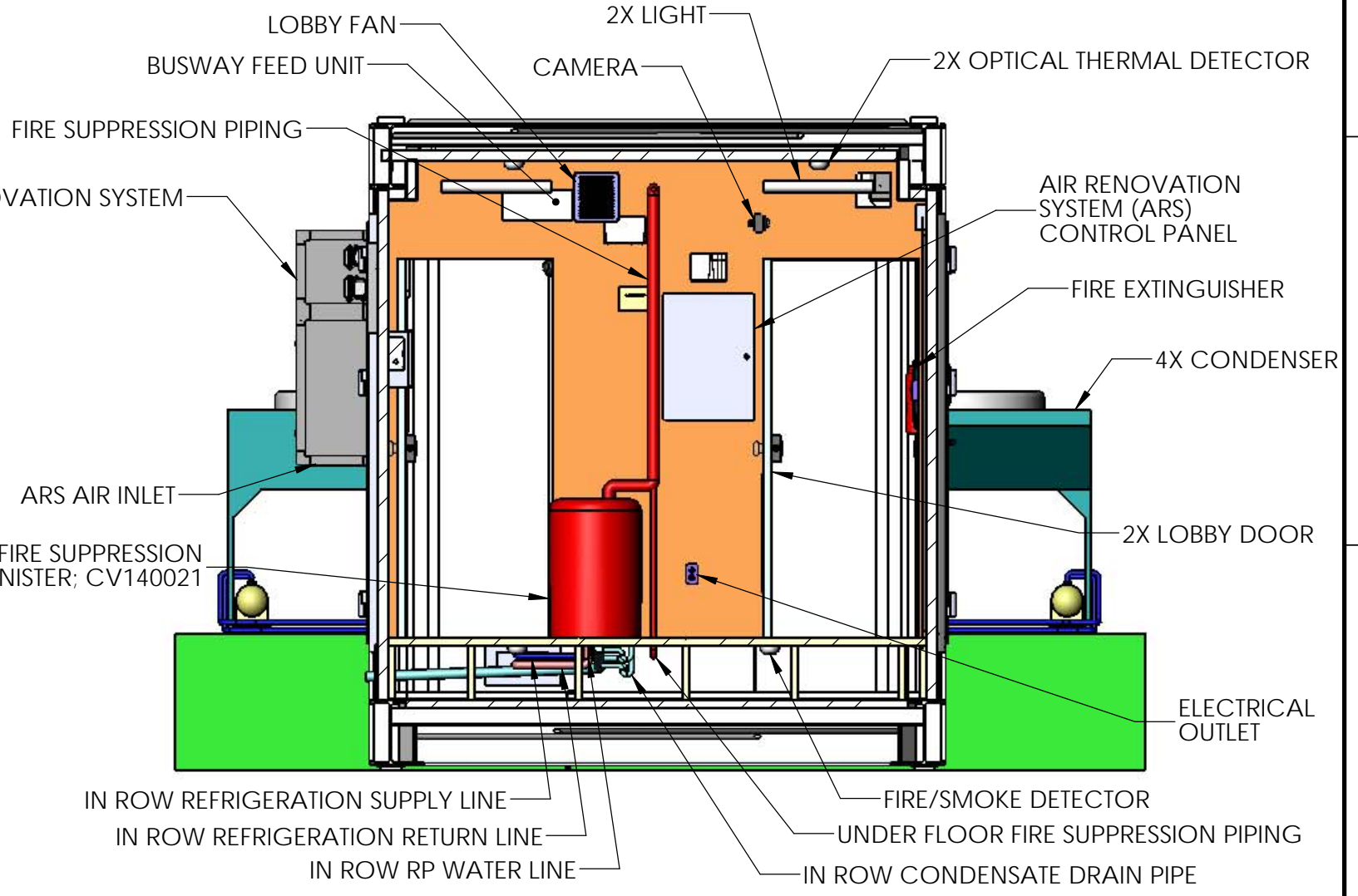
4



SECTION D-D
SCALE 1 : 40
SEE SHEET 2; ZONE A3

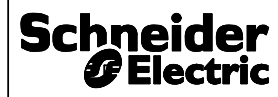


SECTION F-F
SCALE 1 : 40
SEE SHEET 2; ZONE A3



SECTION E-E
SCALE 1 : 35
SEE SHEET 2; ZONE B3

THIS DRAWING AND SPECIFICATIONS HEREIN ARE THE PROPERTY OF SCHNEIDER ELECTRIC AND SHALL NOT BE COPIED, REPRODUCED OR USED IN WHOLE OR IN PART, AS THE BASIS FOR THE MANUFACTURE OR SALE OF ITEMS WITHOUT WRITTEN PERMISSION FROM SCHNEIDER ELECTRIC. THIS DRAWING IS BASED UPON LATEST AVAILABLE INFORMATION AND IS SUBJECT TO CHANGE WITHOUT NOTICE.



TITLE: 90kW ALL-IN-ONE PRE-FABRICATED IT MODULE, BUSWAY, EMEA

DWG NO.	PFMIEJ090D1E12B	REV	02
ENGINEER:	K SCHALLER	4/3/2014	SIZE B
DRAWN:	K SCHALLER	4/3/2014	
APPROVED:	K SCHALLER	4/3/2014	

PROJECT: PRE-FAB SOLUTIONS SHEET 5 OF 7

A B C D E F G H

A B C D E F G H

1

2

3

4

1

2

3

4

(4X 1380
[54.33])

(4X 1910
[75.20])

CONDENSER MOUNTING PAD
(CUSTOMER SUPPLIED)

IN ROW RP HUMIDIFIER WATER LINE
(FIELD INSTALLED)

4X CONDENSER
ACCD75207

(4X 1350
[53.15])

762
[30.00]
MUST BE GREATER THAN
HEIGHT TO IN ROWS

4X CONDENSER POWER CABLE
(FIELD INSTALLED)

4X CONDENSER SUPPLY REFRIGERATION LINE
(FIELD INSTALLED)

4X CONDENSER RETURN REFRIGERATION LINE
(FIELD INSTALLED)

RP IN ROW HUMIDIFIER WATER LINE

4X CONDENSER TO IN ROW COOLER
REFRIGERATION SUPPLY LINE

4X CONDENSER FROM IN ROW COOLER
REFRIGERATION RETURN LINE

SECTION G-G
SCALE 1 : 50

ARS ELECTRICAL CONNECTION

736
[28.98]
HEIGHT TO
IN ROW

IN ROW CONDENSATE DRAIN
(FIELD INSTALLED)

THIS DRAWING AND SPECIFICATIONS HEREIN ARE THE PROPERTY OF SCHNEIDER ELECTRIC AND SHALL NOT BE COPIED, REPRODUCED OR USED IN WHOLE OR IN PART, AS THE BASIS FOR THE MANUFACTURE OR SALE OF ITEMS WITHOUT WRITTEN PERMISSION FROM SCHNEIDER ELECTRIC. THIS DRAWING IS BASED UPON LATEST AVAILABLE INFORMATION AND IS SUBJECT TO CHANGE WITHOUT NOTICE.



TITLE: 90kW ALL-IN-ONE PRE-FABRICATED IT MODULE, BUSWAY, EMEA

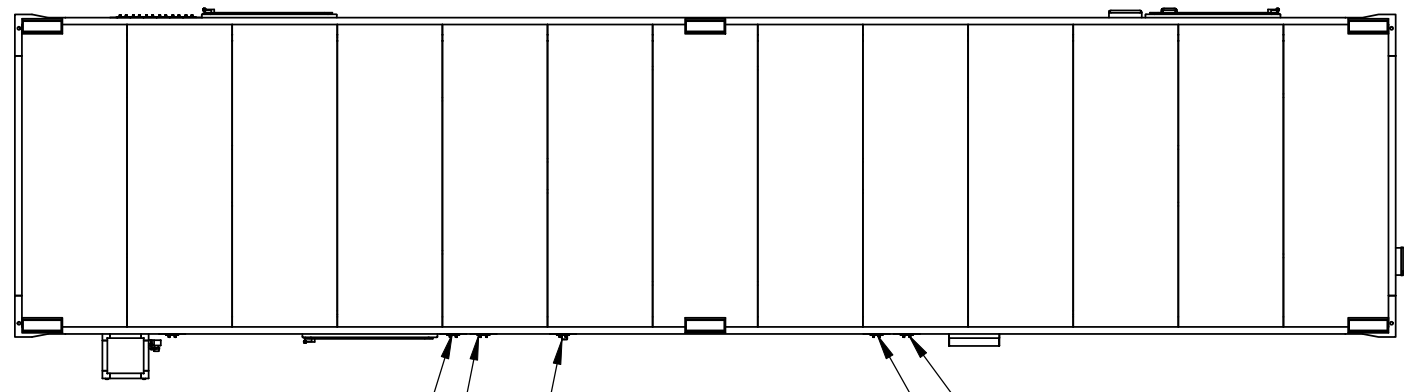
DWG NO.	PFMIEJ090D1E12B		REV	02
ENGINEER:	K SCHALLER	4/3/2014	SIZE	B
DRAWN:	K SCHALLER	4/3/2014		
APPROVED:	K SCHALLER	4/3/2014		

PROJECT: PRE-FAB SOLUTIONS SHEET 6 OF 7

A B C D E F G H

A B C D E F G H

1



914.4
[36.00]
MIN SERVICE CLEARANCE
REQUIRED IN FRONT &
BACK OF THE CONDENSER

1910
[75.20]

COOLING PIPING & POWER FOR
4TH IN ROW TO 4TH CONDENSER
(FIELD INSTALLED)

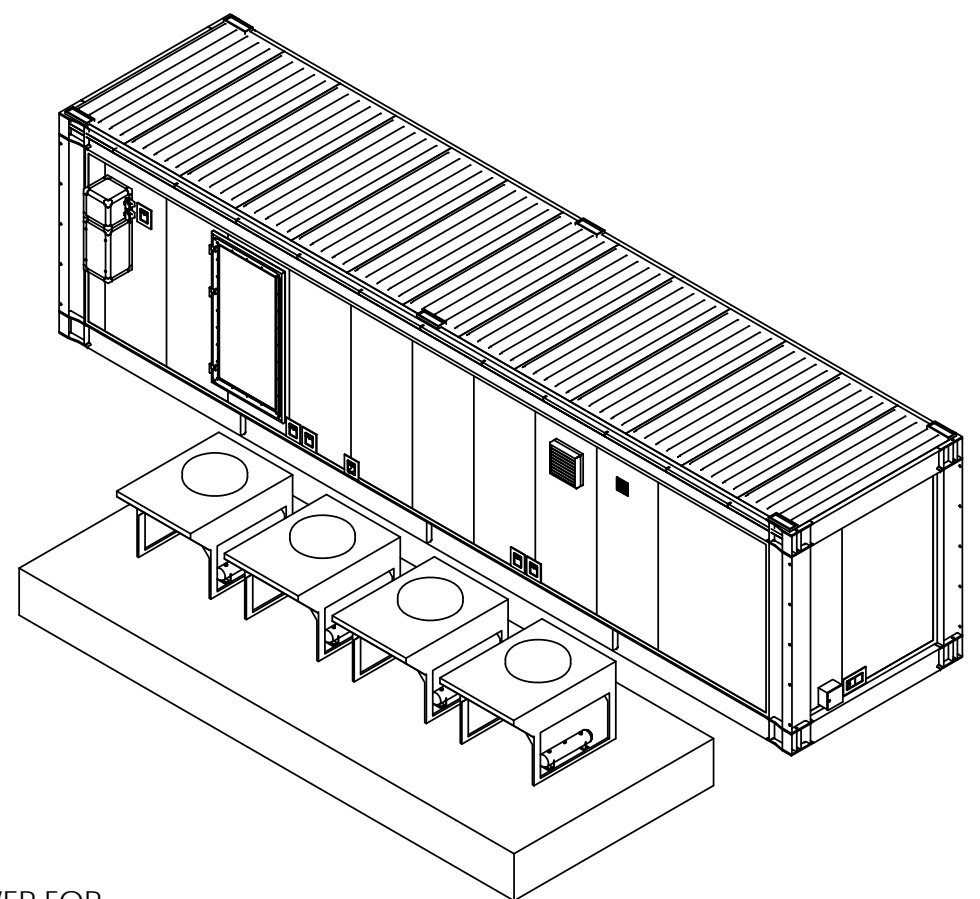
COOLING PIPING & POWER FOR
3RD IN ROW TO 3RD CONDENSER
(FIELD INSTALLED)

IN ROW CONDENSATE DRAIN
(FIELD INSTALLED)

1380
[54.33]

COOLING PIPING & POWER FOR
1ST IN ROW TO 1ST CONDENSER
(FIELD INSTALLED)

COOLING PIPING & POWER FOR
2ND IN ROW TO 2ND CONDENSER
(FIELD INSTALLED)



CONDENSER PIPING & WIRING NOT SHOWN

2

2

3

3

736
[28.98]
HEIGHT TO
IN ROWS

4X CONDENSER
ACCD75207

1350
[53.15]

762
[30.00]
MUST BE GREATER
THAN HEIGHT TO IN ROWS

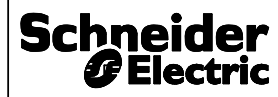
4

4

IN ROW RP HUMIDIFIER WATER LINE
(FIELD INSTALLED)

CONDENSER MOUNTING PAD
(CUSTOMER SUPPLIED)

THIS DRAWING AND SPECIFICATIONS HEREIN ARE THE PROPERTY OF SCHNEIDER ELECTRIC AND SHALL NOT BE COPIED, REPRODUCED OR USED IN WHOLE OR IN PART, AS THE BASIS FOR THE MANUFACTURE OR SALE OF ITEMS WITHOUT WRITTEN PERMISSION FROM SCHNEIDER ELECTRIC. THIS DRAWING IS BASED UPON LATEST AVAILABLE INFORMATION AND IS SUBJECT TO CHANGE WITHOUT NOTICE.



TITLE:
90kW ALL-IN-ONE PRE-FABRICATED IT
MODULE, BUSWAY, EMEA

DWG NO.	PFMIEJ090D1E12B		REV	02
ENGINEER:	K SCHALLER	4/3/2014	SIZE	B
DRAWN:	K SCHALLER	4/3/2014		
APPROVED:	K SCHALLER	4/3/2014		

PROJECT: PRE-FAB SOLUTIONS SHEET 7 OF 7

A B C D E F G H