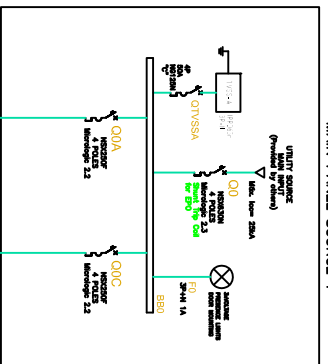
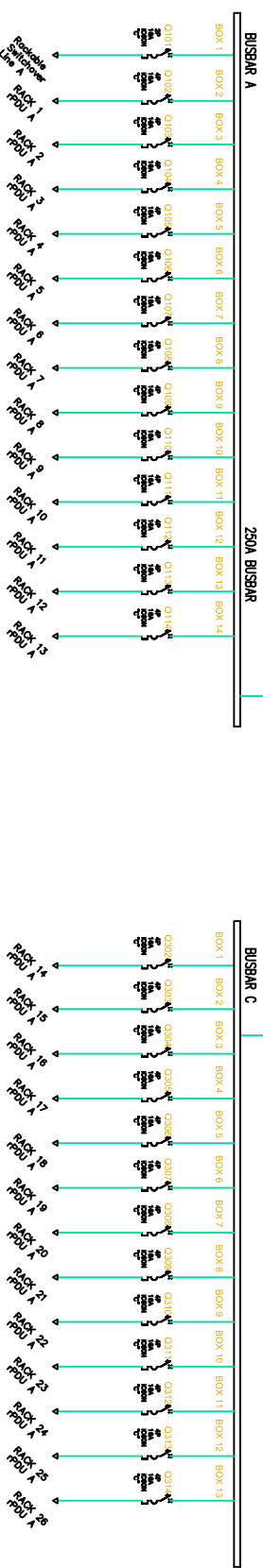


DEVICE RATING					
DEVICE	RATING	TYPE	MAKE	MODEL	ACCESSORIES
00	630A Micro 2.3, 690VAC	SEE NOTE-4	Schneider Electric	MSY630F	SHUNT TRIP COIL
BUSBAR A	250A, 690VAC		Schneider Electric	KS 250A	END FEED & TP OFF
0101 TO 0301 TO 315	440V, 16A	4 & 2 POLE Circuit Breakers	Schneider Electric	ic60N	
Panel Source 1	250A, 630A	Panel Source 1 Wall Mounting Cabinet	Schneider Electric	Primo G	VOLTAGE PRESENCE LIGHTS



-Technical Note:
In case of going with 1 single busway, it must be 630 A rated



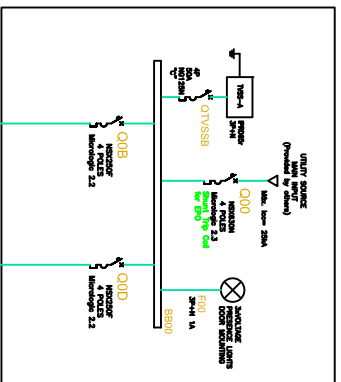
- NOTES:
1. INSTALLATION SHALL COMPLY WITH ALL APPLICABLE LOCAL AND NATIONAL CODES.
 2. PLEASE REFER TO PRODUCT MANUALS FOR ADDITIONAL DETAILS.
 3. DRAWING DEPICTS POWER SYSTEM CONNECTIONS AND IS NOT REPRESENTATIVE OF PHYSICAL LAYOUT. PLEASE REFER TO MECHANICAL DRAWINGS FOR PHYSICAL LAYOUT.
 4. TN-S GROUNDING SYSTEM, 400/230vac. THIS DRAWING IS REPRESENTATIVE FOR NATIONAL CODES IN WHICH IT IS MANDATORY NEUTRAL PROTECTION. (CONTACT SCHNEIDER ELECTRIC IF OTHER). AC SOURCE TO BE 400VAC 3PH 3 WIRE+NEUTRAL+GROUND. (CONTACT SCHNEIDER ELECTRIC IF OTHER). CABLING COLOR CODE: L1= BROWN, L2=BLACK, L3=GREY, N=BLUE, GND=YELLOW/GREEN STRIP.
 5. MAXIMUM AVAILABLE FAULT CURRENT IS 25KAC AT ENTRANCE POINT.
 6. ALL AC POWER CABLING TO BE 1000V RATED.
 7. RACK FRAME AND SKINS ARE ELECTRICALLY CONNECTED AND TIED TO CHASSIS GROUND.
 8. THE GROUNDING ELECTRODE CONDUCTOR IS PROVIDED BY OTHERS.
 9. QUALITY OF ENERGY SUPPLIED BY OTHERS SHALL COMPLY WITH EN-50160 REQUIREMENTS.
 10. STANDARD FOR CABLING CALCULATION REGARDING IEC 364

THIS DRAWING AND SPECIFICATIONS HEREIN ARE THE PROPERTY OF SCHNEIDER ELECTRIC AND SHALL NOT BE COPIED, REPRODUCED OR USED IN WHOLE OR IN PART, AS THE BASIS FOR THE MANUFACTURE OR SALE OF ITEMS WITHOUT WRITTEN PERMISSION FROM SCHNEIDER ELECTRIC. THIS DRAWING IS BASED UPON LATEST AVAILABLE INFORMATION AND IS SUBJECT TO CHANGE WITHOUT NOTICE.

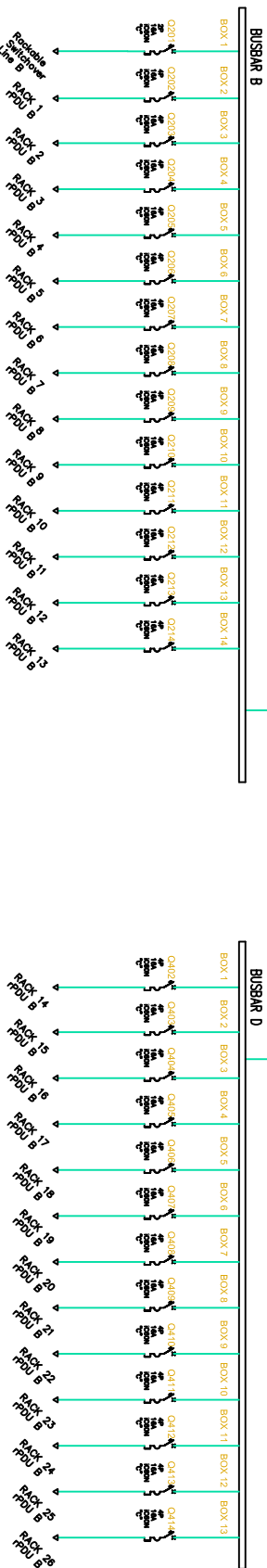


TITLE:		DMG NO:	
MODULAR DATACENTER INFRASTRUCTURE 240W BUSWAY OMB EMEA SCHNEIDER ELECTRIC IT MODULE SYSTEM ONLINE DIAGRAM		PFMIEG240C2E26B	
DRAWN:	D.SANCHEZ	01 OCT 14	ANGLE
ENGINEER:	D. SANCHEZ	01 OCT 14	PROJECTION
APPROVED:	M. UHRMAN	02 OCT 14	N.A.

DEVICE RATING				
DEVICE	RATING	TYPE	MAKE	MODEL
000	630A Micro 2.3, 690Vdc	SEE NOTE-4	Schneider Electric	MSY630F
BUSBAR	250A, 690Vdc		Schneider Electric	MS 250A
Q201-10	440V, 16A	4 & 2 POLE Circuit Breakers	Schneider Electric	ic60N
Q401-10	440V, 16A	4 & 2 POLE Circuit Breakers	Schneider Electric	ic60N
Panel Source 2	251A, 630A	Panel Source 2 Wall Mounting Cabinet	Schneider Electric	Primo 6
				VOLTAGE PRESENCE LIGHTS



-Technical Note:
In case of going with 1 single busway, it must be 630 A rated



- NOTES:
1. INSTALLATION SHALL COMPLY WITH ALL APPLICABLE LOCAL AND NATIONAL CODES.
 2. PLEASE REFER TO PRODUCT MANUALS FOR ADDITIONAL DETAILS.
 3. DRAWING DEPICTS POWER SYSTEM CONNECTIONS AND IS NOT REPRESENTATIVE OF PHYSICAL LAYOUT. PLEASE REFER TO MECHANICAL DRAWINGS FOR PHYSICAL LAYOUT.
 4. TN-S GROUNDING SYSTEM, 400/230Vac. THIS DRAWING IS REPRESENTATIVE FOR NATIONAL CODES IN WHICH IT IS MANDATORY NEUTRAL PROTECTION. (CONTACT SCHNEIDER ELECTRIC IF OTHER). AC SOURCE TO BE 400VAC 3PH 3 WIRE+NEUTRAL+GROUND. (CONTACT SCHNEIDER ELECTRIC IF OTHER). CABLING COLOR CODE: L1= BROWN, L2=BLACK, L3=GREY, N=BLUE, GND=YELLOW/GREEN STRIP
 5. MAXIMUM AVAILABLE FAULT CURRENT IS 25KAC AT ENTRANCE POINT.
 6. ALL AC POWER CABLING TO BE 1000V RATED.
 7. RACK FRAME AND SKINS ARE ELECTRICALLY CONNECTED AND TIED TO CHASSIS GROUND.
 8. THE GROUNDING ELECTRODE CONDUCTOR IS PROVIDED BY OTHERS.
 9. QUALITY OF ENERGY SUPPLIED BY OTHERS SHALL COMPLY WITH EN-50160 REQUIREMENTS.
 10. STANDARD FOR CABLING CALCULATION REGARDING IEC 364

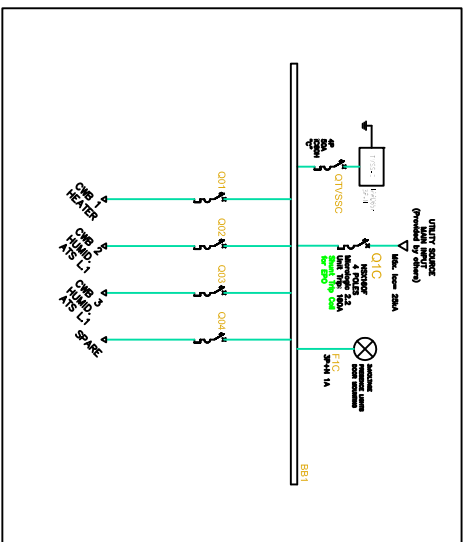
THIS DRAWING AND SPECIFICATIONS HEREIN ARE THE PROPERTY OF SCHNEIDER ELECTRIC AND SHALL NOT BE COPIED, REPRODUCED OR USED IN WHOLE OR IN PART, AS THE BASIS FOR THE MANUFACTURE OR SALE OF ITEMS WITHOUT WRITTEN PERMISSION FROM SCHNEIDER ELECTRIC. THIS DRAWING IS BASED UPON LATEST AVAILABLE INFORMATION AND IS SUBJECT TO CHANGE WITHOUT NOTICE.



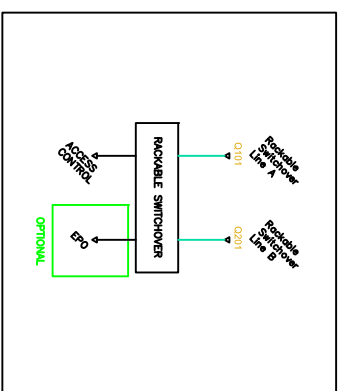
TITLE:	MODULAR DATACENTER INFRASTRUCTURE 240kW BUSWAY CMB EMEA SCHNEIDER ONLINE DIAGRAM	DWG NO:	PFMIEG240C2E26B	REV:	1
PROJECT:	240kW CMB BUSWAY EMEA	DRAWN:	D.SANCHEZ	01 OCT 14	ANGLE
SHEET:	2 OF 3	ENGINEER:	D. SANCHEZ	01 OCT 14	PROJECTION
		APPROVED:	M. UHRMAN	02 OCT 14	N.A.

DEVICE RATING					
DEVICE	RATING	TYPE	MAKE	MODEL	ACCESSORIES
01	100A Micro 2.2 Trip unit 40A 690VAC	SEE NOTE-4	Schneider Electric	NSX100F	SHUNT TRIP COIL
001 TO 07	140V, 16A	2 POLE Circuit Breakers	Schneider Electric	IC60N	
RCB1 & RCB2	400V, 40A 30mA	2 Pole RCB	Schneider Electric	ID	
Non Critical Panel	250A, 630A	PRISMA G Wall Mounting Contact	Schneider Electric	Prisma G	VOLTAGE PRESENCE LIGHTS

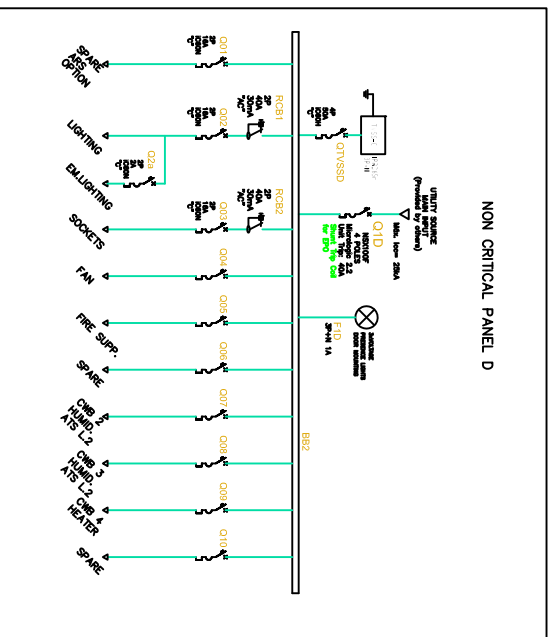
NON CRITICAL PANEL C



RACK 1



NON CRITICAL PANEL D



- NOTES:
1. INSTALLATION SHALL COMPLY WITH ALL APPLICABLE LOCAL AND NATIONAL CODES.
 2. PLEASE REFER TO PRODUCT MANUALS FOR ADDITIONAL DETAILS.
 3. DRAWING DEPICTS POWER SYSTEM CONNECTIONS AND IS NOT REPRESENTATIVE OF PHYSICAL LAYOUT. PLEASE REFER TO MECHANICAL DRAWINGS FOR PHYSICAL LAYOUT.
 4. TN-S GROUNDING SYSTEM, 400/230Voc. THIS DRAWING IS REPRESENTATIVE FOR NATIONAL CODES IN WHICH IT IS MANDATORY NEUTRAL PROTECTION. (CONTACT SCHNEIDER ELECTRIC IF OTHER).
 5. AC SOURCE TO BE 400VAC 3PH, 3 WIRE+NEUTRAL+GROUND. (CONTACT SCHNEIDER ELECTRIC IF OTHER). CABLEING COLOUR CODE: L1= BROWN, L2=BLACK, L3=GREY, N=BLUE, GND=YELLOW/GREEN STRIP
 6. ALL AC POWER CABLEING TO BE 1000V RATED
 7. RACK FRAME AND SKINS ARE ELECTRICALLY CONNECTED AND TIED TO CHASSIS GROUND
 8. THE GROUNDING ELECTRODE CONDUCTOR IS PROVIDED BY OTHERS.
 9. QUALITY OF ENERGY SUPPLIED BY OTHERS SHALL COMPLY WITH EN-50160 REQUIREMENTS.
 10. STANDARD FOR CABLEING CALCULATION REGARDING IEC 364

THIS DRAWING AND SPECIFICATIONS HERIN ARE THE PROPERTY OF SCHNEIDER ELECTRIC AND SHALL NOT BE COPIED, REPRODUCED OR USED IN WHOLE OR IN PART, AS THE BASIS FOR THE MANUFACTURE OR SALE OF ITEMS WITHOUT WRITTEN PERMISSION FROM SCHNEIDER ELECTRIC. THIS DRAWING IS BASED UPON LATEST AVAILABLE INFORMATION AND IS SUBJECT TO CHANGE WITHOUT NOTICE.



TITLE: MODULAR DATACENTER INFRASTRUCTURE 240W BUSWAY OMB EMEA SCHNEIDER ELECTRIC IT MODULE SYSTEM ONELINE DIAGRAM

PROJECT: 240W OMB BUSWAY EMEA SHEET 3 OF 3

DWG NO: PFMIEG240CCE26B

DRAWN: D.SANCHEZ 01 OCT 14

ENGINEER: D. SANCHEZ 01 OCT 14

APPROVED: M. UHRMAN 02 OCT 14

REV: 1

ANGLE PROJECTION N.A.