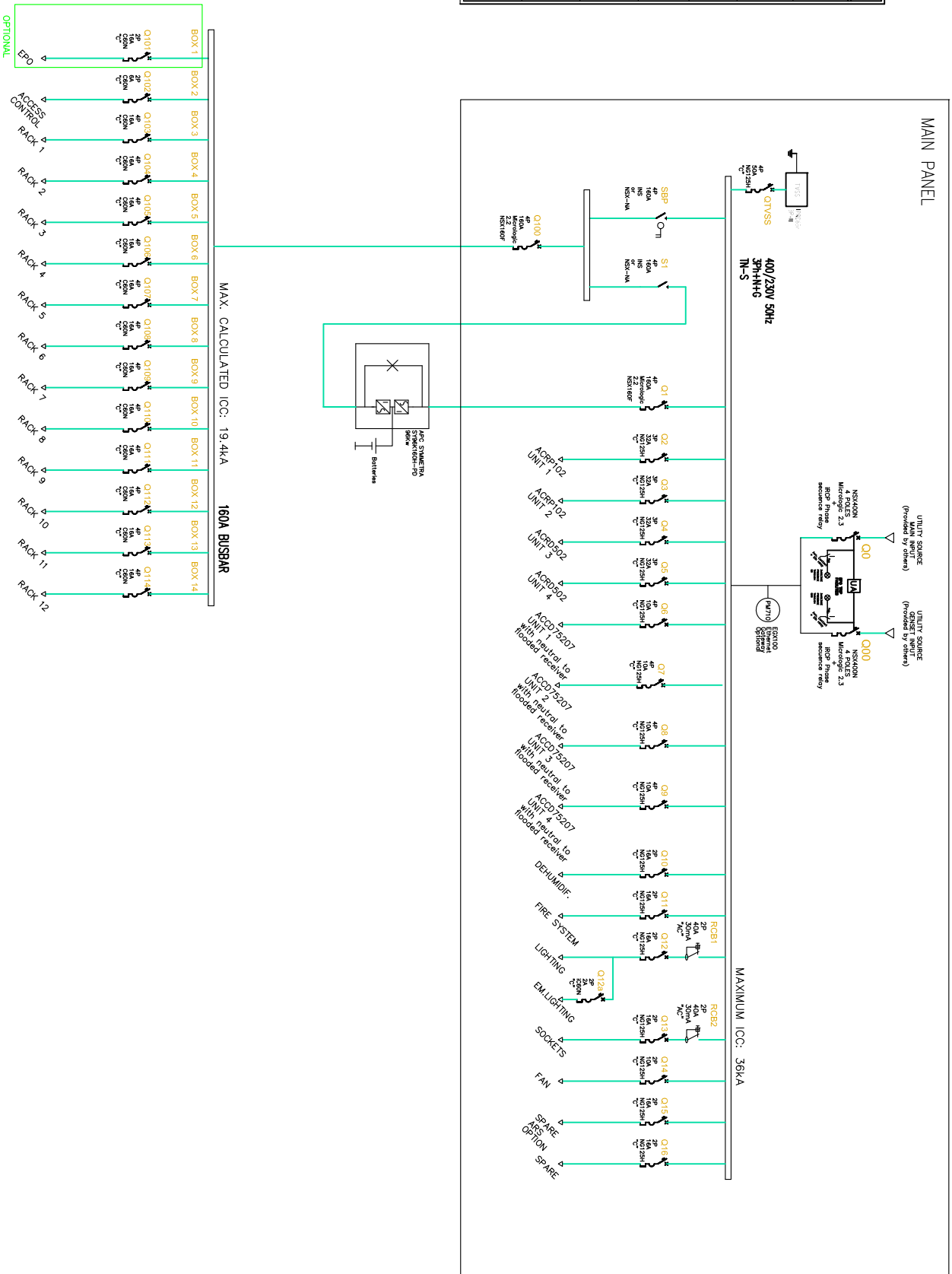


LEGEND:

COMPONENT	DESCRIPTION
	CIRCUIT BREAKER
	SIGNAL LAMP
	FUSE
	RESIDUAL CURRENT BREAKER
	SWITCH/DECONNECTOR
	CONTROL
	SURGE PROTECTIVE DEVICE



THIS DRAWING AND SPECIFICATIONS HEREBY ARE THE PROPERTY OF SCHNEIDER ELECTRIC AND SHALL NOT BE COPIED, REPRODUCED OR USED IN WHOLE OR IN PART AS THE BASIS FOR THE MANUFACTURE OR SALE OF ITEMS WITHOUT WRITTEN PERMISSION FROM SCHNEIDER ELECTRIC. THIS DRAWING IS BASED UPON LATEST AVAILABLE INFORMATION AND IS SUBJECT TO CHANGE WITHOUT NOTICE.



TITLE:	MODULAR DATACENTER INFRASTRUCTURE 90KW ALL-IN-ONE BUSWAY EMEA SCHNEIDER ELECTRIC IT MODULE SYSTEM ONE LINE DIAGRAM	PROJECT: 90KW AIO BW EMEA	SHEET 1 OF 1
DMG NO:	PFMIEJ090D1E12B	REV:	1
DRAWN:	D. SANCHEZ	08 JUL 14	ANGLE
ENGINEER:	D. SANCHEZ	08 JUL 14	PROJECTION
APPROVED:	M. UHRMAN	17 JUL 14	N.A.

SHT	DRAWING NUMBER	REVISION									REVISION DESCRIPTION	REVISION INITIATED BY (Eco/Engr)	REVISION APPROVED BY	
		1	2	3	4	5	6	7	8	9				
1	PFMEJ090D1E12B	1										RELEASE	M. UHRHAN	M. UHRHAN

NOTE:

Δ FOR PREVIOUS REVISIONS,
CONTACT CAD TEAM.

FILE: PFMEJ090D1E12B	INITIALLY DRAWN BY: D. SANCHEZ	LAST FILE REV: 0
INITIAL RELEASE: 17 JUL 2014	INITIALLY APPROVED BY: M. UHRHAN	DATE: 17 JUL 2014

Δ