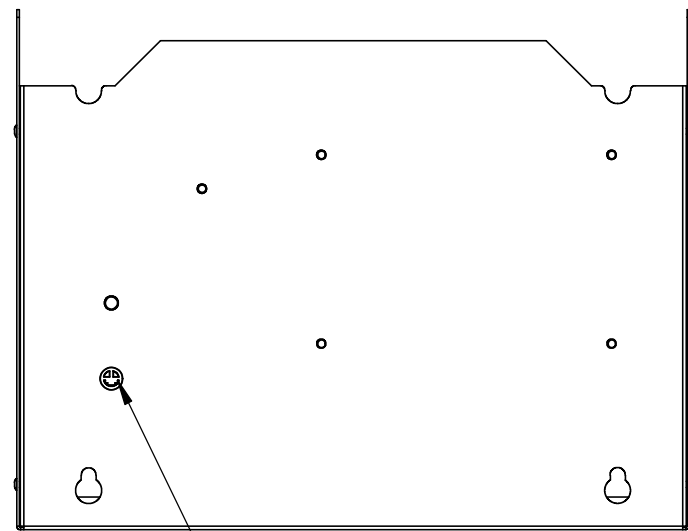
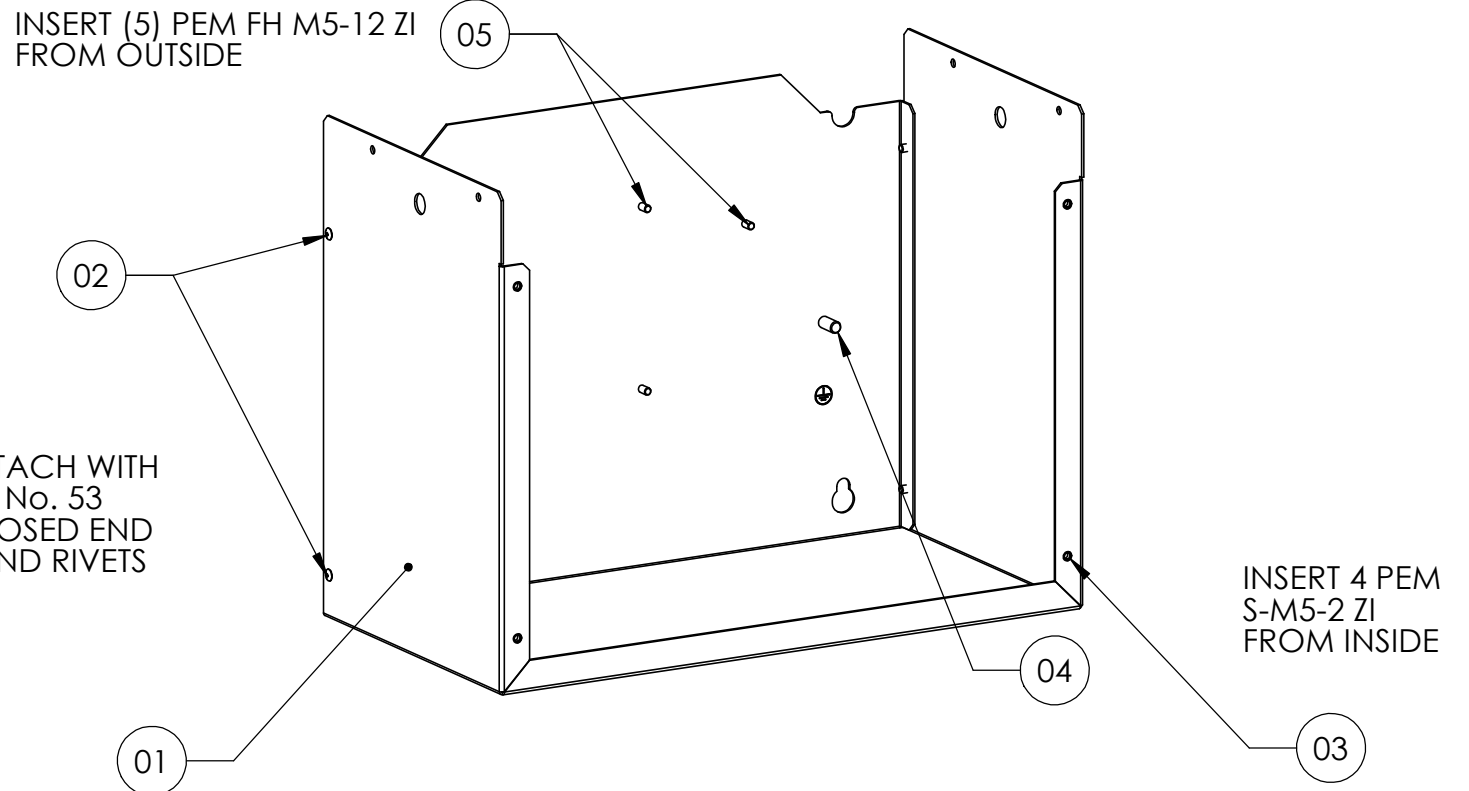
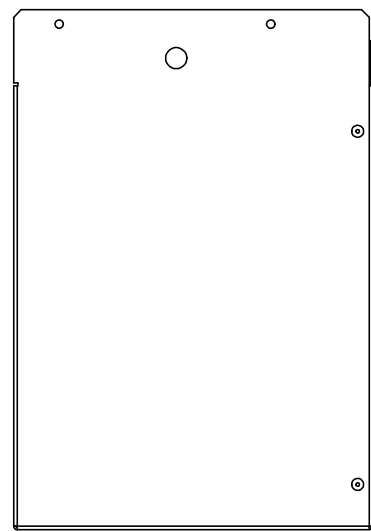
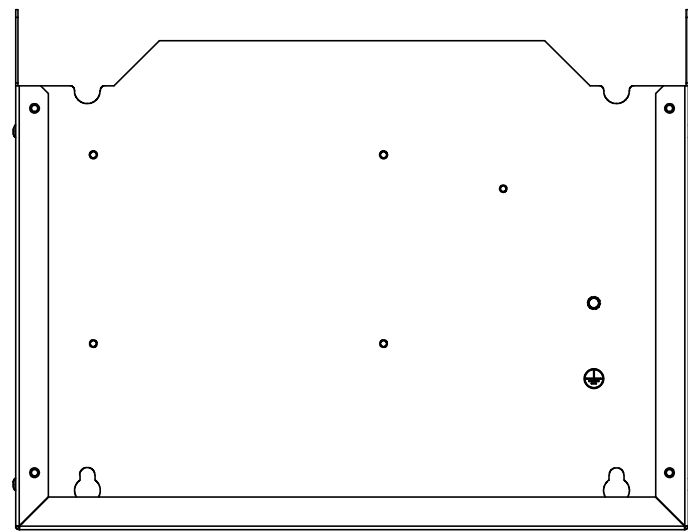
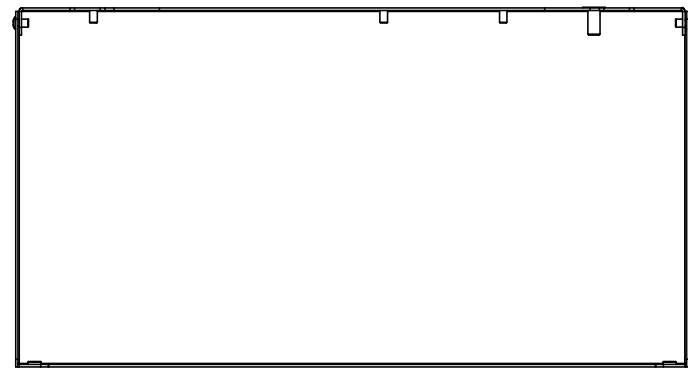


	Scale: N/A	Tolerancing Standard: ISO8015	Units of Measure: mm
	PCSN CHASSIS TERMINAL KIT <i>PCSN CHASSIS TERMINAL KIT</i>		
	Number: MFR7169501	Revision: 00	Sheet: 1 OF 1
<small>All information and data contained in this document are the exclusive property of Schneider Electric Industries SAS and may neither be used nor disclosed without its prior written consent.</small>		State:	

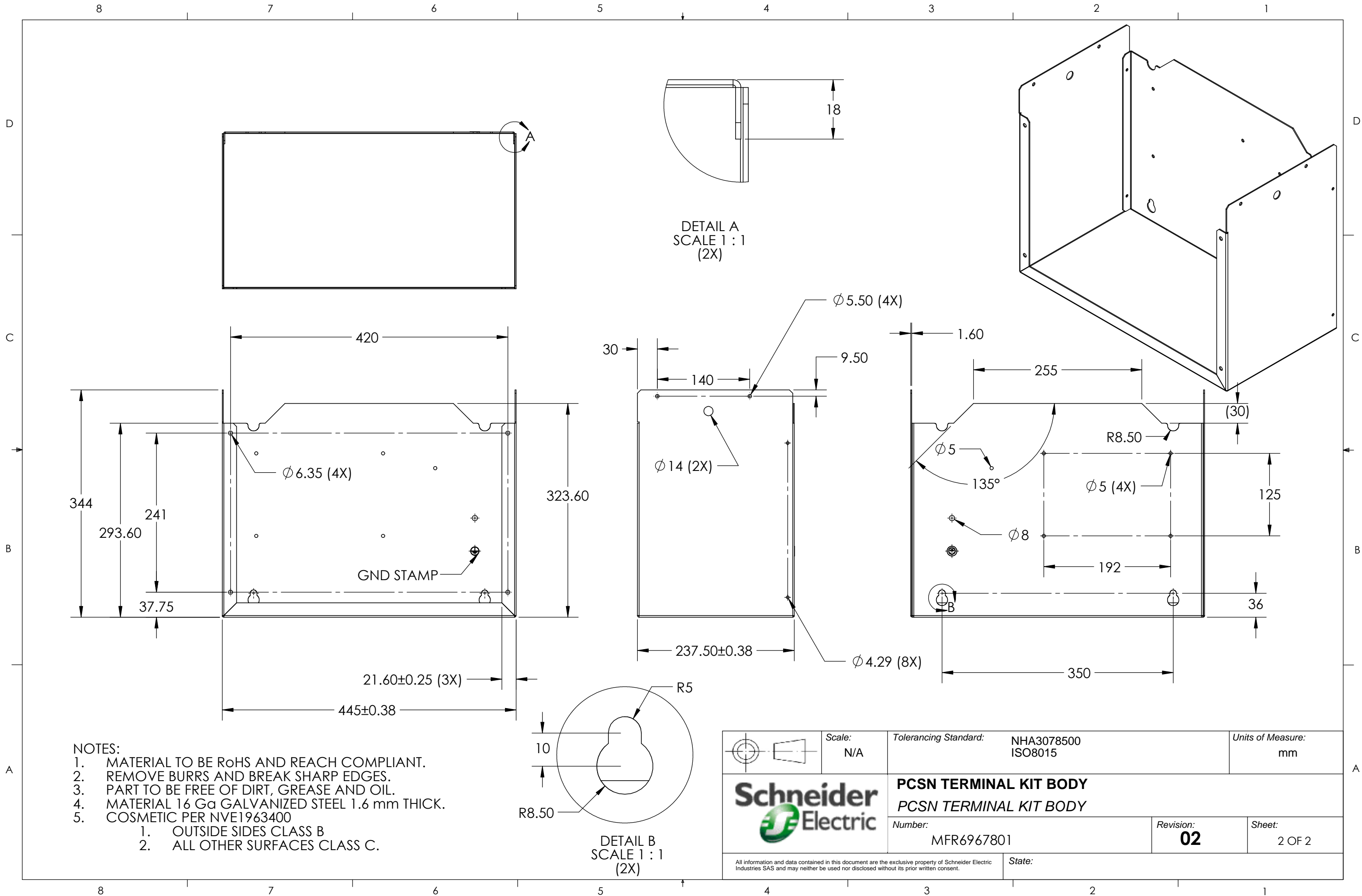
ITEM NO.	PART NUMBER	DESCRIPTION	VENDOIR	QTY
01	MFR69678	PCSN TERMINAL KIT HOUSING	SEE SHEET 2	1
02		No. 53 Closed End Blind Rivet		4
03	PEM M5-2 ZI	SELF CLINCHING NUT M5	PENN ENGINEERING	4
04	PEM FH-M8-18 ZI	SELF CLINCHING STUD M8 X 18	PENN ENGINEERING	1
05	PEM FH-M5-10 ZI	SELF CLINCHING STUD M5 X 10	PENN ENGINEERING	5



INSERT PEM FH-M8-18 ZI FROM OUTSIDE

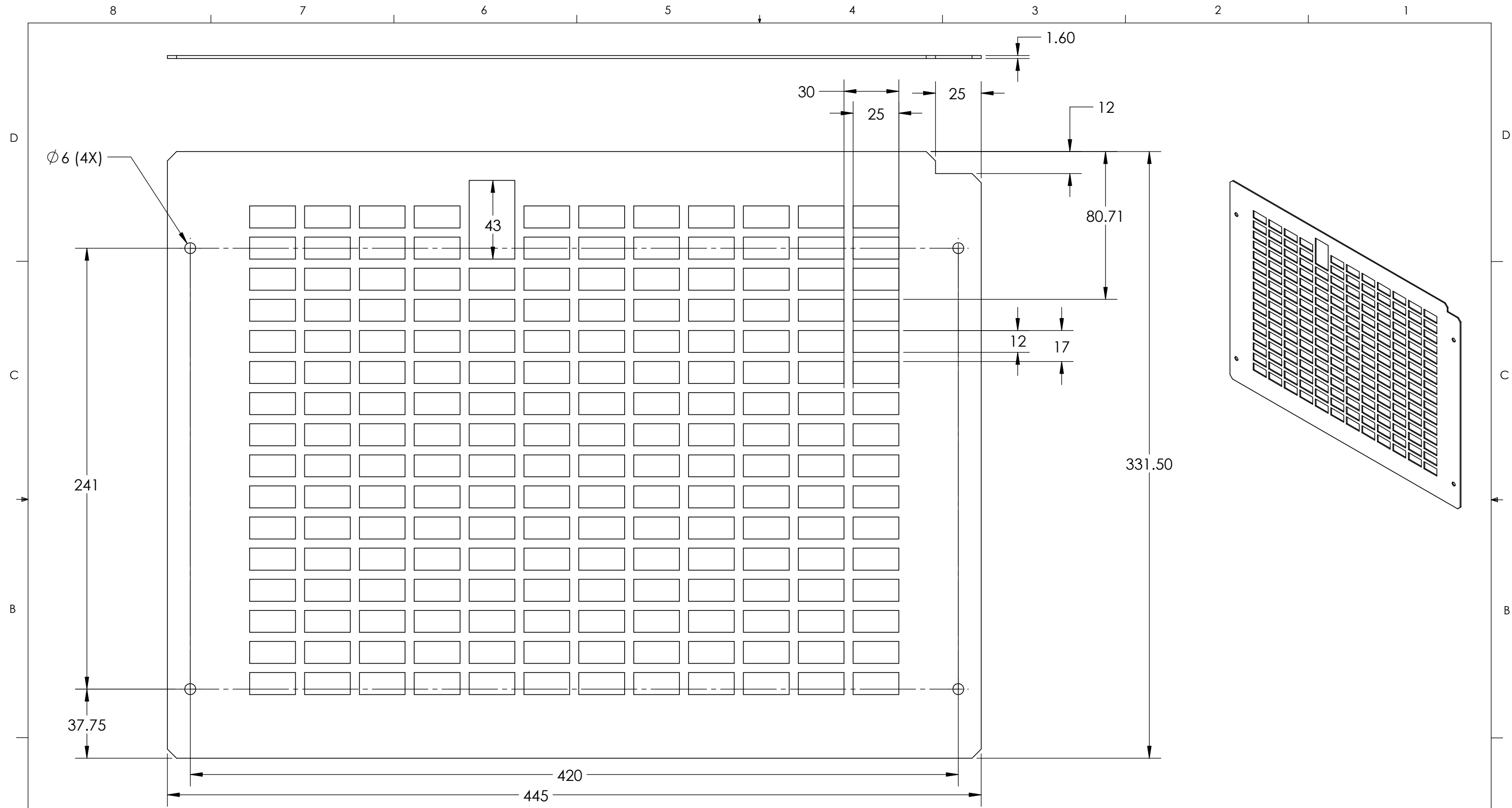
	PCSN TERMINAL KIT BODY PCSN TERMINAL KIT BODY	Scale: N/A Tolerancing Standard: NHA3078500 ISO8015 Units of Measure: mm
	Number: MFR6967801 Revision: 02 Sheet: 1 OF 2	State:

All information and data contained in this document are the exclusive property of Schneider Electric Industries SAS and may neither be used nor disclosed without its prior written consent.



- NOTES:
1. MATERIAL TO BE RoHS AND REACH COMPLIANT.
 2. REMOVE BURRS AND BREAK SHARP EDGES.
 3. PART TO BE FREE OF DIRT, GREASE AND OIL.
 4. MATERIAL 16 Gd GALVANIZED STEEL 1.6 mm THICK.
 5. COSMETIC PER NVE1963400
 1. OUTSIDE SIDES CLASS B
 2. ALL OTHER SURFACES CLASS C.

	Scale: N/A	Tolerancing Standard: NHA3078500 ISO8015	Units of Measure: mm
	PCSN TERMINAL KIT BODY PCSN TERMINAL KIT BODY		
Number: MFR6967801		Revision: 02	Sheet: 2 OF 2
<small>All information and data contained in this document are the exclusive property of Schneider Electric Industries SAS and may neither be used nor disclosed without its prior written consent.</small>		State:	



- NOTES:
1. MATERIAL TO BE RoHS AND REACH COMPLIANT.
 2. REMOVE BURRS AND BREAK SHARP EDGES.
 3. PART TO BE FREE OF DIRT, GREASE AND OIL.
 4. MATERIAL 16 Ga MILD STEEL 1.6 mm THICK.
 5. COSMETIC CLASS A PER NVE1963400.
 6. POWDER COAT PER HRB8214000

	Scale: N/A	Tolerancing Standard: NHA3078500 ISO8015	Units of Measure: mm
	PCSN TERMINAL KIT INLET GRILLE PCSN TERMINAL KIT INLET GRILLE		
Number: MFR6968501		Revision: 02	Sheet: 1 OF 1
<small>All information and data contained in this document are the exclusive property of Schneider Electric Industries SAS and may neither be used nor disclosed without its prior written consent.</small>		State:	