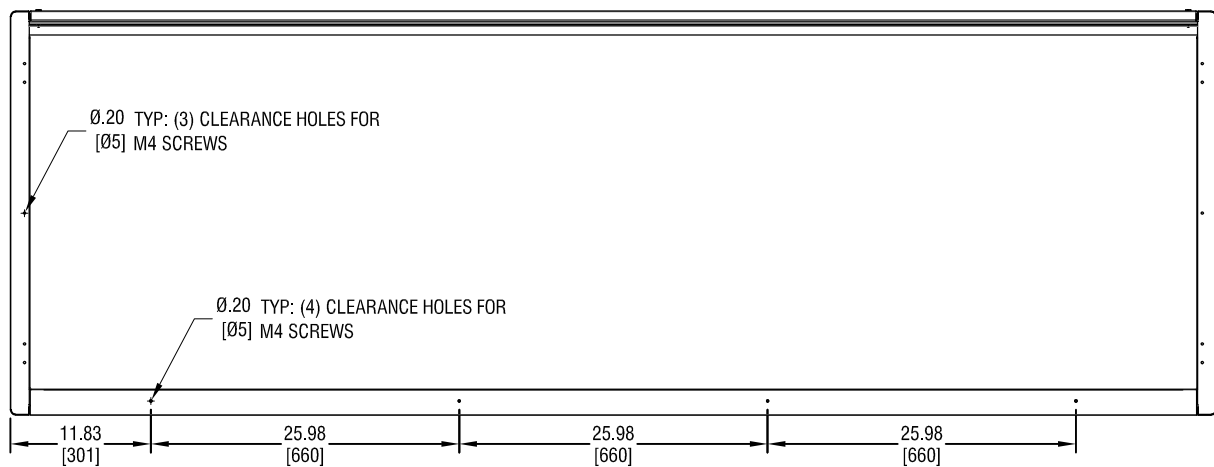


TOP VIEW



BOTTOM VIEW

12" STACKABLE PLENUMS, FRAME 7 SKUs			
SKU	COLOR	PLENUM WEIGHT	
		LBS	KG
ACPL75166	UNIFLAIR BLUE	79.36	36
ACPL75167	SCHNEIDER WHITE		
ACPL75168	DATA CENTER GRAY		
ACPL75169	RAVEN BLACK		

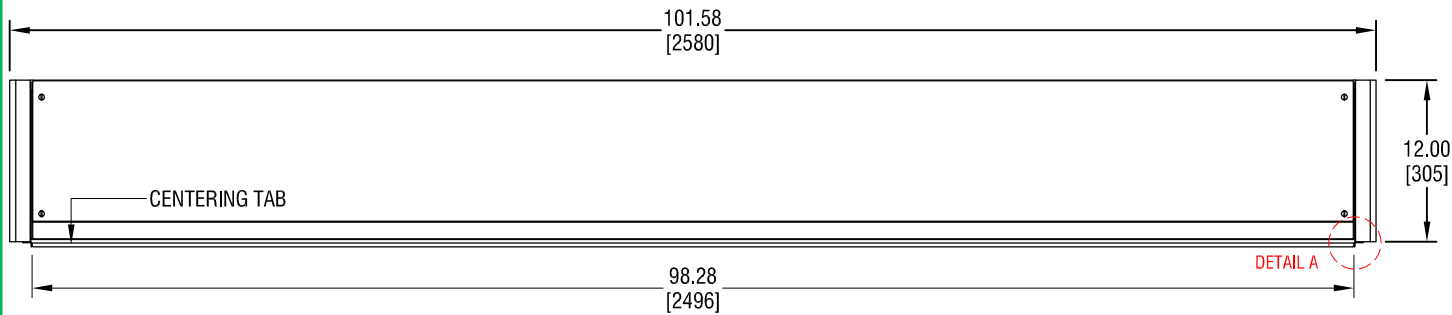
NOTES:

1. INSTALLATION SHALL COMPLY WITH ALL APPLICABLE NATIONAL AND LOCAL CODES.
2. SEE PRODUCT DOCUMENTATION FOR ADDITIONAL INFORMATION.
3. UNLESS OTHERWISE SPECIFIED, ALL DIMENSIONS ARE IN INCHES [MILLIMETERS].
- △ 4. MOUNTING HOLES MAY BE USED FOR SECURING PLENUM TO UNIT AND ANY DUCTWORK.
5. UP TO FOUR (4) PLENUMS MAY BE STACKED TOGETHER ON THE COOLING UNIT.
6. IF GRAVITY OR MOTORIZED DAMPERS ARE USED, THEY SHALL BE MOUNTED ON THE TOP OF THE LAST PLENUM USED DUE TO THE CENTERING TAB OF THE STACKABLE PLENUM. ANY ADDITIONAL WIRING LENGTH SHALL BE FIELD SUPPLIED.

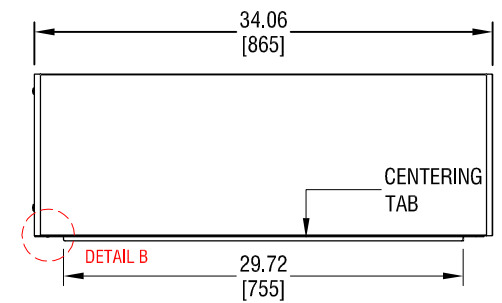
THIS DRAWING AND SPECIFICATIONS HEREIN ARE THE PROPERTY OF SCHNEIDER ELECTRIC AND SHALL NOT BE COPIED, REPRODUCED OR USED IN WHOLE OR IN PART, AS THE BASIS FOR THE MANUFACTURE OR SALE OF ITEMS WITHOUT WRITTEN PERMISSION FROM SCHNEIDER ELECTRIC. THIS DRAWING IS BASED UPON LATEST AVAILABLE INFORMATION AND IS SUBJECT TO CHANGE WITHOUT NOTICE.



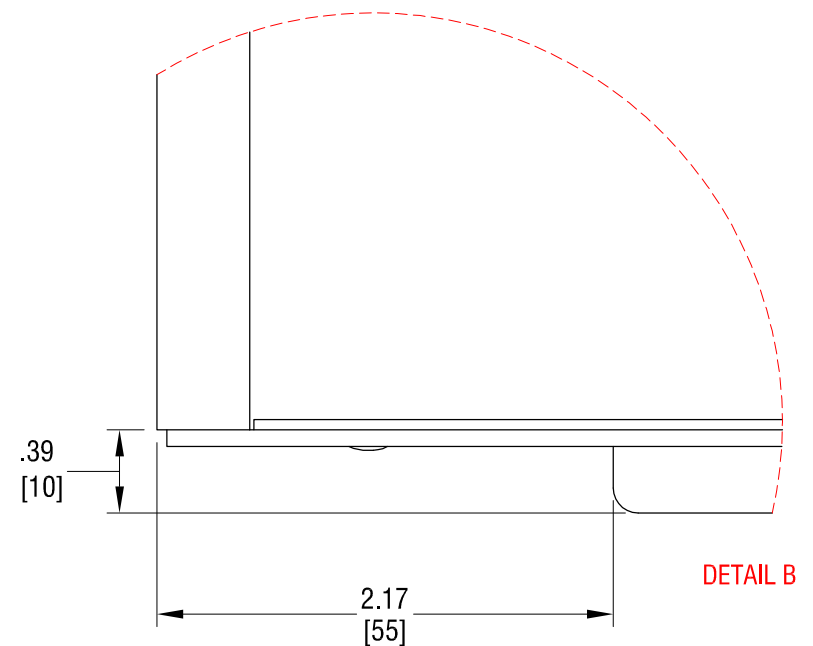
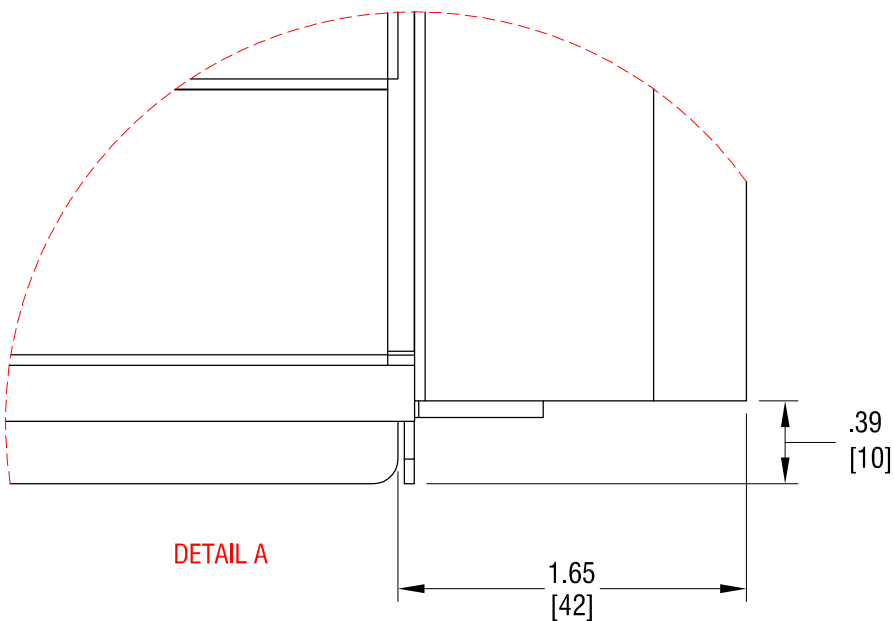
TITLE:	UNIFLAIR 12" STACKABLE PLENUMS FRAME 7 TOP & BOTTOM VIEWS		DWG NO:	ACPL751XXFR7S	REV:	0
DRAWN BY:	M CRAVEN	18-JUN-14	ENGINEER:	T PRICOLO/K BAER	18-JUN-14	3RD ANGLE PROJ
PROJECT:	DRAWINGS	SHEET 1 OF 3	APPROVED BY:	C CUMMSKY	18-JUN-14	



FRONT VIEW



SIDE VIEW



NOTES:

1. INSTALLATION SHALL COMPLY WITH ALL APPLICABLE NATIONAL AND LOCAL CODES.
2. SEE PRODUCT DOCUMENTATION FOR ADDITIONAL INFORMATION.
3. UNLESS OTHERWISE SPECIFIED, ALL DIMENSIONS ARE IN INCHES [MILLIMETERS].

THIS DRAWING AND SPECIFICATIONS HEREIN ARE THE PROPERTY OF SCHNEIDER ELECTRIC AND SHALL NOT BE COPIED, REPRODUCED OR USED IN WHOLE OR IN PART, AS THE BASIS FOR THE MANUFACTURE OR SALE OF ITEMS WITHOUT WRITTEN PERMISSION FROM SCHNEIDER ELECTRIC. THIS DRAWING IS BASED UPON LATEST AVAILABLE INFORMATION AND IS SUBJECT TO CHANGE WITHOUT NOTICE.



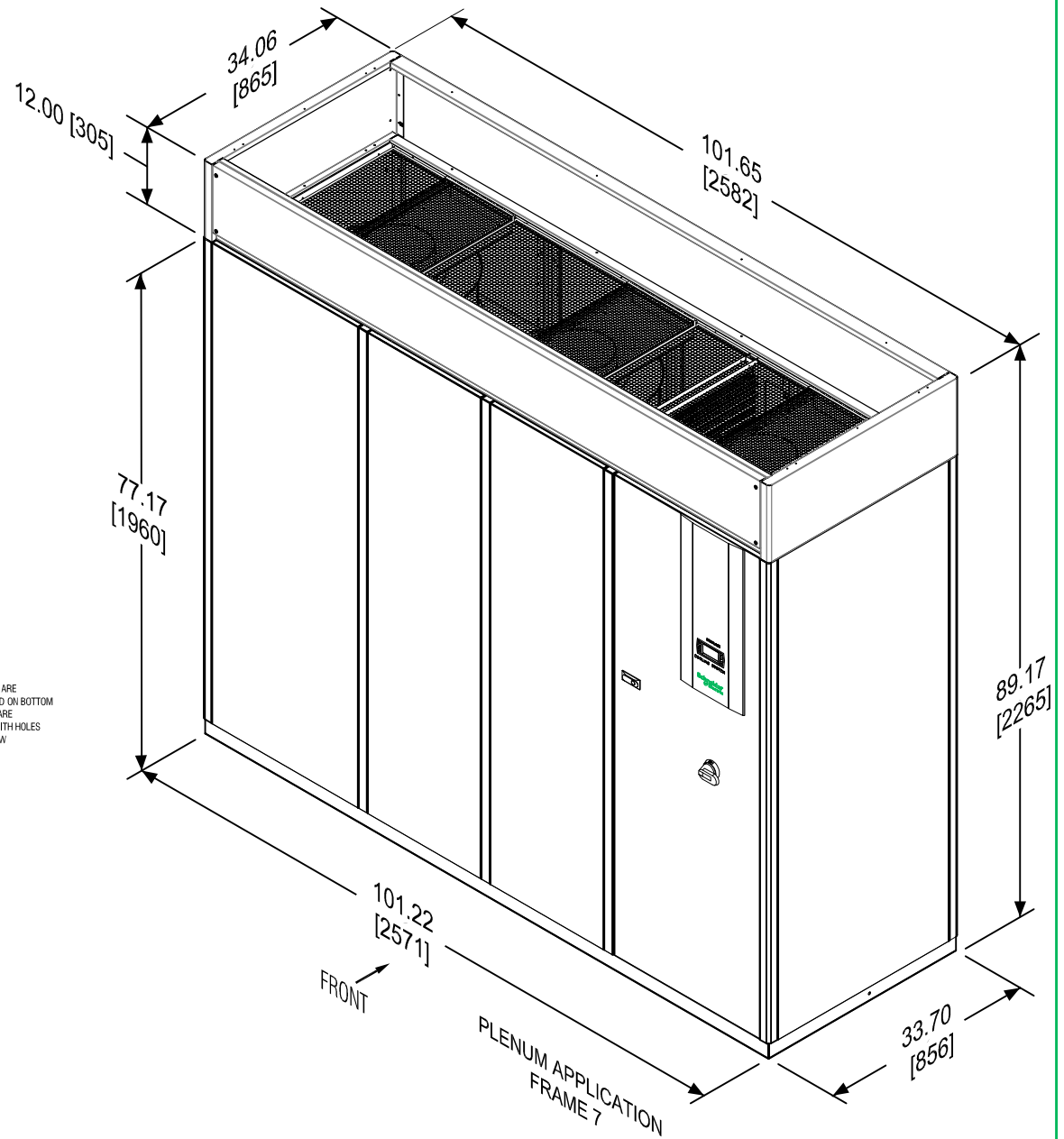
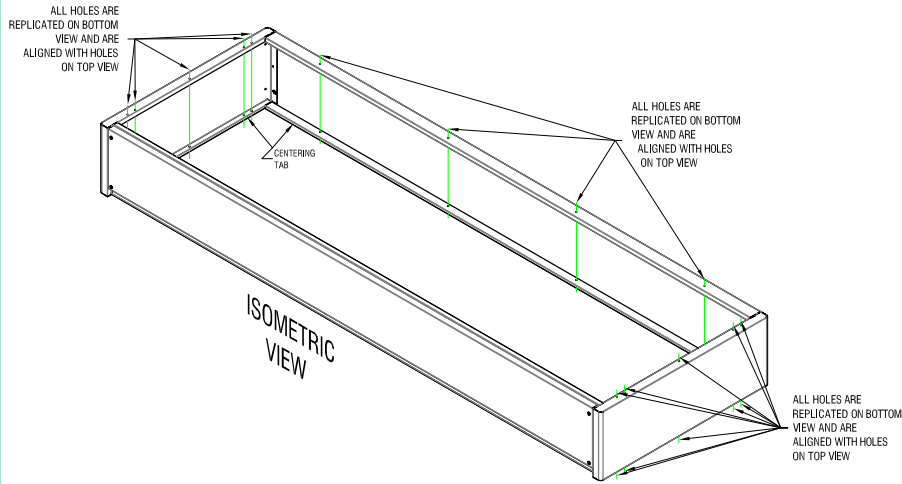
TITLE: UNIFLAIR
12" STACKABLE PLENUMS
FRAME 7
FRONT & SIDE VIEWS w/ DETAILS

PROJECT: DRAWINGS SHEET 2 OF 3

DWG NO: ACPL751XXFR7S

DRAWN BY: M CRAVEN	18-JUN-14	3RD ANGLE PROJ
ENGINEER: T PRICOLA/K BAER	18-JUN-14	
APPROVED BY: C CUMMISKY	18-JUN-14	

REV: 0



ITEM	INCHES	MILLIMETERS
COOLING UNIT BASE HEIGHT	77.17	1960
WITH (1) ONE PLENUM	89.17	2265
WITH (2) TWO PLENUMS	101.17	2570
WITH (3) THREE PLENUMS	113.17	2875
WITH (4) FOUR PLENUMS	125.17	3180

NOTES:

1. INSTALLATION SHALL COMPLY WITH ALL APPLICABLE NATIONAL AND LOCAL CODES.

THIS DRAWING AND SPECIFICATIONS HEREIN ARE THE PROPERTY OF SCHNEIDER ELECTRIC AND SHALL NOT BE COPIED, REPRODUCED OR USED IN WHOLE OR IN PART, AS THE BASIS FOR THE MANUFACTURE OR SALE OF ITEMS WITHOUT WRITTEN PERMISSION FROM SCHNEIDER ELECTRIC. THIS DRAWING IS BASED UPON LATEST AVAILABLE INFORMATION AND IS SUBJECT TO CHANGE WITHOUT NOTICE.



TITLE: UNIFLAIR
12" STACKABLE PLENUMS
FRAME 7
PLENUM APPLICATION & ISOMETRIC VIEWS

PROJECT: DRAWINGS SHEET 3 OF 3

DWG NO: ACPL751XXFR7S

DRAWN BY: M CRAVEN 18-JUN-14
ENGINEER: T PRICOLO/K BAER 18-JUN-14
APPROVED BY: C CUMMISKY 18-JUN-14

REV. 0
3RD ANGLE PROJ