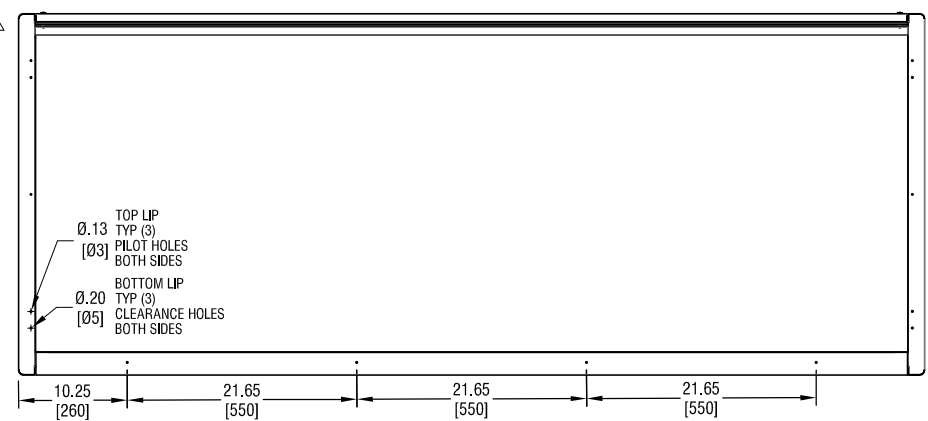


TOP VIEW



BOTTOM VIEW

NOTES:

1. INSTALLATION SHALL COMPLY WITH ALL APPLICABLE NATIONAL AND LOCAL CODES.
2. SEE PRODUCT DOCUMENTATION FOR ADDITIONAL INFORMATION.
3. UNLESS OTHERWISE SPECIFIED, ALL DIMENSIONS ARE IN INCHES [MILLIMETERS].
- △ 4. MOUNTING HOLES MAY BE USED FOR SECURING PLENUM TO UNIT AND ANY DUCTWORK.
5. UP TO FOUR (4) PLENUMS MAY BE STACKED TOGETHER ON THE COOLING UNIT.
6. IF GRAVITY OR MOTORIZED DAMPERS ARE USED, THEY SHALL BE MOUNTED ON THE TOP OF THE LAST PLENUM USED DUE TO THE CENTERING TAB OF THE STACKABLE PLENUM. ANY ADDITIONAL WIRING LENGTH SHALL BE FIELD SUPPLIED.

12" STACKABLE PLENUMS, FRAME 6 SKUs			
SKU	COLOR	PLENUM WEIGHT	
		LBS	KG
ACPL75162	UNIFLAIR BLUE	70.54	32
ACPL75163	SCHNEIDER WHITE		
ACPL75164	DATA CENTER GRAY		
ACPL75165	RAVEN BLACK		

THIS DRAWING AND SPECIFICATIONS HEREIN ARE THE PROPERTY OF SCHNEIDER ELECTRIC AND SHALL NOT BE COPIED, REPRODUCED OR USED IN WHOLE OR IN PART, AS THE BASIS FOR THE MANUFACTURE OR SALE OF ITEMS WITHOUT WRITTEN PERMISSION FROM SCHNEIDER ELECTRIC. THIS DRAWING IS BASED UPON LATEST AVAILABLE INFORMATION AND IS SUBJECT TO CHANGE WITHOUT NOTICE.



TITLE: UNIFLAIR
12" STACKABLE PLENUMS
FRAME 6
TOP AND BOTTOM VIEWS

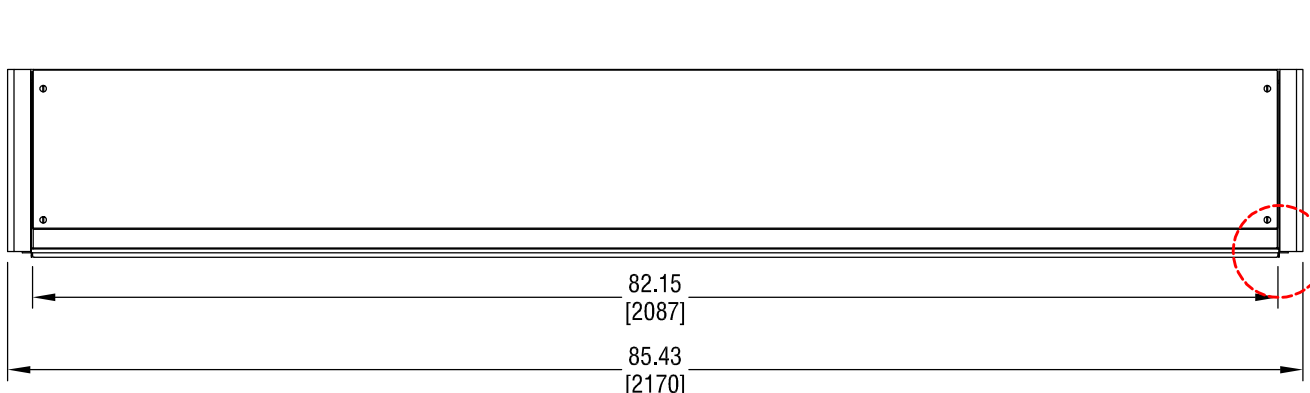
PROJECT: DRAWINGS SHEET 1 OF 3

DWG NO: ACPL751XXFR6S

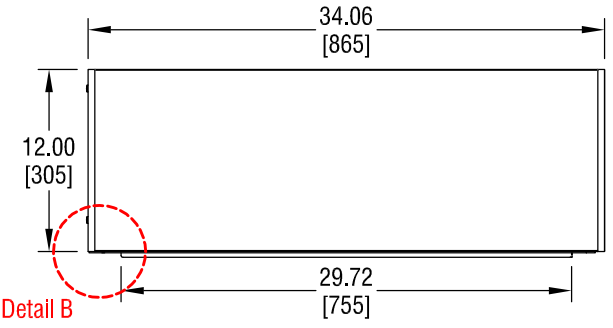
DRAWN BY: M CRAVEN	17-JUN-14
ENGINEER: T PRICOLO/K BAER	17-JUN-14
APPROVED BY: C CUMMISKY	17-JUN-14

REV: 0

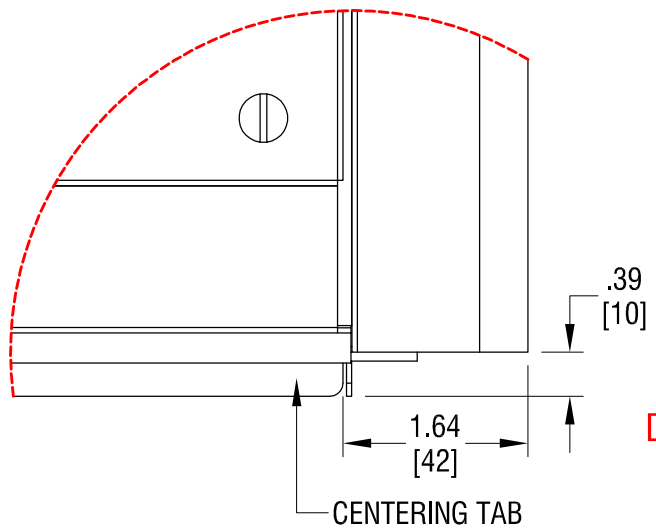
3RD ANGLE PROJ



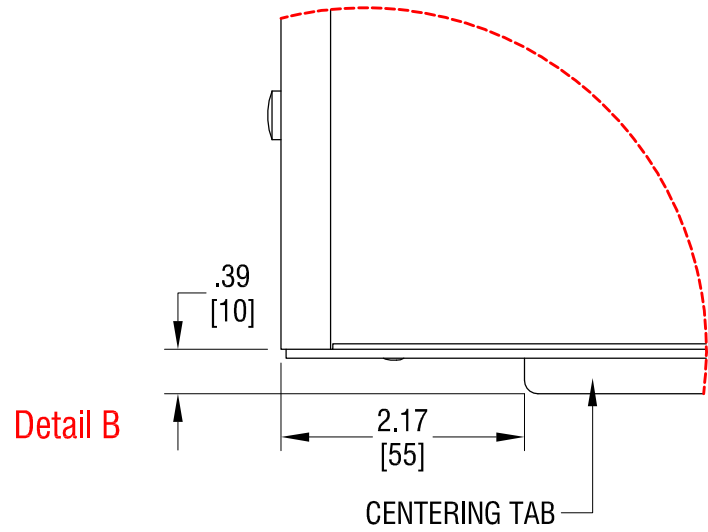
FRONT VIEW



SIDE VIEW



Detail A



Detail B

NOTES:

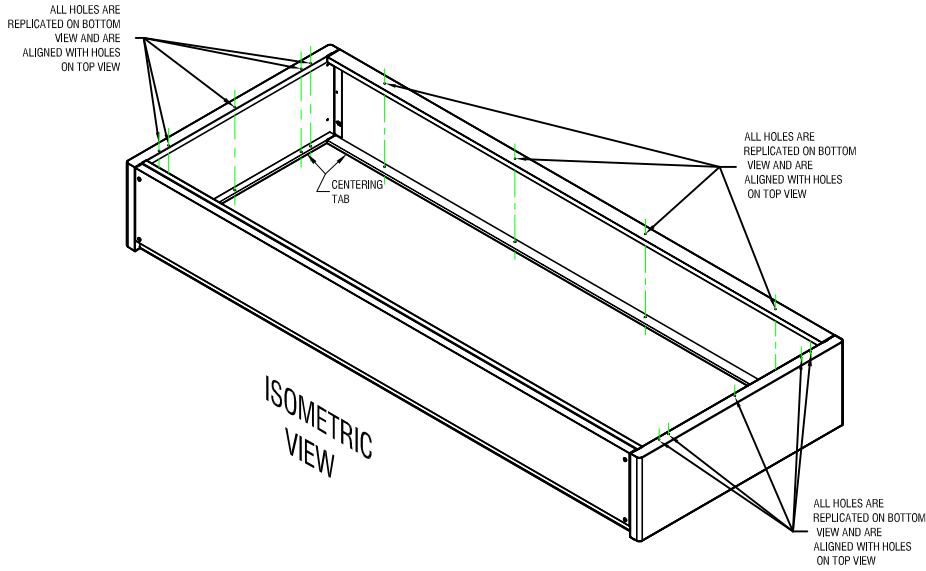
1. INSTALLATION SHALL COMPLY WITH ALL APPLICABLE NATIONAL AND LOCAL CODES.
2. SEE PRODUCT DOCUMENTATION FOR ADDITIONAL INFORMATION.
3. UNLESS OTHERWISE SPECIFIED, ALL DIMENSIONS ARE IN INCHES [MILLIMETERS].

THIS DRAWING AND SPECIFICATIONS HEREIN ARE THE PROPERTY OF SCHNEIDER ELECTRIC AND SHALL NOT BE COPIED, REPRODUCED OR USED IN WHOLE OR IN PART, AS THE BASIS FOR THE MANUFACTURE OR SALE OF ITEMS WITHOUT WRITTEN PERMISSION FROM SCHNEIDER ELECTRIC. THIS DRAWING IS BASED UPON LATEST AVAILABLE INFORMATION AND IS SUBJECT TO CHANGE WITHOUT NOTICE.

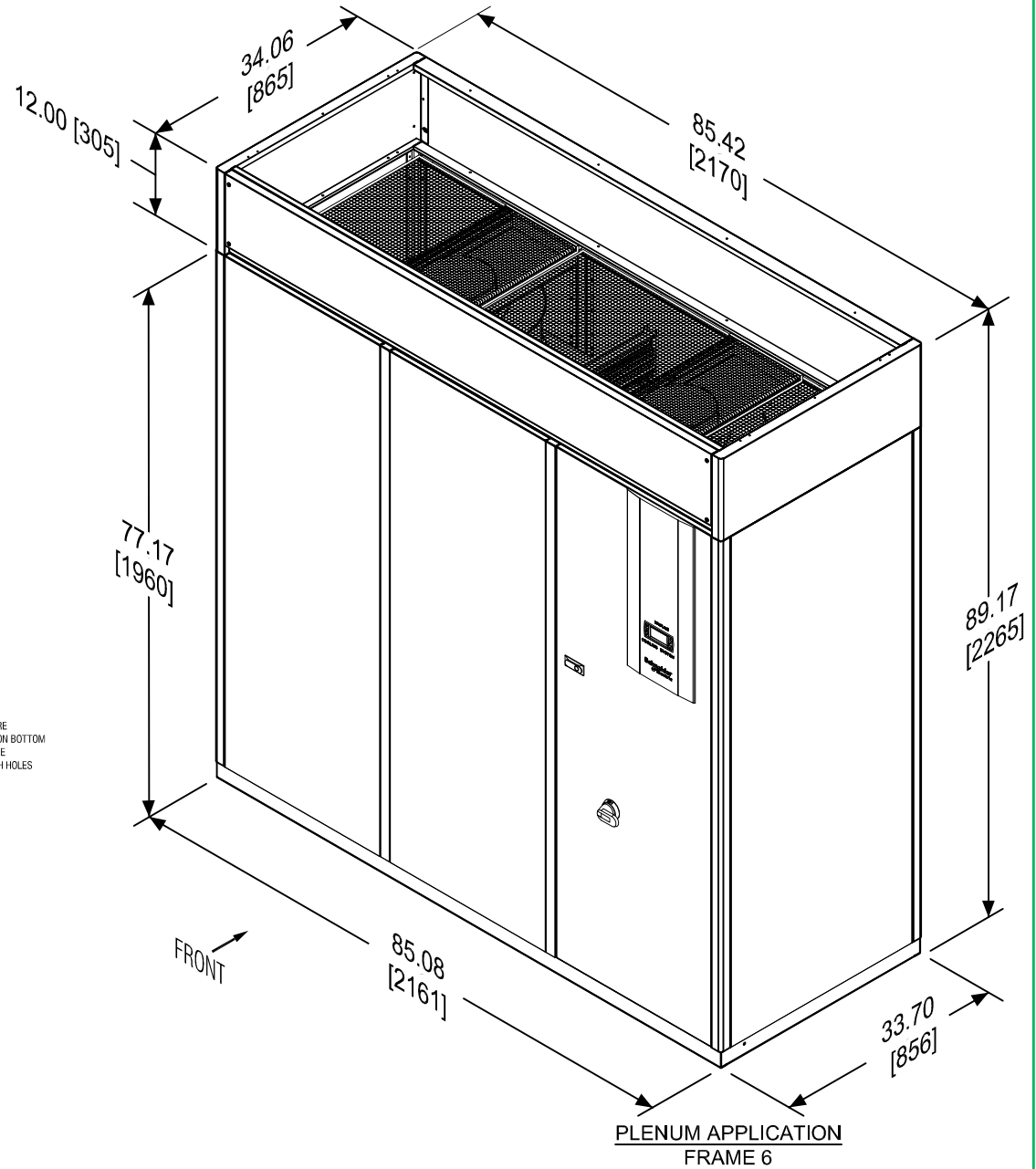


TITLE:	UNIFLAIR 12" STACKABLE PLENUMS FRAME 6 FRONT & SIDE VIEWS w/DETAILS	
PROJECT:	DRAWINGS	SHEET 2 OF 3

DWG NO:	ACPL751XXFR6S		REV. 0
DRAWN BY:	M CRAVEN	17-JUN-14	3RD ANGLE PROJ
ENGINEER:	T PRICOLA/K BAER	17-JUN-14	
APPROVED BY:	C CUMMISKY	17-JUN-14	



ITEM	INCHES	MILLIMETERS
COOLING UNIT BASE HEIGHT	77.17	1960
WITH (1) ONE PLENUM	89.17	2265
WITH (2) TWO PLENUMS	101.17	2570
WITH (3) THREE PLENUMS	113.17	2875
WITH (4) FOUR PLENUMS	125.17	3180



NOTES:

1. INSTALLATION SHALL COMPLY WITH ALL APPLICABLE NATIONAL AND LOCAL CODES.
2. UNLESS OTHERWISE SPECIFIED, DIMENSIONS ARE IN INCH(S)[MILLIMETER(S)]

THIS DRAWING AND SPECIFICATIONS HEREIN ARE THE PROPERTY OF SCHNEIDER ELECTRIC AND SHALL NOT BE COPIED, REPRODUCED OR USED IN WHOLE OR IN PART, AS THE BASIS FOR THE MANUFACTURE OR SALE OF ITEMS WITHOUT WRITTEN PERMISSION FROM SCHNEIDER ELECTRIC. THIS DRAWING IS BASED UPON LATEST AVAILABLE INFORMATION AND IS SUBJECT TO CHANGE WITHOUT NOTICE.



TITLE:	UNIFLAIR 12" STACKABLE PLENUMS FRAME 6	DWG NO:	ACPL751XXFR6S	REV.	0
PROJECT:	DRAWINGS	DRAWN BY:	M CRAVEN	17-JUN-14	3RD ANGLE PROJ
		ENGINEER:	T PRICOLO/K BAER	17-JUN-14	
		APPROVED BY:	C CUMMISKY	17-JUN-14	