

12" STACKABLE PLENUMS, FRAME 3 SKUs			
SKU	COLOR	PLENUM WEIGHT	
		LBS	KG
ACPL75150	UNIFLAIR BLUE	44.10	20.0
ACPL75151	SCHNEIDER WHITE		
ACPL75152	DATA CENTER GRAY		
ACPL75153	RAVEN BLACK		

- NOTES:**
1. INSTALLATION SHALL COMPLY WITH ALL APPLICABLE NATIONAL AND LOCAL CODES.
  2. SEE PRODUCT DOCUMENTATION FOR ADDITIONAL INFORMATION.
  3. UNLESS OTHERWISE SPECIFIED, ALL DIMENSIONS ARE IN INCHES [MILLIMETERS].
  - △ 4. MOUNTING HOLES MAY BE USED FOR SECURING PLENUM TO UNIT AND ANY DUCTWORK.
  5. UP TO FOUR (4) PLENUMS MAY BE STACKED TOGETHER ON THE COOLING UNIT.
  6. IF GRAVITY OR MOTORIZED DAMPERS ARE USED, THEY SHALL BE MOUNTED ON THE TOP OF THE LAST PLENUM USED DUE TO THE CENTERING TAB OF THE STACKABLE PLENUM. ANY ADDITIONAL WIRING LENGTH SHALL BE FIELD SUPPLIED.

THIS DRAWING AND SPECIFICATIONS HEREIN ARE THE PROPERTY OF SCHNEIDER ELECTRIC AND SHALL NOT BE COPIED, REPRODUCED OR USED IN WHOLE OR IN PART, AS THE BASIS FOR THE MANUFACTURE OR SALE OF ITEMS WITHOUT WRITTEN PERMISSION FROM SCHNEIDER ELECTRIC. THIS DRAWING IS BASED UPON LATEST AVAILABLE INFORMATION AND IS SUBJECT TO CHANGE WITHOUT NOTICE.



TITLE: UNIFLAIR 12" STACKABLE PLENUMS FRAME 3 GENERAL ARRANGEMENT

PROJECT: DRAWINGS SHEET 1 OF 3

DWG NO: ACPL751XXFR3S

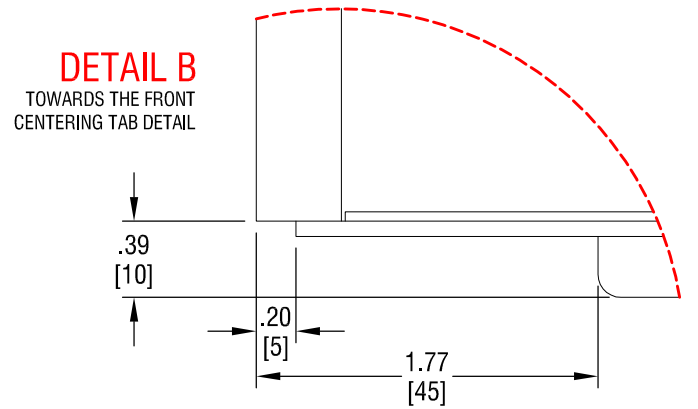
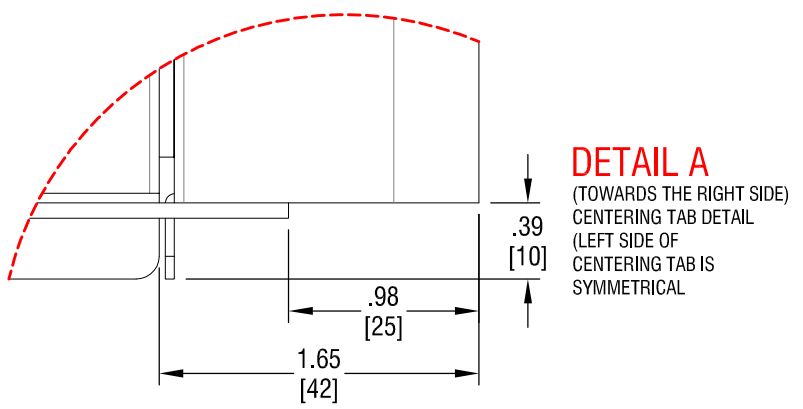
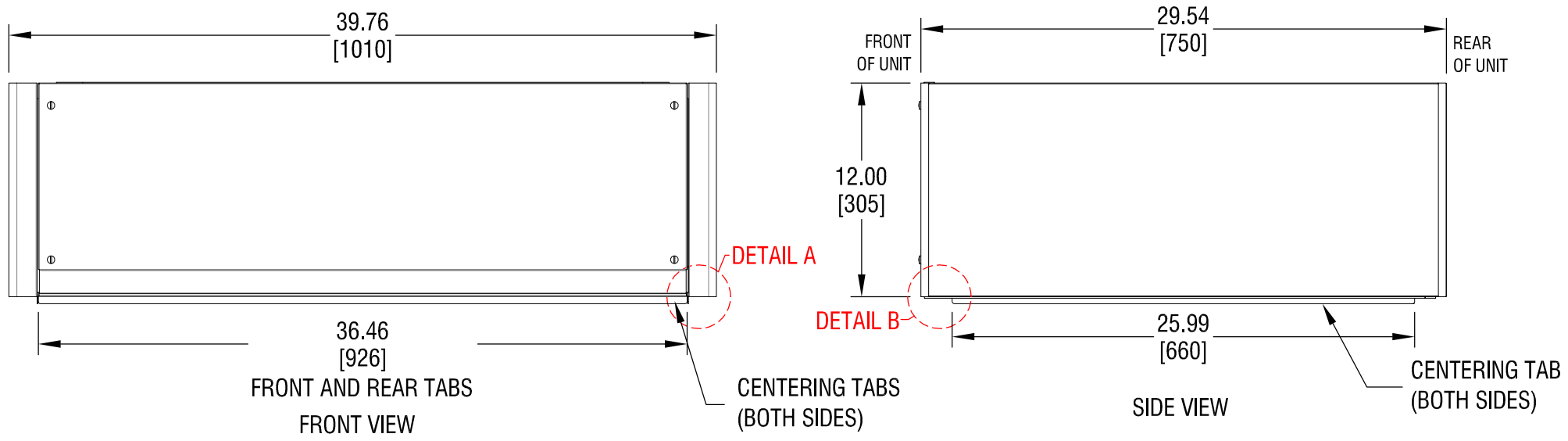
DRAWN BY: M CRAVEN 10-JUN-14

ENGINEER: T PRICOLA/K BAER 10-JUN-14

APPROVED BY: C CUMMISKY 10-JUN-14

REV: 0

3RD ANGLE PROJ



**NOTES:**

1. INSTALLATION SHALL COMPLY WITH ALL APPLICABLE NATIONAL AND LOCAL CODES.
2. SEE PRODUCT DOCUMENTATION FOR ADDITIONAL INFORMATION.
3. UNLESS OTHERWISE SPECIFIED, ALL DIMENSIONS ARE IN INCHES [MILLIMETERS].

THIS DRAWING AND SPECIFICATIONS HEREIN ARE THE PROPERTY OF SCHNEIDER ELECTRIC AND SHALL NOT BE COPIED, REPRODUCED OR USED IN WHOLE OR IN PART, AS THE BASIS FOR THE MANUFACTURE OR SALE OF ITEMS WITHOUT WRITTEN PERMISSION FROM SCHNEIDER ELECTRIC. THIS DRAWING IS BASED UPON LATEST AVAILABLE INFORMATION AND IS SUBJECT TO CHANGE WITHOUT NOTICE.



TITLE: UNIFLAIR  
 12" STACKABLE PLENUMS  
 FRAME 3  
 GENERAL ARRANGEMENT

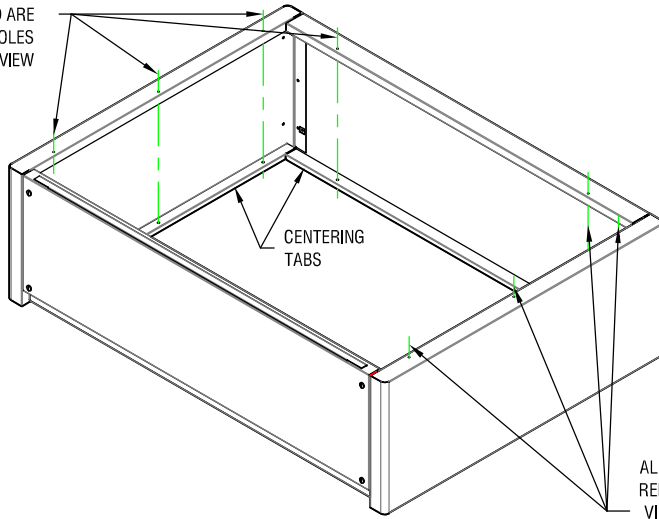
PROJECT: DRAWINGS SHEET 2 OF 3

DWG NO: ACPL751XXFR3S

DRAWN BY: M CRAVEN	10-JUN-14
ENGINEER: T PRICOLO/K BAER	10-JUN-14
APPROVED BY: C CUMMISKY	10-JUN-14

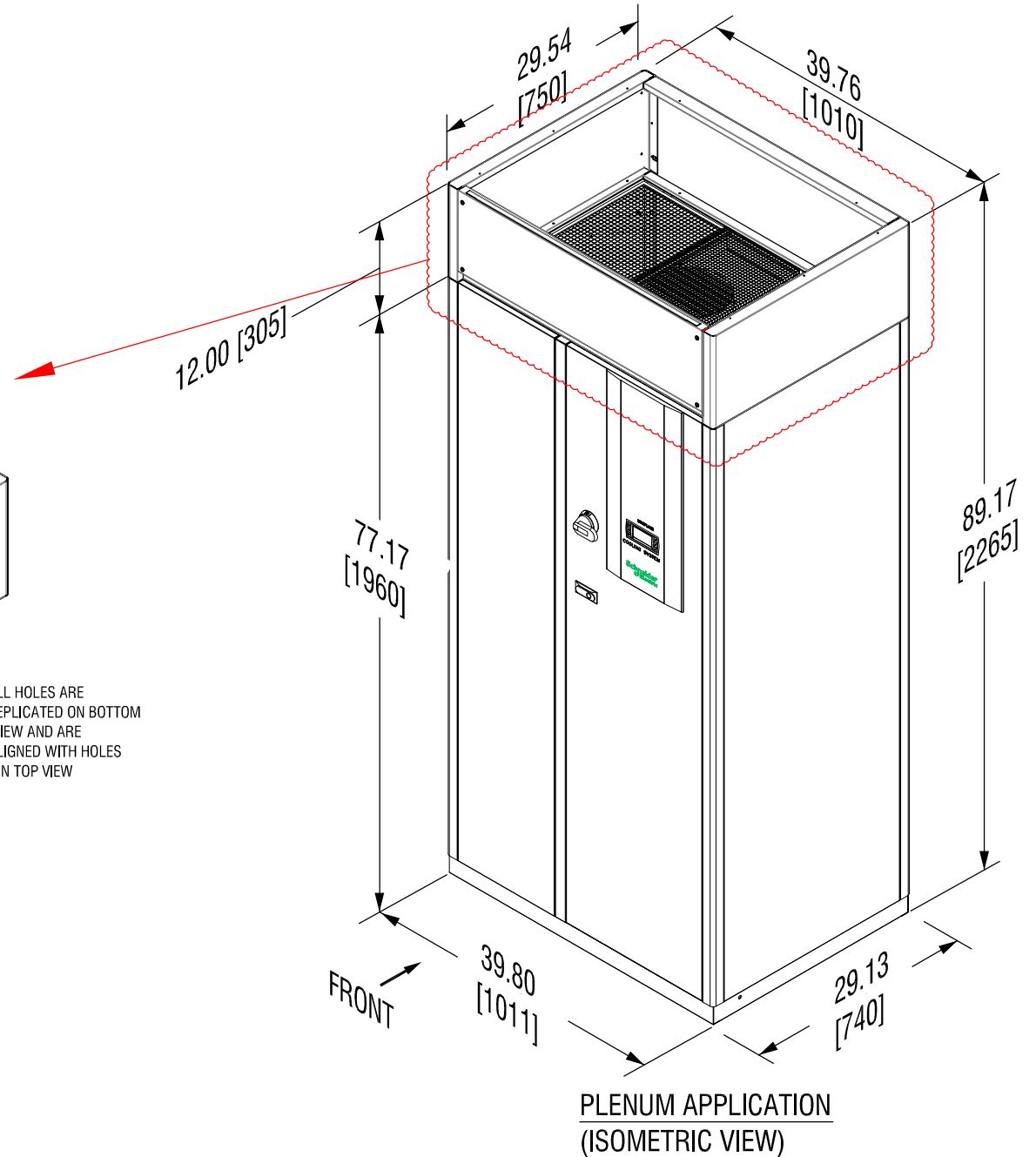
REV: 0  
 3RD ANGLE PROJ

ALL HOLES ARE REPLICATED ON BOTTOM VIEW AND ARE ALIGNED WITH HOLES ON TOP VIEW



ALL HOLES ARE REPLICATED ON BOTTOM VIEW AND ARE ALIGNED WITH HOLES ON TOP VIEW

ITEM	INCHES	MILLIMETERS
COOLING UNIT BASE HEIGHT	77.17	1960
WITH (1) ONE PLENUM	89.17	2265
WITH (2) TWO PLENUMS	101.17	2570
WITH (3) THREE PLENUMS	113.17	2875
WITH (4) FOUR PLENUMS	125.17	3180



**NOTES:**

1. INSTALLATION SHALL COMPLY WITH ALL APPLICABLE NATIONAL AND LOCAL CODES.

THIS DRAWING AND SPECIFICATIONS HEREIN ARE THE PROPERTY OF SCHNEIDER ELECTRIC AND SHALL NOT BE COPIED, REPRODUCED OR USED IN WHOLE OR IN PART, AS THE BASIS FOR THE MANUFACTURE OR SALE OF ITEMS WITHOUT WRITTEN PERMISSION FROM SCHNEIDER ELECTRIC. THIS DRAWING IS BASED UPON LATEST AVAILABLE INFORMATION AND IS SUBJECT TO CHANGE WITHOUT NOTICE.



TITLE: UNIFLAIR  
12" STACKABLE PLENUMS  
FRAME 3  
PLENUM APPLICATION

PROJECT: DRAWINGS SHEET 3 OF 3

DWG NO: ACPL751XXFR3S

DRAWN BY: M CRAVEN 10-JUN-14

ENGINEER: T PRICOLA/K BAER 10-JUN-14

APPROVED BY: C CUMMISKY 10-JUN-14

REV: 0

3RD ANGLE PROJ