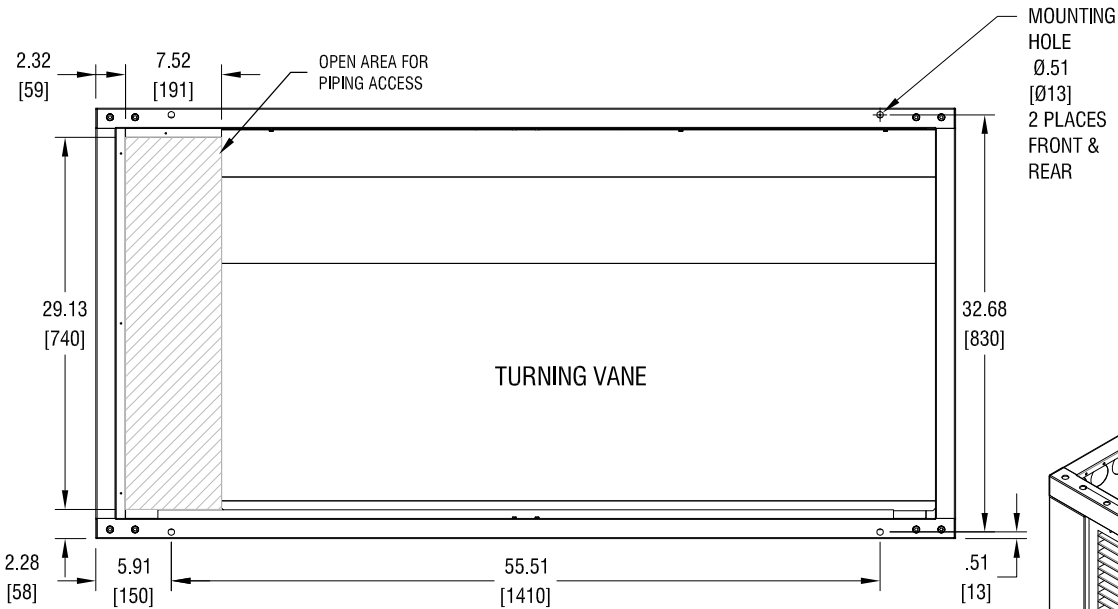
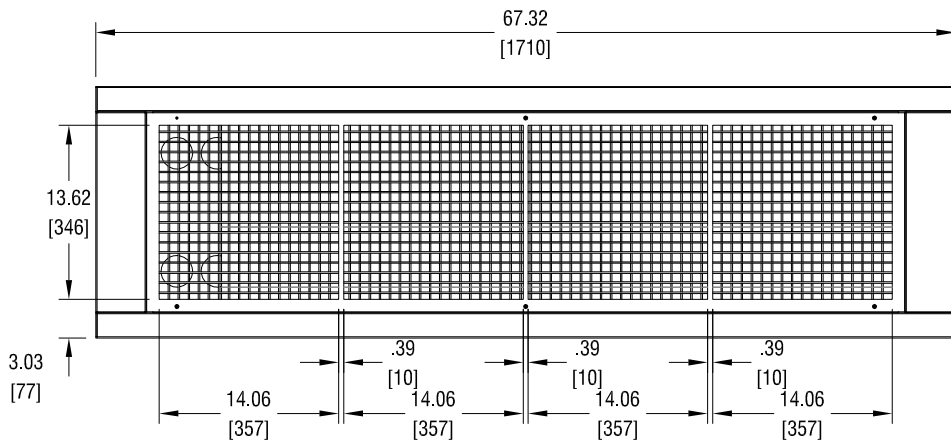


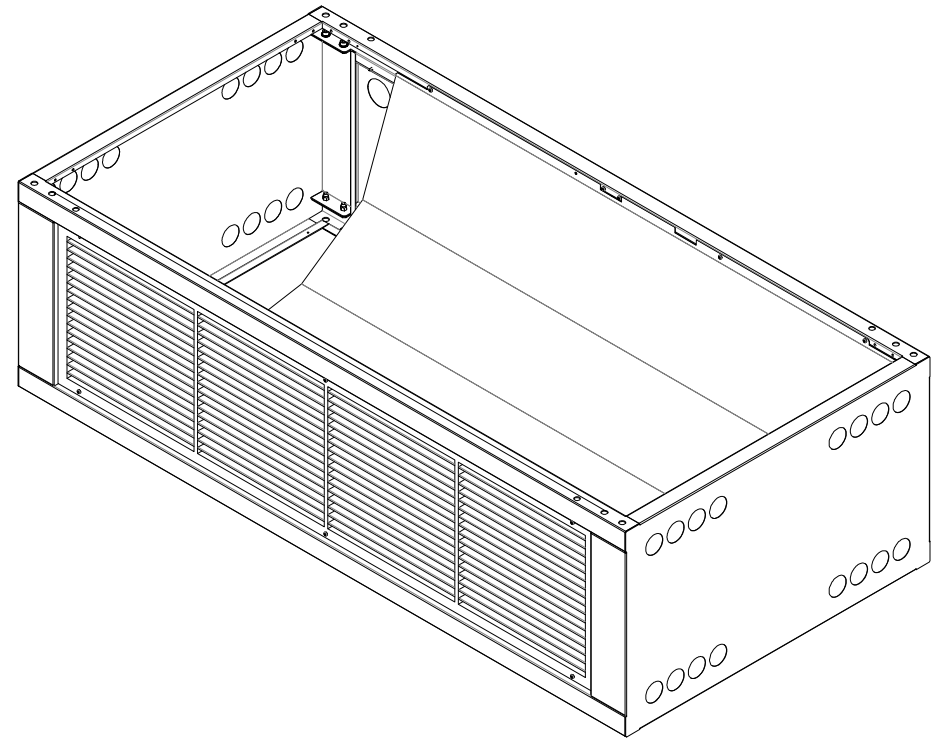
FRAME 5 SUB-BASE SKUs			
SKU	COLOR	PLENUM WEIGHT	
		LBS	KG
ACSB76147	UNIFLAIR BLUE	130.10	59.00
ACSB76171	SCHNEIDER WHITE		
ACSB76172	DATA CENTER GRAY		
ACSB76173	RAVEN BLACK		



TOP VIEW



FRONT VIEW



ISOMETRIC VIEW

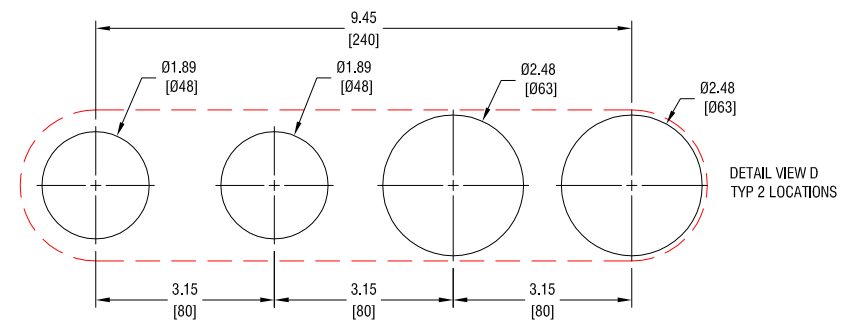
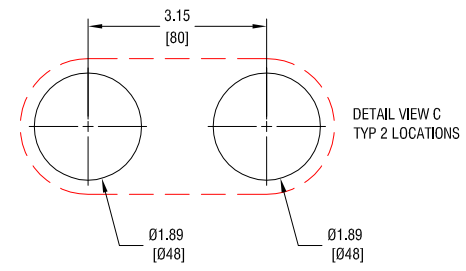
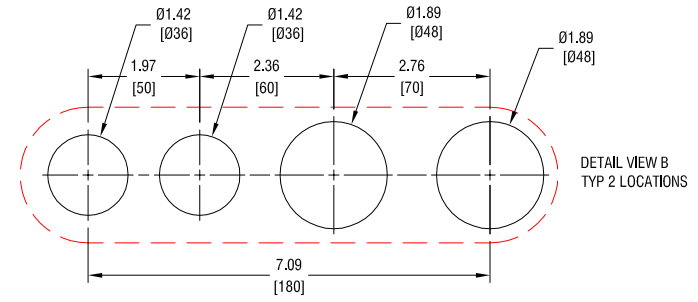
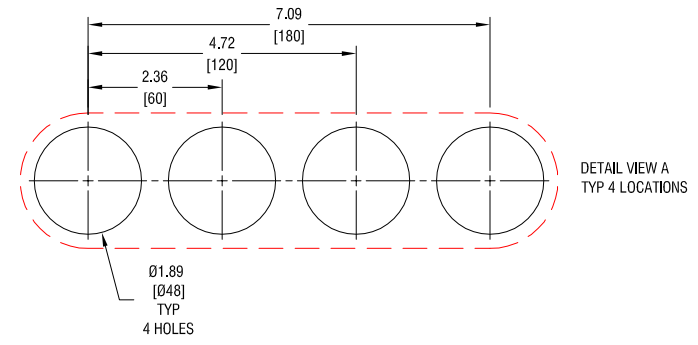
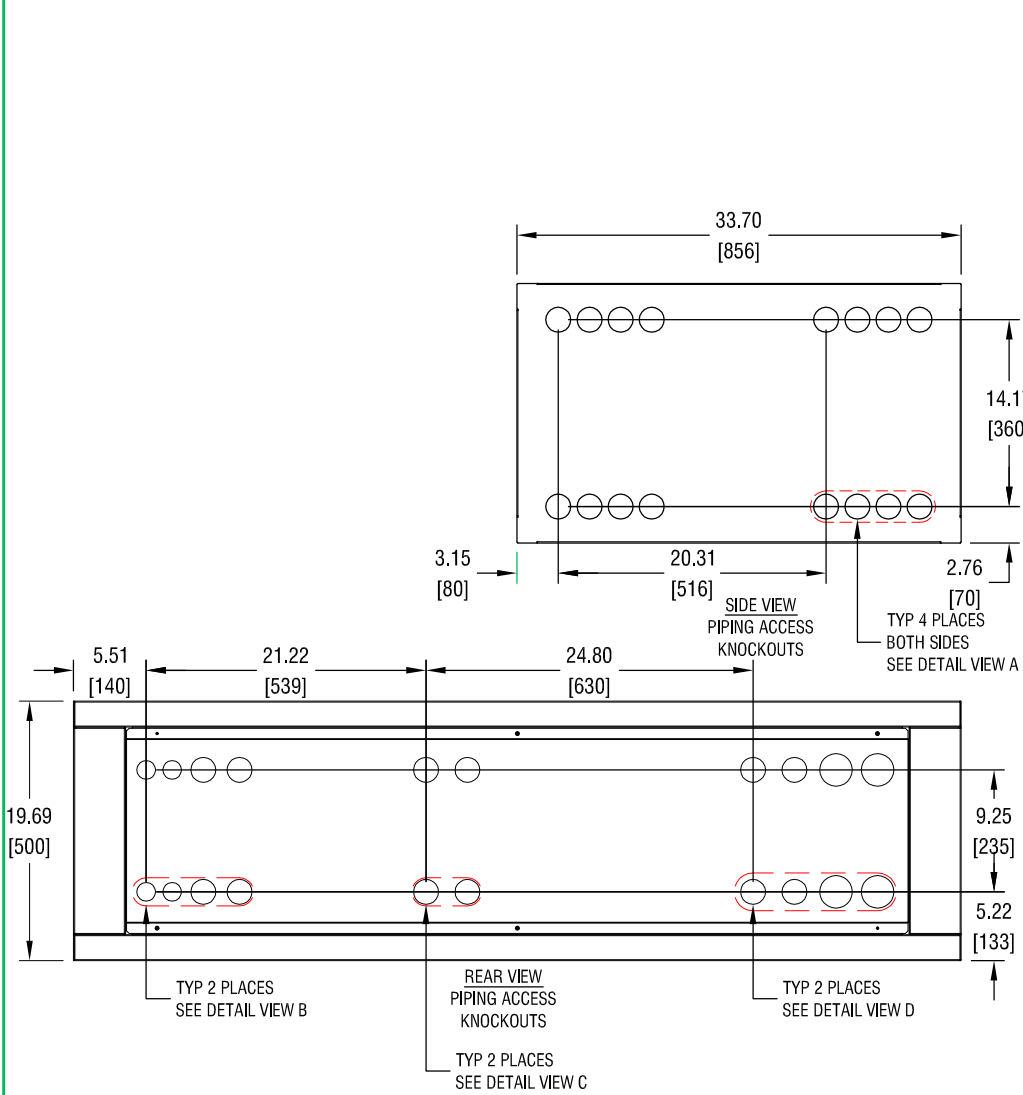
NOTES:

1. INSTALLATION SHALL COMPLY WITH ALL APPLICABLE NATIONAL AND LOCAL CODES.
2. SEE PRODUCT DOCUMENTATION FOR ADDITIONAL INFORMATION
3. UNLESS OTHERWISE SPECIFIED, ALL DIMENSIONS ARE IN INCHES [MILLIMETERS].

THIS DRAWING AND SPECIFICATIONS HEREIN ARE THE PROPERTY OF SCHNEIDER ELECTRIC AND SHALL NOT BE COPIED, REPRODUCED OR USED IN WHOLE OR IN PART, AS THE BASIS FOR THE MANUFACTURE OR SALE OF ITEMS WITHOUT WRITTEN PERMISSION FROM SCHNEIDER ELECTRIC. THIS DRAWING IS BASED UPON LATEST AVAILABLE INFORMATION AND IS SUBJECT TO CHANGE WITHOUT NOTICE.



TITLE:	UNIFLAIR FRONT DISCHARGE SUB-BASE FRAME SIZE 5 GENERAL ARRANGEMENT		DWG NO:	ACSB761XXFR5F	REV:	0
DRAWN BY:	M CRAVEN	27-FEB-14	ENGINEER:	T PRICOLA/K BAER	27-FEB-14	3RD ANGLE PROJ
APPROVED BY:	C CUMMISKY	27-FEB-14	PROJECT:	DRAWINGS	SHEET	1 of 3



NOTES:

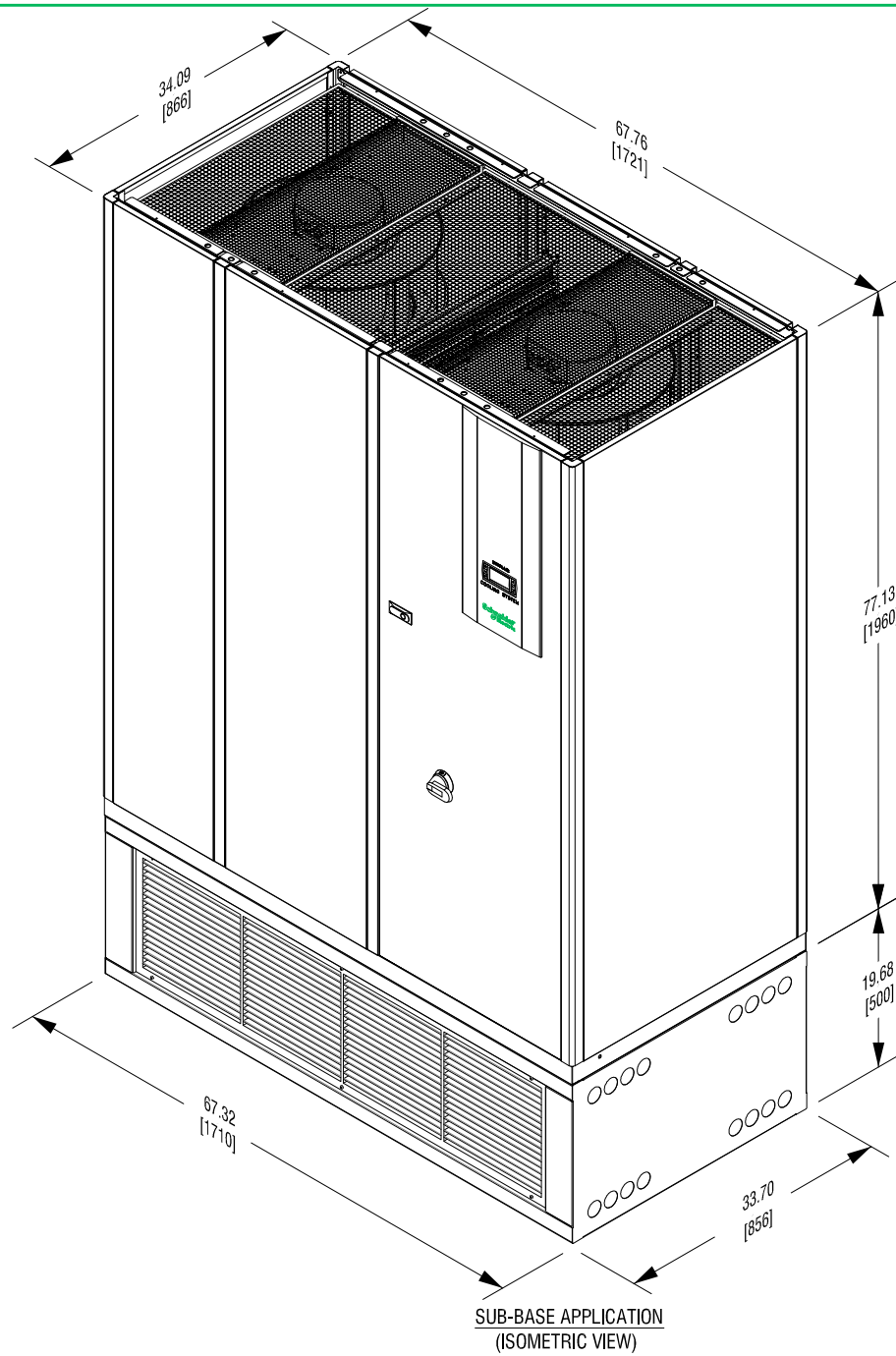
1. INSTALLATION SHALL COMPLY WITH ALL APPLICABLE NATIONAL AND LOCAL CODES.
2. SEE PRODUCT DOCUMENTATION FOR ADDITIONAL INFORMATION
3. UNLESS OTHERWISE SPECIFIED, ALL DIMENSIONS ARE IN INCHES [MILLIMETERS].

THIS DRAWING AND SPECIFICATIONS HEREIN ARE THE PROPERTY OF SCHNEIDER ELECTRIC AND SHALL NOT BE COPIED, REPRODUCED OR USED IN WHOLE OR IN PART, AS THE BASIS FOR THE MANUFACTURE OR SALE OF ITEMS WITHOUT WRITTEN PERMISSION FROM SCHNEIDER ELECTRIC. THIS DRAWING IS BASED UPON LATEST AVAILABLE INFORMATION AND IS SUBJECT TO CHANGE WITHOUT NOTICE.



TITLE:	UNIFLAIR FRONT DISCHARGE SUB-BASE FRAME SIZE 5 PIPING CONNECTION DETAILS	
PROJECT:	DRAWINGS	SHEET 2 of 3

DWG NO:	ACSB761XXFR5F		REV:	0
DRAWN BY:	M CRAVEN	27-FEB-14	3RD ANGLE PROJ	
ENGINEER:	T PRICOLA/K BAER	27-FEB-14		
APPROVED BY:	C CUMMISKY	27-FEB-14		



SUB-BASE APPLICATION
(ISOMETRIC VIEW)

NOTES:

1. INSTALLATION SHALL COMPLY WITH ALL APPLICABLE NATIONAL AND LOCAL CODES.

THIS DRAWING AND SPECIFICATIONS HEREIN ARE THE PROPERTY OF SCHNEIDER ELECTRIC AND SHALL NOT BE COPIED, REPRODUCED OR USED IN WHOLE OR IN PART, AS THE BASIS FOR THE MANUFACTURE OR SALE OF ITEMS WITHOUT WRITTEN PERMISSION FROM SCHNEIDER ELECTRIC. THIS DRAWING IS BASED UPON LATEST AVAILABLE INFORMATION AND IS SUBJECT TO CHANGE WITHOUT NOTICE.



TITLE:	UNIFLAIR FRONT DISCHARGE SUB-BASE FRAME SIZE 5 ISOMETRIC VIEW		
PROJECT:	DRAWINGS	SHEET	3 of 3

DWG NO:	ACSB761XXFR5F		REV:	0
DRAWN BY:	M CRAVEN	27-FEB-14	3RD ANGLE PROJ	
ENGINEER:	T PRICOLA/K BAER	27-FEB-14		
APPROVED BY:	C CUMMISKY	27-FEB-14		