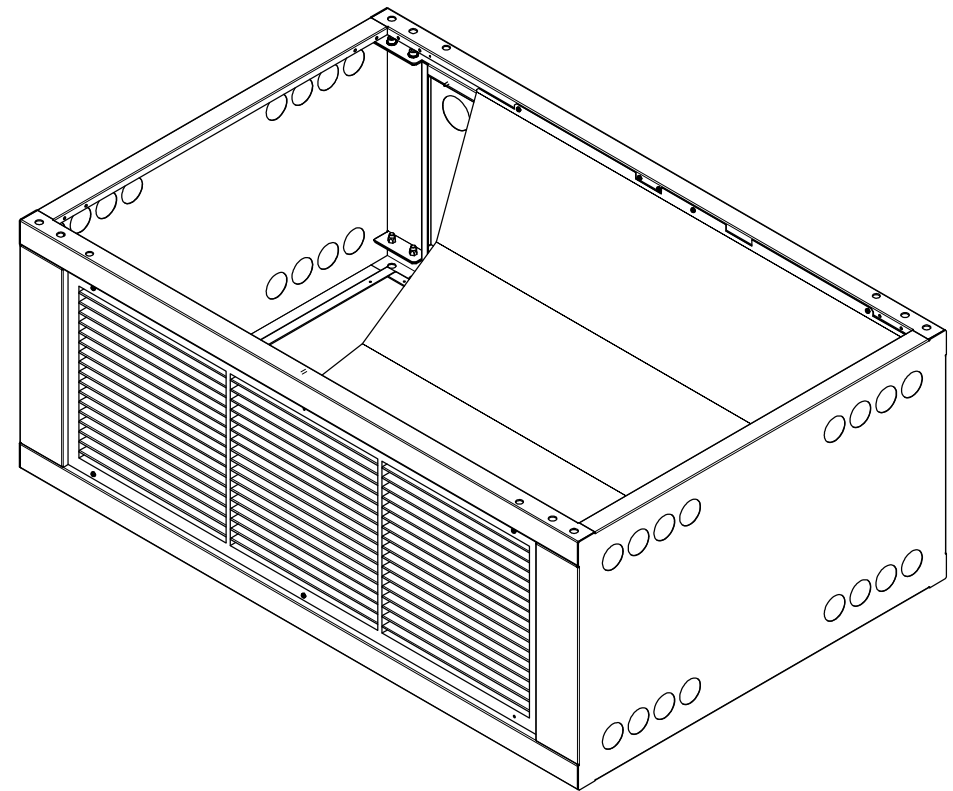


FRAME 4 SUB-BASE SKUs			
SKU	COLOR	PLENUM WEIGHT	
		LBS	KG
ACSB76146	UNIFLAIR BLUE	110.20	50.00
ACSB76168	SCHNEIDER WHITE		
ACSB76169	DATA CENTER GRAY		
ACSB76170	RAVEN BLACK		



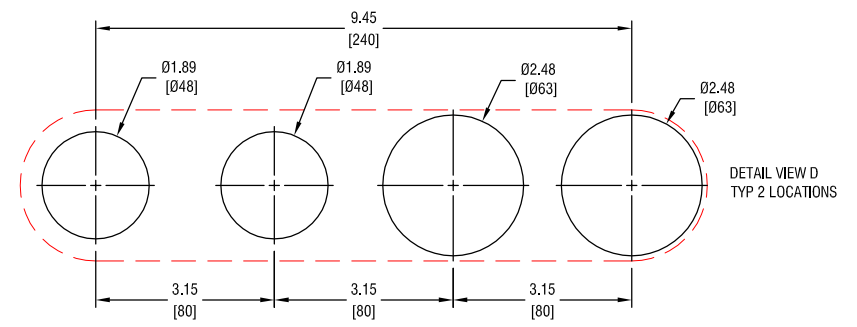
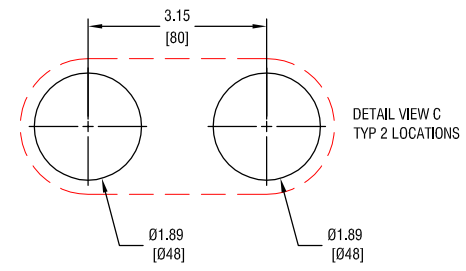
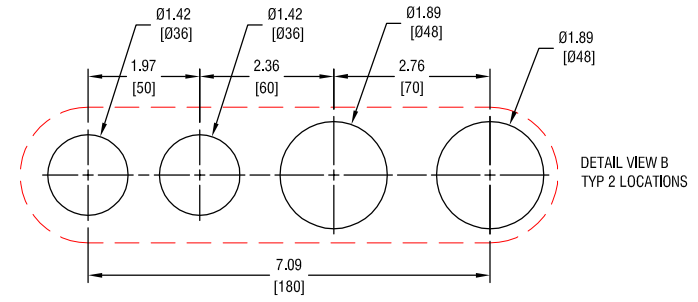
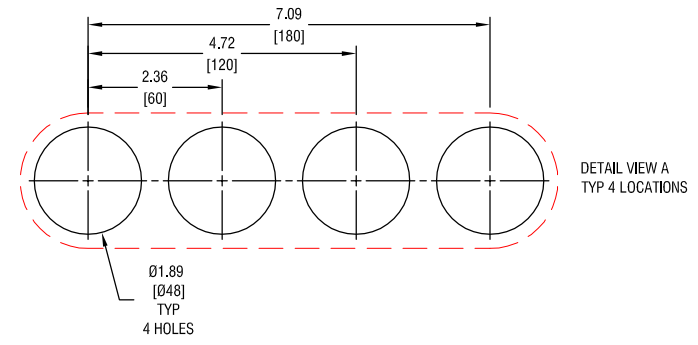
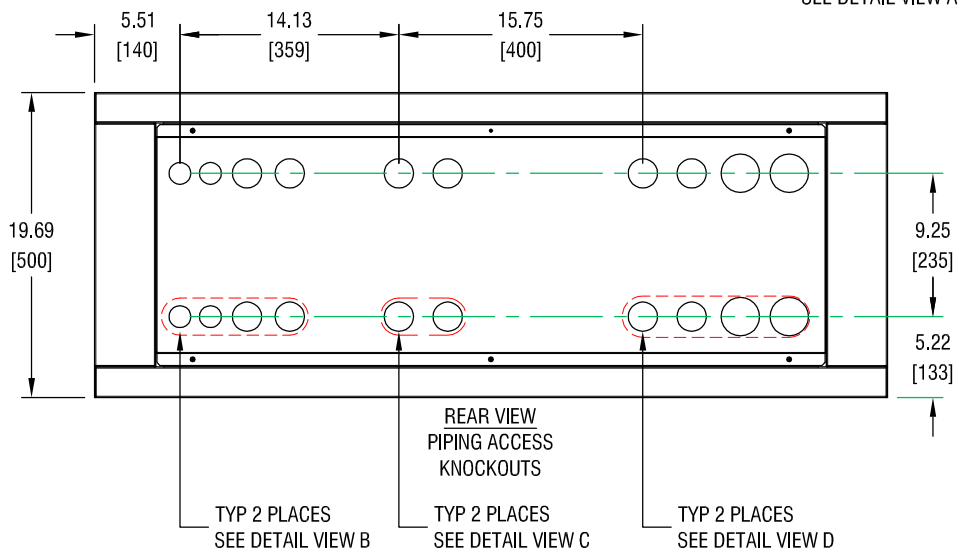
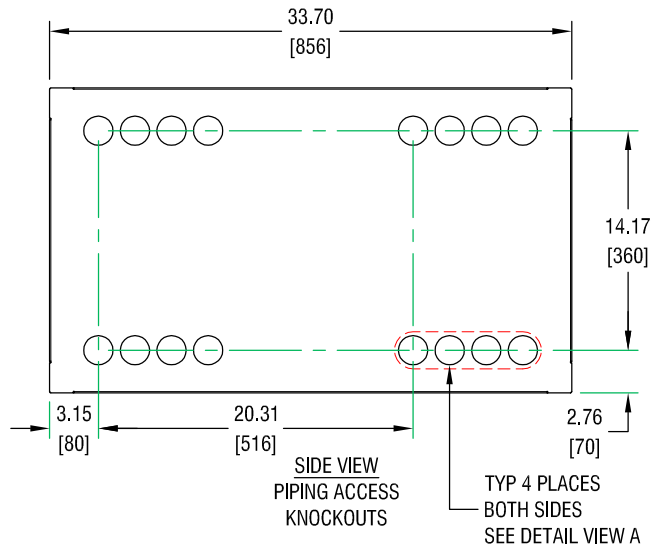
**NOTES:**

1. INSTALLATION SHALL COMPLY WITH ALL APPLICABLE NATIONAL AND LOCAL CODES.
2. SEE PRODUCT DOCUMENTATION FOR ADDITIONAL INFORMATION
3. UNLESS OTHERWISE SPECIFIED, ALL DIMENSIONS ARE IN INCHES [MILLIMETERS].

THIS DRAWING AND SPECIFICATIONS HEREIN ARE THE PROPERTY OF SCHNEIDER ELECTRIC AND SHALL NOT BE COPIED, REPRODUCED OR USED IN WHOLE OR IN PART, AS THE BASIS FOR THE MANUFACTURE OR SALE OF ITEMS WITHOUT WRITTEN PERMISSION FROM SCHNEIDER ELECTRIC. THIS DRAWING IS BASED UPON LATEST AVAILABLE INFORMATION AND IS SUBJECT TO CHANGE WITHOUT NOTICE.



TITLE:	UNIFLAIR FRONT DISCHARGE SUB-BASE FRAME SIZE 4 GENERAL ARRANGEMENT		DWG NO:	<b>ACSB761XXFR4F</b>	REV:	<b>0</b>
PROJECT:	DRAWINGS	SHEET	1 of 3	DRAWN BY:	M CRAVEN	27-FEB-14
				ENGINEER:	T PRICOLO/K BAER	27-FEB-14
				APPROVED BY:	C CUMMISKY	27-FEB-14
						3RD ANGLE PROJ



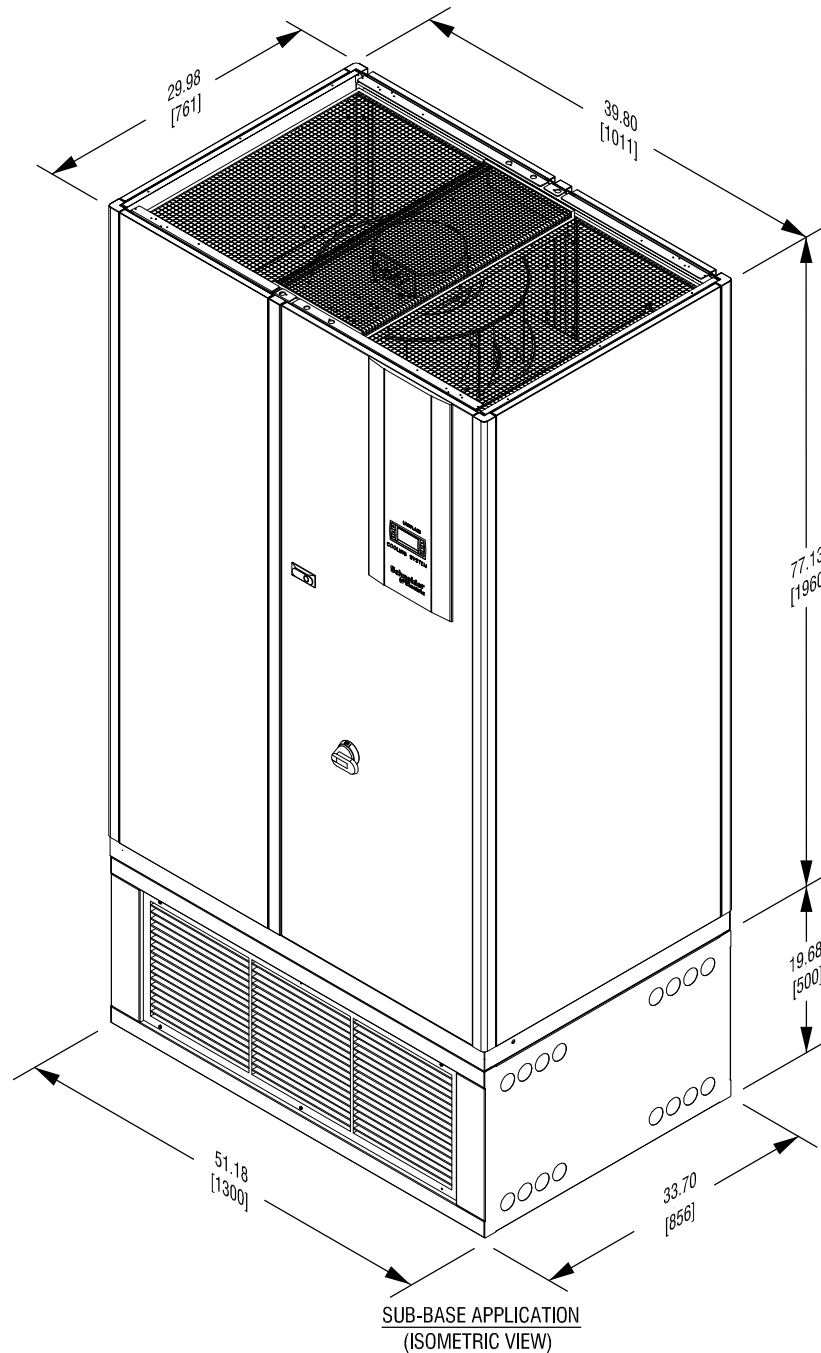
**NOTES:**

1. INSTALLATION SHALL COMPLY WITH ALL APPLICABLE NATIONAL AND LOCAL CODES.
2. SEE PRODUCT DOCUMENTATION FOR ADDITIONAL INFORMATION
3. UNLESS OTHERWISE SPECIFIED, ALL DIMENSIONS ARE IN INCHES [MILLIMETERS].

THIS DRAWING AND SPECIFICATIONS HEREIN ARE THE PROPERTY OF SCHNEIDER ELECTRIC AND SHALL NOT BE COPIED, REPRODUCED OR USED IN WHOLE OR IN PART, AS THE BASIS FOR THE MANUFACTURE OR SALE OF ITEMS WITHOUT WRITTEN PERMISSION FROM SCHNEIDER ELECTRIC. THIS DRAWING IS BASED UPON LATEST AVAILABLE INFORMATION AND IS SUBJECT TO CHANGE WITHOUT NOTICE.



TITLE: UNIFLAIR FRONT DISCHARGE SUB-BASE FRAME SIZE 4 TOP VW w/MOUNTING & CONNECTION DETAILS		DWG NO: ACSB761XXFR4F		REV: 0
PROJECT: DRAWINGS	SHEET 2 of 3	DRAWN BY: M CRAVEN	27-FEB-14	3RD ANGLE PROJ
		ENGINEER: T PRICOLO/K BAER	27-FEB-14	
		APPROVED BY: C CUMMISKY	27-FEB-14	



**NOTES:**

1. INSTALLATION SHALL COMPLY WITH ALL APPLICABLE NATIONAL AND LOCAL CODES.

THIS DRAWING AND SPECIFICATIONS HEREIN ARE THE PROPERTY OF SCHNEIDER ELECTRIC AND SHALL NOT BE COPIED, REPRODUCED OR USED IN WHOLE OR IN PART, AS THE BASIS FOR THE MANUFACTURE OR SALE OF ITEMS WITHOUT WRITTEN PERMISSION FROM SCHNEIDER ELECTRIC. THIS DRAWING IS BASED UPON LATEST AVAILABLE INFORMATION AND IS SUBJECT TO CHANGE WITHOUT NOTICE.



TITLE:	UNIFLAIR FRONT DISCHARGE SUB-BASE FRAME SIZE 4 ISOMETRIC VIEW	
PROJECT:	DRAWINGS	SHEET 3 of 3

DWG NO:	<b>ACSB761XXFR4F</b>		REV. <b>0</b>
DRAWN BY:	M CRAVEN	27-FEB-14	3RD ANGLE PROJ
ENGINEER:	T PRICOLO/K BAER	27-FEB-14	
APPROVED BY:	C CUMMISKY	27-FEB-14	