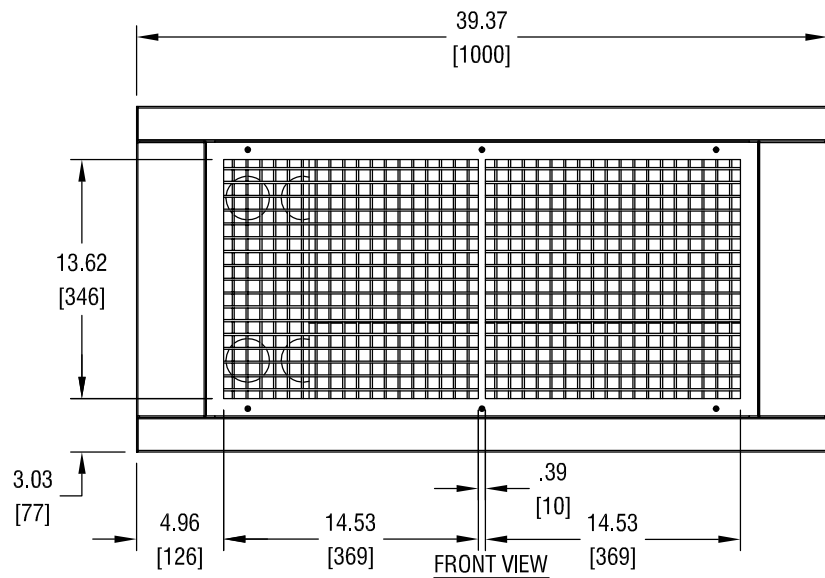


TOP VIEW



FRONT VIEW  
FRONT SUPPLY

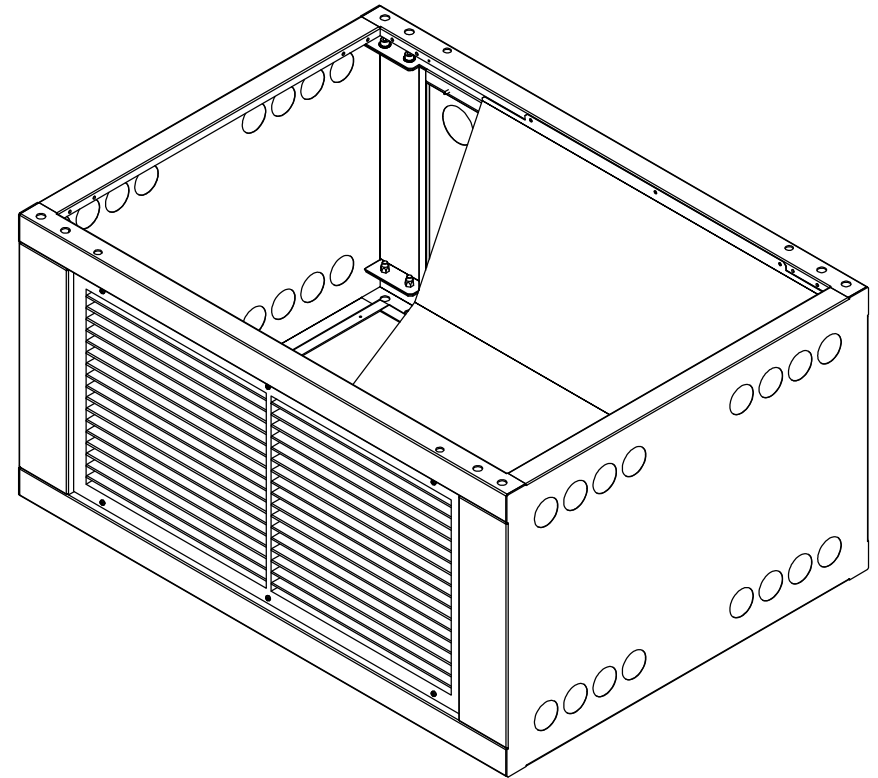
NOTES:

1. INSTALLATION SHALL COMPLY WITH ALL APPLICABLE NATIONAL AND LOCAL CODES.
2. SEE PRODUCT DOCUMENTATION FOR ADDITIONAL INFORMATION
3. UNLESS OTHERWISE SPECIFIED, ALL DIMENSIONS ARE IN INCHES [MILLIMETERS].

THIS DRAWING AND SPECIFICATIONS HEREIN ARE THE PROPERTY OF SCHNEIDER ELECTRIC AND SHALL NOT BE COPIED, REPRODUCED OR USED IN WHOLE OR IN PART, AS THE BASIS FOR THE MANUFACTURE OR SALE OF ITEMS WITHOUT WRITTEN PERMISSION FROM SCHNEIDER ELECTRIC. THIS DRAWING IS BASED UPON LATEST AVAILABLE INFORMATION AND IS SUBJECT TO CHANGE WITHOUT NOTICE.



FRAME 3 SUB-BASE SKUs			
SKU	COLOR	PLENUM WEIGHT	
		LBS	KG
ACSB76145	UNIFLAIR BLUE	83.78	38.00
ACSB76165	SCHNEIDER WHITE		
ACSB76166	DATA CENTER GRAY		
ACSB76167	RAVEN BLACK		

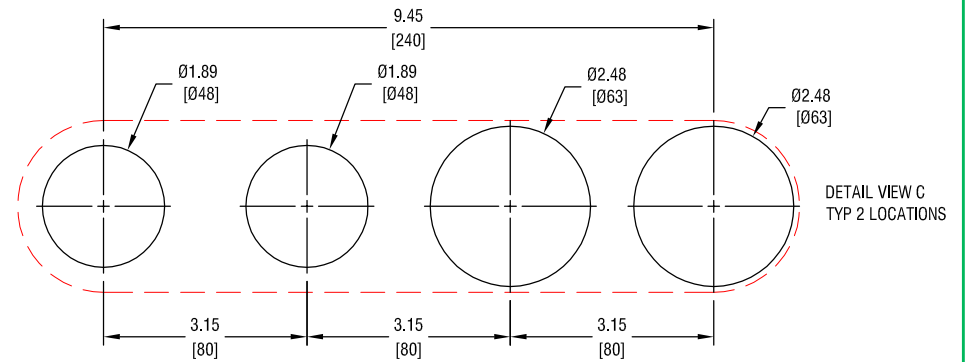
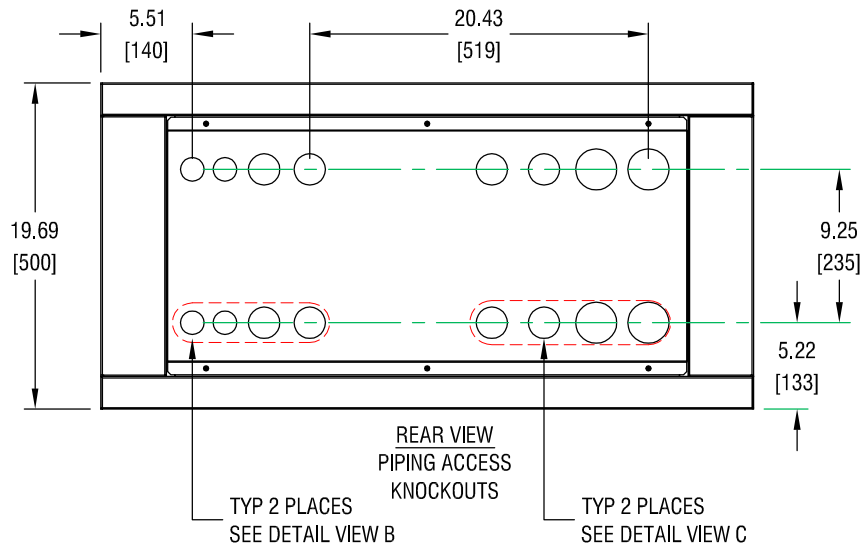
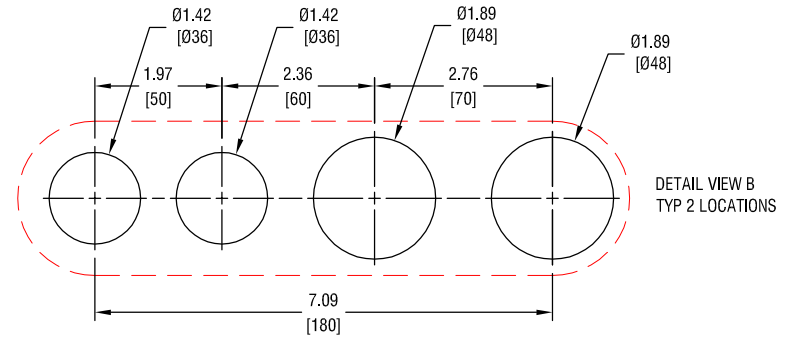
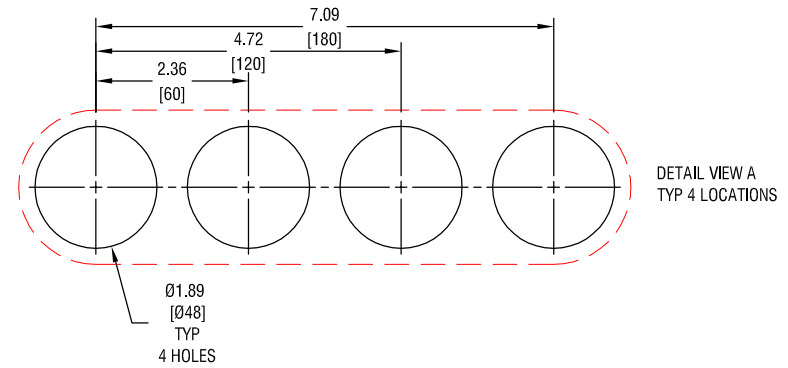
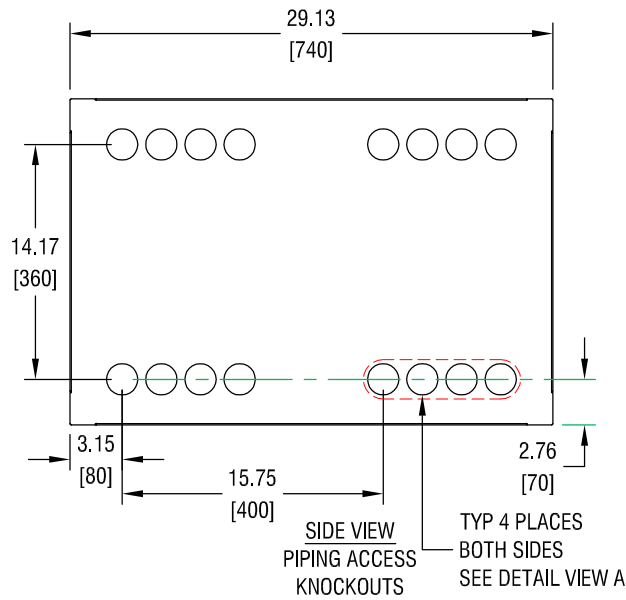


TITLE: UNIFLAIR FRONT DISCHARGE SUB-BASE FRAME SIZE 3 GENERAL ARRANGEMENT

DWG NO: ACSB761XXFR3F REV: 0

DRAWN BY: M CRAVEN	22-FEB-14	3RD ANGLE PROJ
ENGINEER: T PRICOLO/K BAER	22-FEB-14	
APPROVED BY: C CUMMISKY	22-FEB-14	

PROJECT: DRAWINGS SHEET 1 of 3



**NOTES:**

1. INSTALLATION SHALL COMPLY WITH ALL APPLICABLE NATIONAL AND LOCAL CODES.
2. SEE PRODUCT DOCUMENTATION FOR ADDITIONAL INFORMATION
3. UNLESS OTHERWISE SPECIFIED, ALL DIMENSIONS ARE IN INCHES [MILLIMETERS].

THIS DRAWING AND SPECIFICATIONS HEREIN ARE THE PROPERTY OF SCHNEIDER ELECTRIC AND SHALL NOT BE COPIED, REPRODUCED OR USED IN WHOLE OR IN PART, AS THE BASIS FOR THE MANUFACTURE OR SALE OF ITEMS WITHOUT WRITTEN PERMISSION FROM SCHNEIDER ELECTRIC. THIS DRAWING IS BASED UPON LATEST AVAILABLE INFORMATION AND IS SUBJECT TO CHANGE WITHOUT NOTICE.

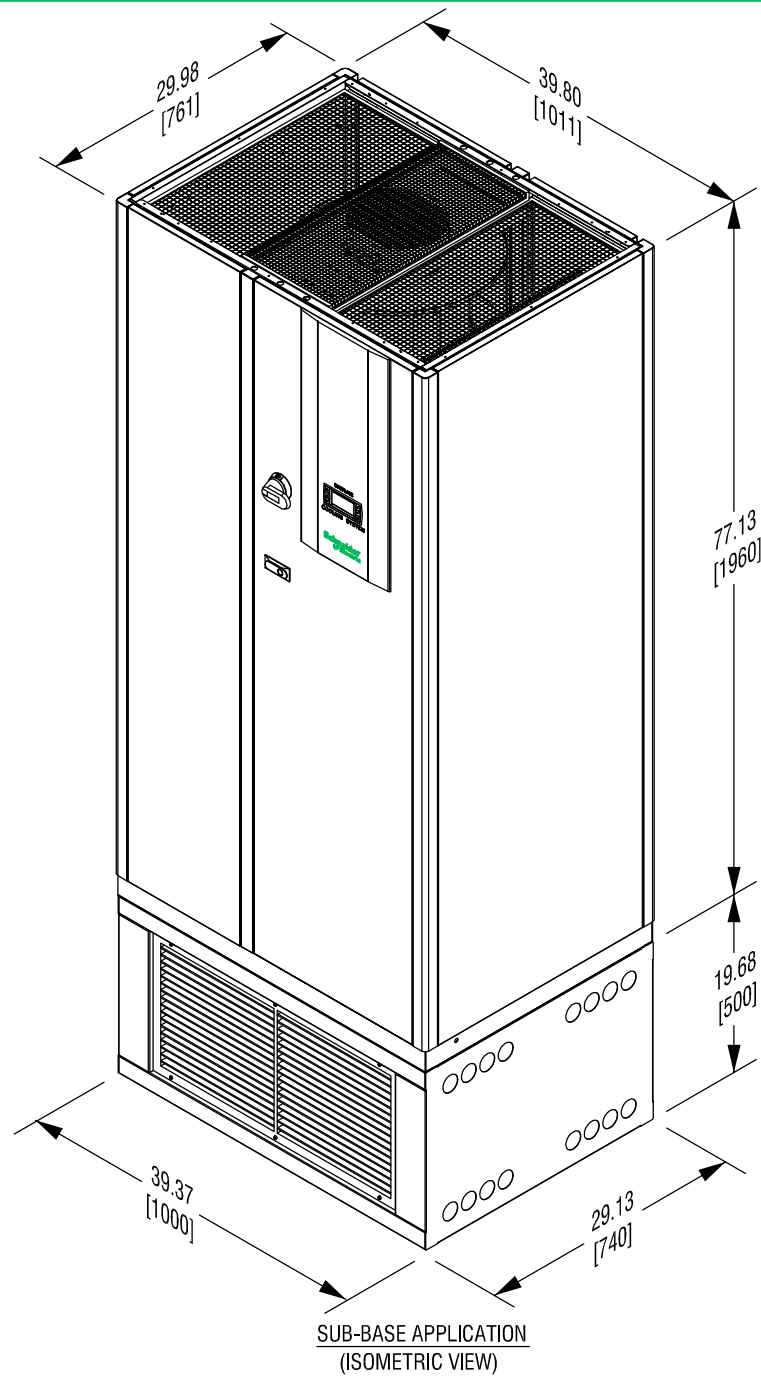


TITLE: UNIFLAIR  
FRONT DISCHARGE SUB-BASE  
FRAME SIZE 3  
PIPING CONNECTION DETAILS

DWG NO: ACSB761XXFR3F REV: 0

DRAWN BY:	M CRAVEN	22-FEB-14	3RD ANGLE PROJ
ENGINEER:	T PRICOLO/K BAER	22-FEB-14	
APPROVED BY:	C CUMMISKY	22-FEB-14	

PROJECT: DRAWINGS SHEET 2 of 3



**NOTES:**

1. INSTALLATION SHALL COMPLY WITH ALL APPLICABLE NATIONAL AND LOCAL CODES.

THIS DRAWING AND SPECIFICATIONS HEREIN ARE THE PROPERTY OF SCHNEIDER ELECTRIC AND SHALL NOT BE COPIED, REPRODUCED OR USED IN WHOLE OR IN PART, AS THE BASIS FOR THE MANUFACTURE OR SALE OF ITEMS WITHOUT WRITTEN PERMISSION FROM SCHNEIDER ELECTRIC. THIS DRAWING IS BASED UPON LATEST AVAILABLE INFORMATION AND IS SUBJECT TO CHANGE WITHOUT NOTICE.



TITLE:	UNIFLAIR FRONT DISCHARGE SUB-BASE FRAME SIZE 3 ISOMETRIC VIEW	
PROJECT:	DRAWINGS	SHEET 3 of 3

DWG NO:	ACSB761XXFR3F		REV:	0
DRAWN BY:	M CRAVEN	22-FEB-14		
ENGINEER:	T PRICOLO/K BAER	22-FEB-14		
APPROVED BY:	C CUMMISKY	22-FEB-14		
			3RD	ANGLE
			PROJ	