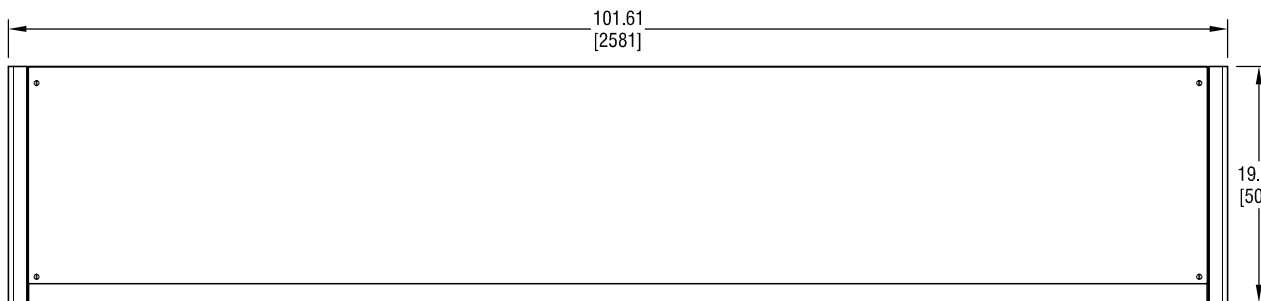
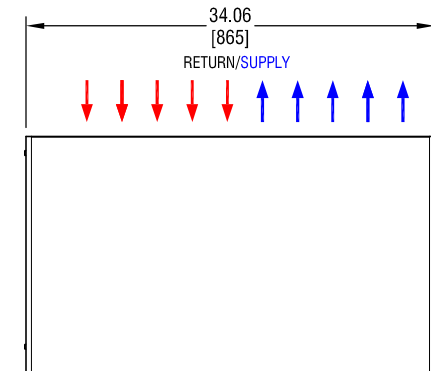


TOP VIEW



FRONT VIEW



SIDE VIEW

FRAME 7 PLENUM SKUs			
SKU	COLOR	PLENUM WEIGHT	
		LBS	KG
ACPL75114	UNIFLAIR BLUE	136.70	62.14
ACPL75142	SCHNEIDER WHITE		
ACPL75143	DATA CENTER GRAY		
ACPL75144	RAVEN BLACK		

NOTES:

1. INSTALLATION SHALL COMPLY WITH ALL APPLICABLE NATIONAL AND LOCAL CODES.
2. SEE PRODUCT DOCUMENTATION FOR ADDITIONAL INFORMATION
3. UNLESS OTHERWISE SPECIFIED, ALL DIMENSIONS ARE IN INCHES [MILLIMETERS].

THIS DRAWING AND SPECIFICATIONS HEREIN ARE THE PROPERTY OF SCHNEIDER ELECTRIC AND SHALL NOT BE COPIED, REPRODUCED OR USED IN WHOLE OR IN PART, AS THE BASIS FOR THE MANUFACTURE OR SALE OF ITEMS WITHOUT WRITTEN PERMISSION FROM SCHNEIDER ELECTRIC. THIS DRAWING IS BASED UPON LATEST AVAILABLE INFORMATION AND IS SUBJECT TO CHANGE WITHOUT NOTICE.

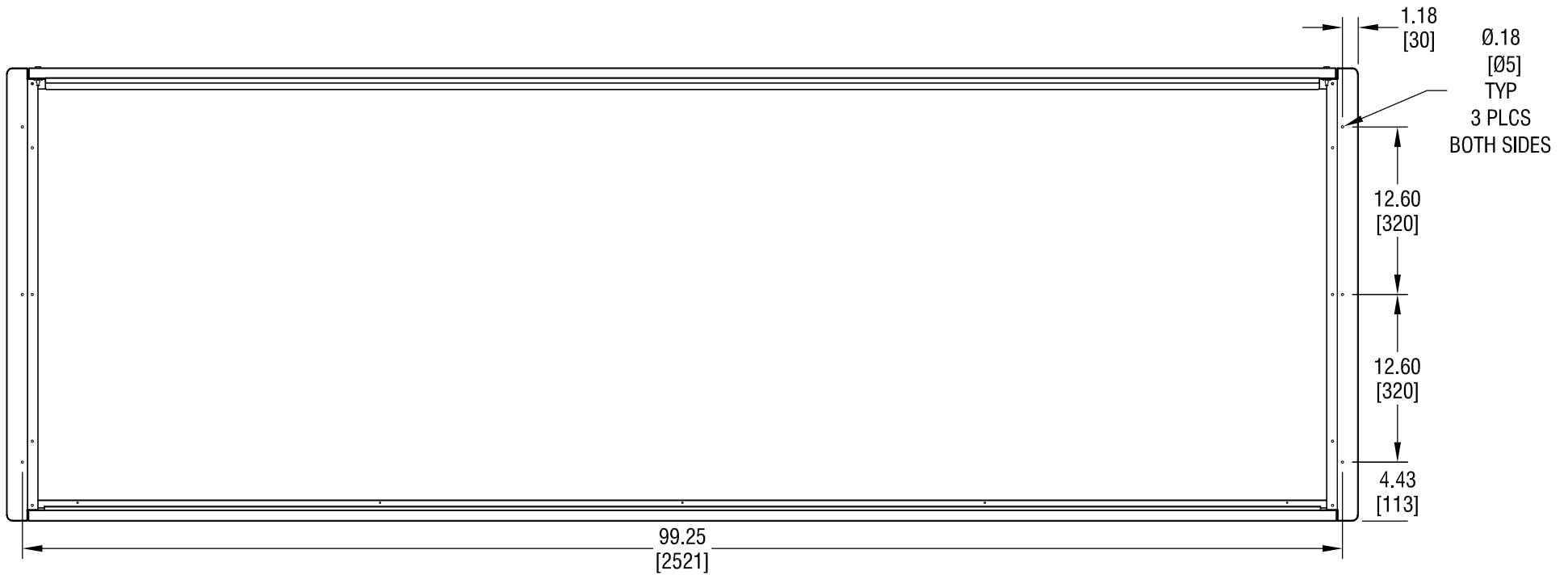


TITLE: UNIFLAIR
TOP SUPPLY/DISCHARGE PLENUM
FRAME SIZE 7
GENERAL ARRANGEMENT

DWG NO: **ACPL751XXFR7T**

REV: **0**

DRAWN BY:	M CRAVEN	12-FEB-14	3RD ANGLE PROJ
ENGINEER:	T PRICOLO/K BAER	12-FEB-14	
APPROVED BY:	C CUMMISKY	12-FEB-14	



ANCHORING DETAIL
(BOTTOM VIEW)

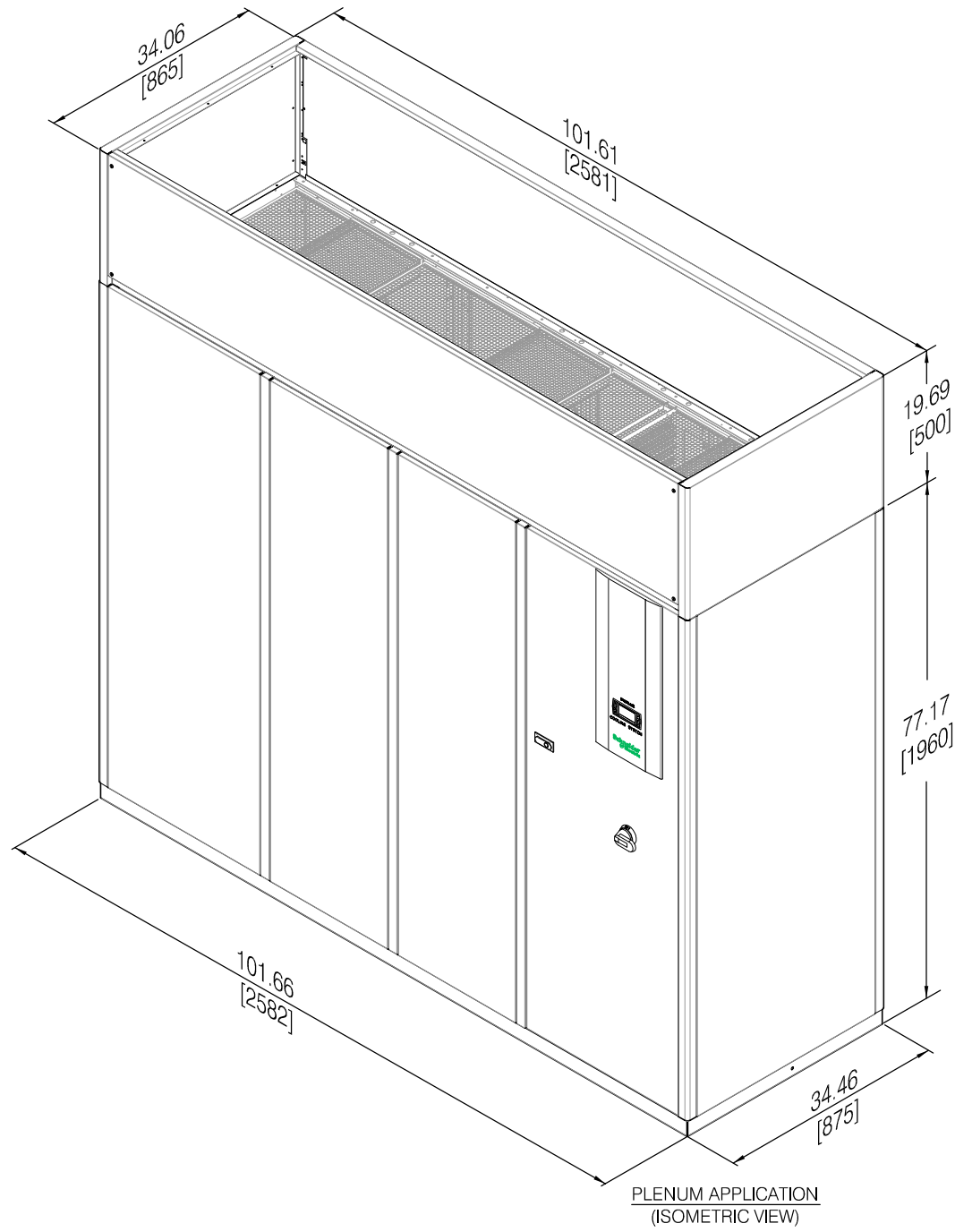
NOTES:

1. INSTALLATION SHALL COMPLY WITH ALL APPLICABLE NATIONAL AND LOCAL CODES.
2. SEE PRODUCT DOCUMENTATION FOR ADDITIONAL INFORMATION
3. UNLESS OTHERWISE SPECIFIED, ALL DIMENSIONS ARE IN INCHES [MILLIMETERS].

THIS DRAWING AND SPECIFICATIONS HEREIN ARE THE PROPERTY OF SCHNEIDER ELECTRIC AND SHALL NOT BE COPIED, REPRODUCED OR USED IN WHOLE OR IN PART, AS THE BASIS FOR THE MANUFACTURE OR SALE OF ITEMS WITHOUT WRITTEN PERMISSION FROM SCHNEIDER ELECTRIC. THIS DRAWING IS BASED UPON LATEST AVAILABLE INFORMATION AND IS SUBJECT TO CHANGE WITHOUT NOTICE.



TITLE: UNIFLAIR TOP SUPPLY/DISCHARGE PLENUM FRAME SIZE 7 ANCHORING DETAIL		DWG NO: ACPL751XXFR7T		REV: 0
DRAWN BY: M CRAVEN		12-FEB-14		3RD ANGLE PROJ
ENGINEER: T PRICOLO/K BAER		12-FEB-14		
PROJECT: DRAWINGS	SHEET 2 of 3	APPROVED BY: C CUMMISKY	12-FEB-14	



NOTES:

1. INSTALLATION SHALL COMPLY WITH ALL APPLICABLE NATIONAL AND LOCAL CODES.

THIS DRAWING AND SPECIFICATIONS HEREIN ARE THE PROPERTY OF SCHNEIDER ELECTRIC AND SHALL NOT BE COPIED, REPRODUCED OR USED IN WHOLE OR IN PART, AS THE BASIS FOR THE MANUFACTURE OR SALE OF ITEMS WITHOUT WRITTEN PERMISSION FROM SCHNEIDER ELECTRIC. THIS DRAWING IS BASED UPON LATEST AVAILABLE INFORMATION AND IS SUBJECT TO CHANGE WITHOUT NOTICE.



TITLE: UNIFLAIR
TOP SUPPLY/DISCHARGE PLENUM
FRAME SIZE 7
ISOMETRIC VIEW

DWG NO: **ACPL751XXFR7T** REV: **0**

DRAWN BY:	M CRAVEN	12-FEB-14	3RD ANGLE PROJ
ENGINEER:	T PRICOLO/K BAER	12-FEB-14	
APPROVED BY:	C CUMMISKY	12-FEB-14	