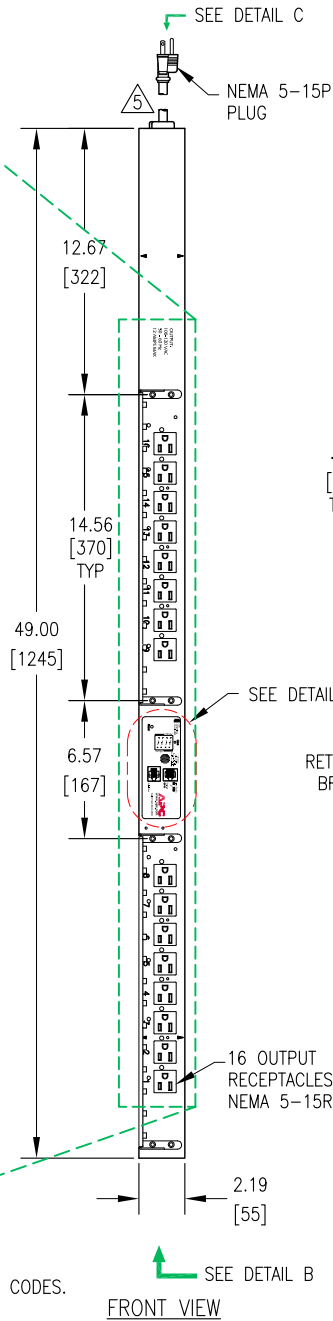
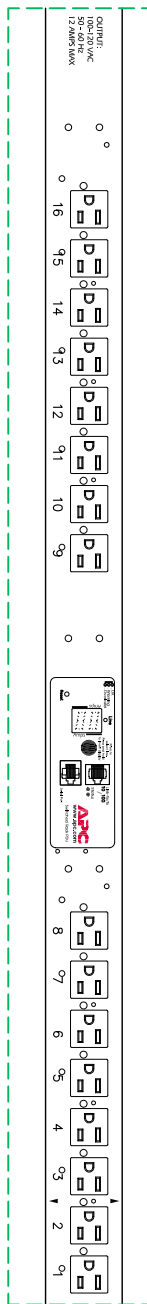
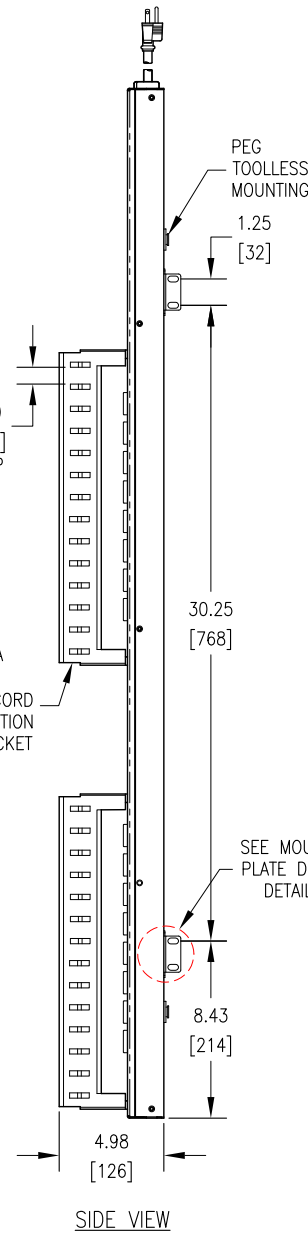


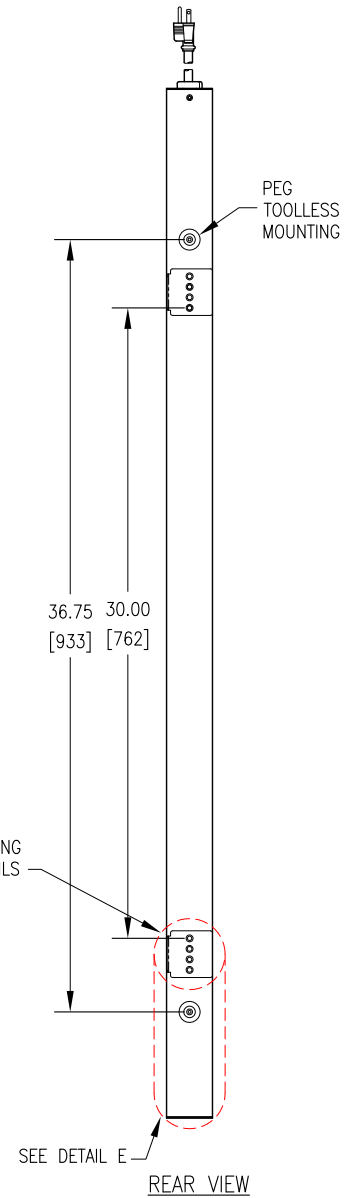
FRONT VIEW
WITHOUT CORD RETENTION BRACKET
(ENLARGED)



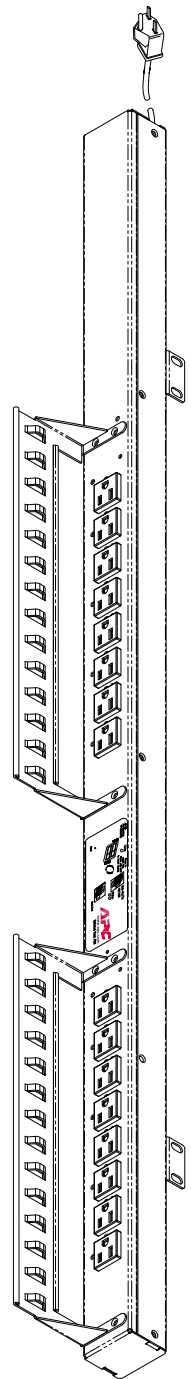
FRONT VIEW



SIDE VIEW



REAR VIEW



ISOMETRIC VIEW

NOTES:

1. INSTALLATION SHALL COMPLY WITH ALL APPLICABLE NATIONAL, STATE, AND LOCAL CODES.
2. PLEASE REFER TO PRODUCT DOCUMENTATION FOR FURTHER INFORMATION.
3. UNLESS OTHERWISE SPECIFIED, ALL DIMENSIONS ARE IN INCHES [MILLIMETERS].
4. NET WEIGHT IS 9.50 LBS [4.32 KG]
- △ 5. LENGTH OF CORD IS 120.00 INCHES [3048 MILLIMETERS]
6. UNIVERSAL MOUNTING BRACKET IS AN ALTERNATIVE MOUNTING METHOD TO THE TOOLLESS MOUNT FOR NON APC RACKS
7. BRACKET KITS TO MOUNT TO SPECIFIC COMPETITORS RACKS ARE AVAILABLE AS OPTIONS

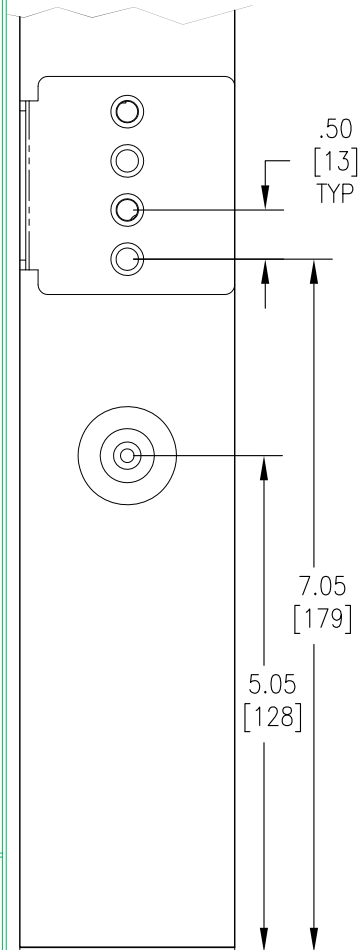
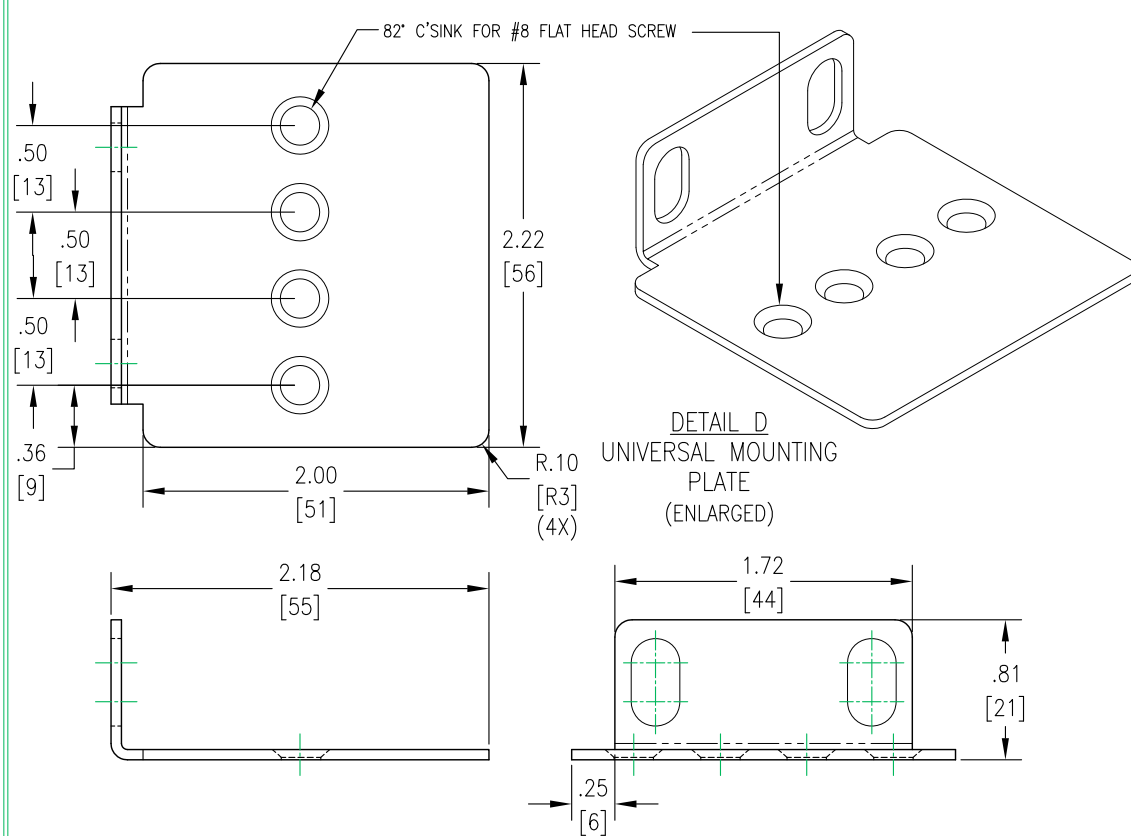
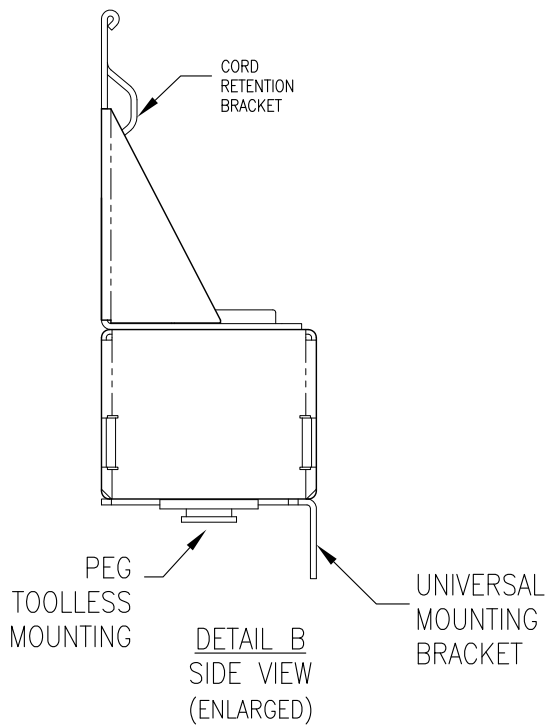
THIS DRAWING AND SPECIFICATIONS HEREIN ARE THE PROPERTY OF SCHNEIDER ELECTRIC AND SHALL NOT BE COPIED, REPRODUCED OR USED IN WHOLE OR IN PART, AS THE BASIS FOR THE MANUFACTURE OR SALE OF ITEMS WITHOUT WRITTEN PERMISSION FROM SCHNEIDER ELECTRIC. THIS DRAWING IS BASED UPON LATEST AVAILABLE INFORMATION AND IS SUBJECT TO CHANGE WITHOUT NOTICE.



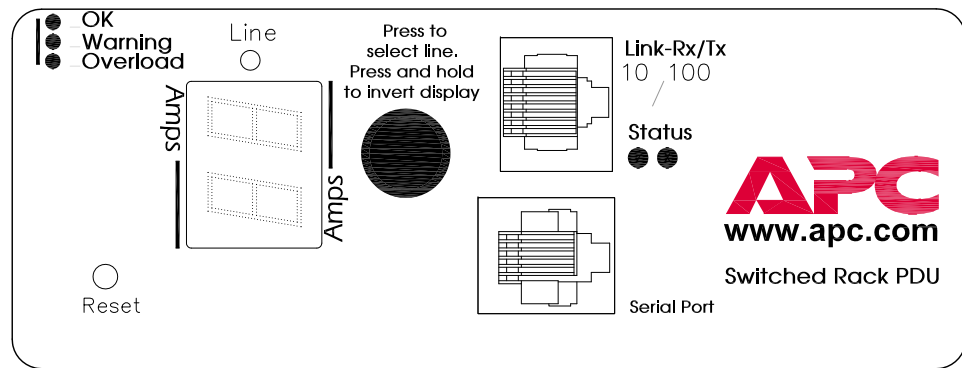
TITLE: RACK PDU, SWITCHED, ZERO U
INPUT: 100/120V, 15A MAX, NEMA 5-15P, 10FT (3.05m)
OUTPUT: (16) NEMA 5-15R
GENERAL MECHANICAL LAYOUT

PROJECT: SUBMITTAL DRAWINGS SHEET 1 OF 2

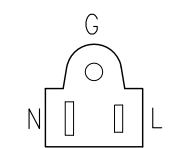
| | | | | |
|-----------|---------------------------|-----------|-------|-------|
| DWG NO: | AP7931 | | REV: | 0 |
| DRAWN: | M CRAVEN | 23-FEB-09 | THIRD | ANGLE |
| ENGINEER: | T HORSTMANN/Y JIANG | 24-FEB-09 | PROJ | |
| APPROVED: | B SHERIDAN/E SILVA/S WACH | 25-FEB-09 | | |



DETAIL E
MOUNTING
(ENLARGED)



DETAIL A
DISPLAY INTERFACE
(ENLARGED)



DETAIL C
NEMA 5-15P
(ENLARGED)

NOTES:
SEE SHEET 1

THIS DRAWING AND SPECIFICATIONS HEREIN ARE THE PROPERTY OF SCHNEIDER ELECTRIC AND SHALL NOT BE COPIED, REPRODUCED OR USED IN WHOLE OR IN PART, AS THE BASIS FOR THE MANUFACTURE OR SALE OF ITEMS WITHOUT WRITTEN PERMISSION FROM SCHNEIDER ELECTRIC. THIS DRAWING IS BASED UPON LATEST AVAILABLE INFORMATION AND IS SUBJECT TO CHANGE WITHOUT NOTICE.



TITLE: RACK PDU, SWITCHED, ZERO U
INPUT: 100/120V, 15A MAX, NEMA 5-15P, 10FT (3.05m)
OUTPUT: (16) NEMA 5-15R
DETAIL VIEWS

PROJECT: SUBMITTAL DRAWINGS SHEET 2 OF 2

| | | | |
|-----------|---------------------------|-----------|------------------|
| DWG NO: | AP7931 | REV: | 0 |
| DRAWN: | M CRAVEN | 23-FEB-09 | THIRD ANGLE PROJ |
| ENGINEER: | T HORSTMANN/Y JIANG | 24-FEB-09 | |
| APPROVED: | B SHERIDAN/E SILVA/S WACH | 25-FEB-09 | |