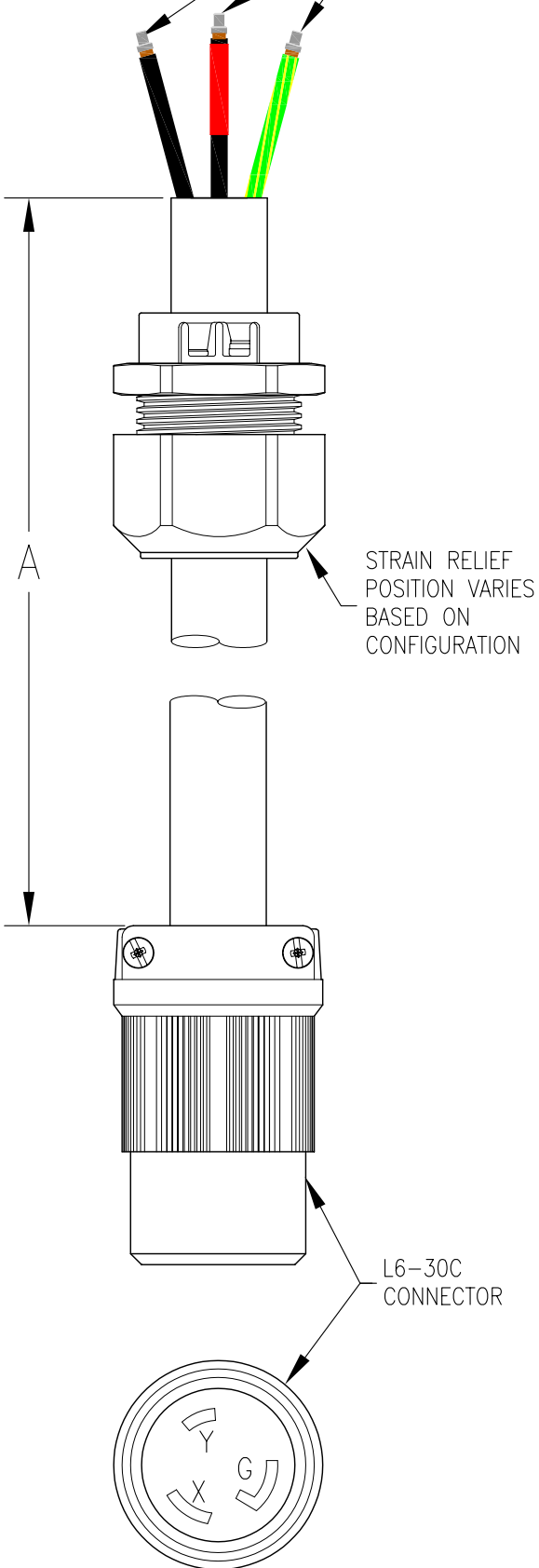


BLACK ONE-1 (L1)  
 BLACK TWO-2 (L2) WITH RED BAND MARKER  
 GREEN/YELLOW



SKU#	A	CABLE TYPE
PDW5L6-30C	5'	TC, 3 WIRE CABLE, #10 AWG, UL APP'D, W/L6-30C
PDW7L6-30C	7'	TC, 3 WIRE CABLE, #10 AWG, UL APP'D, W/L6-30C
PDW9L6-30C	9'	TC, 3 WIRE CABLE, #10 AWG, UL APP'D, W/L6-30C
PDW11L6-30C	11'	TC, 3 WIRE CABLE, #10 AWG, UL APP'D, W/L6-30C
PDW13L6-30C	13'	TC, 3 WIRE CABLE, #10 AWG, UL APP'D, W/L6-30C
PDW15L6-30C	15'	TC, 3 WIRE CABLE, #10 AWG, UL APP'D, W/L6-30C
PDW17L6-30C	17'	TC, 3 WIRE CABLE, #10 AWG, UL APP'D, W/L6-30C
PDW19L6-30C	19'	TC, 3 WIRE CABLE, #10 AWG, UL APP'D, W/L6-30C
PDW21L6-30C	21'	TC, 3 WIRE CABLE, #10 AWG, UL APP'D, W/L6-30C
PDW23L6-30C	23'	TC, 3 WIRE CABLE, #10 AWG, UL APP'D, W/L6-30C
PDW25L6-30C	25'	TC, 3 WIRE CABLE, #10 AWG, UL APP'D, W/L6-30C
PDW27L6-30C	27'	TC, 3 WIRE CABLE, #10 AWG, UL APP'D, W/L6-30C
PDW29L6-30C	29'	TC, 3 WIRE CABLE, #10 AWG, UL APP'D, W/L6-30C
PDW31L6-30C	31'	TC, 3 WIRE CABLE, #10 AWG, UL APP'D, W/L6-30C
PDW33L6-30C	33'	TC, 3 WIRE CABLE, #10 AWG, UL APP'D, W/L6-30C
PDW35L6-30C	35'	TC, 3 WIRE CABLE, #10 AWG, UL APP'D, W/L6-30C
PDW37L6-30C	37'	TC, 3 WIRE CABLE, #10 AWG, UL APP'D, W/L6-30C
PDW39L6-30C	39'	TC, 3 WIRE CABLE, #10 AWG, UL APP'D, W/L6-30C
PDW41L6-30C	41'	TC, 3 WIRE CABLE, #10 AWG, UL APP'D, W/L6-30C
PDW43L6-30C	43'	TC, 3 WIRE CABLE, #10 AWG, UL APP'D, W/L6-30C
PDW45L6-30C	45'	TC, 3 WIRE CABLE, #10 AWG, UL APP'D, W/L6-30C
PDW47L6-30C	47'	TC, 3 WIRE CABLE, #10 AWG, UL APP'D, W/L6-30C
PDW49L6-30C	49'	TC, 3 WIRE CABLE, #10 AWG, UL APP'D, W/L6-30C
PDW51L6-30C	51'	TC, 3 WIRE CABLE, #10 AWG, UL APP'D, W/L6-30C
PDW53L6-30C	53'	TC, 3 WIRE CABLE, #10 AWG, UL APP'D, W/L6-30C
PDW55L6-30C	55'	TC, 3 WIRE CABLE, #10 AWG, UL APP'D, W/L6-30C
PDW57L6-30C	57'	TC, 3 WIRE CABLE, #10 AWG, UL APP'D, W/L6-30C
PDW59L6-30C	59'	TC, 3 WIRE CABLE, #10 AWG, UL APP'D, W/L6-30C
PDW61L6-30C	61'	TC, 3 WIRE CABLE, #10 AWG, UL APP'D, W/L6-30C
PDW63L6-30C	63'	TC, 3 WIRE CABLE, #10 AWG, UL APP'D, W/L6-30C

NOTE:  
 INSTALLATION SHALL COMPLY WITH ALL APPLICABLE NATIONAL, STATE, AND LOCAL CODES.

THIS DRAWING AND SPECIFICATIONS HEREIN ARE THE PROPERTY OF AMERICAN POWER CONVERSION AND SHALL NOT BE COPIED, REPRODUCED OR USED IN WHOLE OR IN PART, AS THE BASIS FOR THE MANUFACTURE OR SALE OF ITEMS WITHOUT WRITTEN PERMISSION FROM APC. THIS DRAWING IS BASED UPON LATEST AVAILABLE INFORMATION AND IS SUBJECT TO CHANGE WITHOUT NOTICE.



TITLE:  
 ISX 3WIRE WHIP W/L6-30 11 FT  
 INPUT: 208VAC, 1φ, 2W+GND  
 OUTPUT: (1) NEMA L6-30R

DWG NO:	PDW(L6-30C)	REV:	0
DRAWN:	M CRAVEN	29-JUL-08	THIRD
ENGINEER:	F SYED	31-JUL-08	ANGLE
APPROVED:	B SHERIDAN	01-AUG-08	PROJ

PROJECT: SUBMITTAL DRAWINGS SHEET 1 OF 1