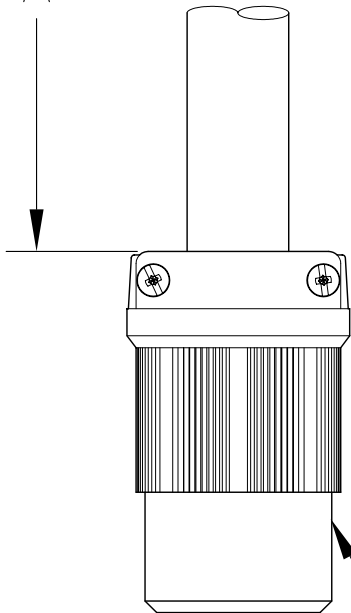


L21-20P
PLUG



L21-20R
CONNECTOR

SKU#	A	CABLE TYPE
PDW4L21-20XC	4'	TC. 5 WIRE CABLE. #10 AWG, UL APP'D, W/L21-20R/L21-20P
PDW6L21-20XC	6'	TC. 5 WIRE CABLE. #10 AWG, UL APP'D, W/L21-20R/L21-20P
PDW8L21-20XC	8'	TC. 5 WIRE CABLE. #10 AWG, UL APP'D, W/L21-20R/L21-20P
PDW10L21-20XC	10'	TC. 5 WIRE CABLE. #10 AWG, UL APP'D, W/L21-20R/L21-20P
PDW12L21-20XC	12'	TC. 5 WIRE CABLE. #10 AWG, UL APP'D, W/L21-20R/L21-20P
PDW14L21-20XC	14'	TC. 5 WIRE CABLE. #10 AWG, UL APP'D, W/L21-20R/L21-20P
PDW16L21-20XC	16'	TC. 5 WIRE CABLE. #10 AWG, UL APP'D, W/L21-20R/L21-20P
PDW18L21-20XC	18'	TC. 5 WIRE CABLE. #10 AWG, UL APP'D, W/L21-20R/L21-20P
PDW20L21-20XC	20'	TC. 5 WIRE CABLE. #10 AWG, UL APP'D, W/L21-20R/L21-20P
PDW22L21-20XC	22'	TC. 5 WIRE CABLE. #10 AWG, UL APP'D, W/L21-20R/L21-20P
PDW24L21-20XC	24'	TC. 5 WIRE CABLE. #10 AWG, UL APP'D, W/L21-20R/L21-20P
PDW26L21-20XC	26'	TC. 5 WIRE CABLE. #10 AWG, UL APP'D, W/L21-20R/L21-20P
PDW28L21-20XC	28'	TC. 5 WIRE CABLE. #10 AWG, UL APP'D, W/L21-20R/L21-20P
PDW30L21-20XC	30'	TC. 5 WIRE CABLE. #10 AWG, UL APP'D, W/L21-20R/L21-20P
PDW32L21-20XC	32'	TC. 5 WIRE CABLE. #10 AWG, UL APP'D, W/L21-20R/L21-20P

NOTES:
INSTALLATION SHALL COMPLY
WITH ALL APPLICABLE
NATIONAL, STATE, AND LOCAL
CODES.

THIS DRAWING AND SPECIFICATIONS HEREIN ARE THE PROPERTY OF
AMERICAN POWER CONVERSION AND SHALL NOT BE COPIED,
REPRODUCED OR USED IN WHOLE OR IN PART, AS THE BASIS FOR
THE MANUFACTURE OR SALE OF ITEMS WITHOUT WRITTEN PERMISSION
FROM APC. THIS DRAWING IS BASED UPON LATEST AVAILABLE
INFORMATION AND IS SUBJECT TO CHANGE WITHOUT NOTICE.



TITLE:
ISX CABLE EXTENDERS
INPUT: 208VAC, 3 ϕ , 3W+N+GND, NEMA L21-20P
OUTPUT: NEMA L21-20R

DWG NO: PDW(L21-20XC)

REV. 0

DRAWN:	M CRAVEN	29-JUL-08	THIRD
ENGINEER:	F SYED	31-JUL-08	ANGLE
APPROVED:	B SHERIDAN	01-AUG-08	PROJ

PROJECT: SUBMITTAL DRAWINGS SHEET 1 OF 1