

NOTES:

- PLEASE REFER TO INSTALLATION GUIDE.
- WEIGHT OF UNIT (TOTAL) = 1399 LBS [635.91 kg].
- CABLE ENTRY IS BOTTOM OF UNIT.
- ALL DIMENSIONS ARE IN INCHES [MILLIMETERS].
- INSTALLATION MUST COMPLY WITH ALL APPLICABLE NATIONAL AND LOCAL CODES.

THIS DRAWING AND SPECIFICATIONS HEREIN ARE THE PROPERTY OF AMERICAN POWER CONVERSION AND SHALL NOT BE COPIED, REPRODUCED OR USED IN WHOLE OR IN PART, AS THE BASIS FOR THE MANUFACTURE OR SALE OF ITEMS WITHOUT WRITTEN PERMISSION FROM APC. THIS DRAWING IS BASED UPON LATEST AVAILABLE INFORMATION AND IS SUBJECT TO CHANGE WITHOUT NOTICE.



TITLE: SYMMETRA MW UPS
480V AC 3PH, 2000kW
EXTERNAL STATIC SWITCH
BOTTOM CABLE ENTRY OPTION
MAIN MECHANICAL

DWG NO: SYSSWB2000KG-MM REV. 6

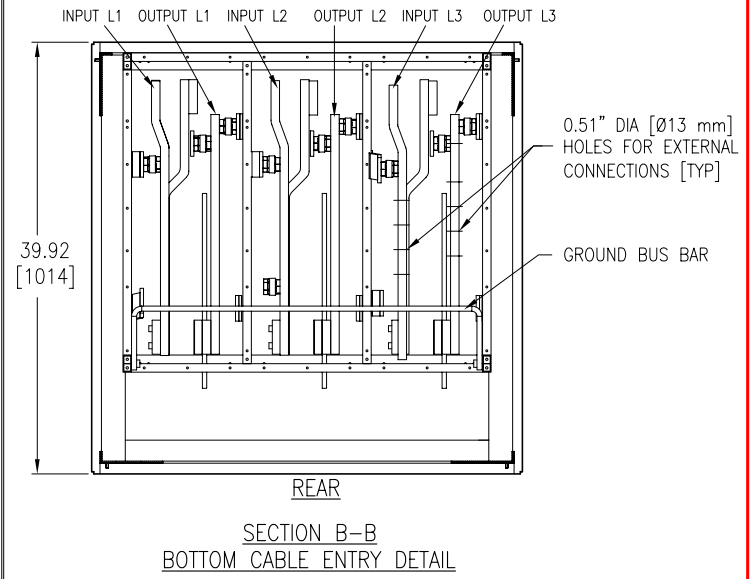
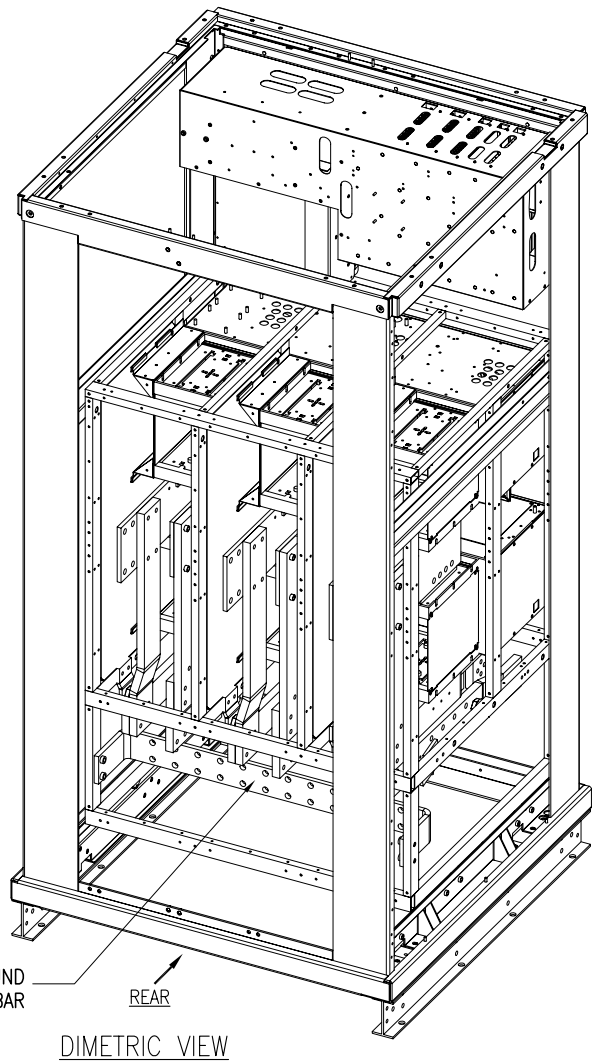
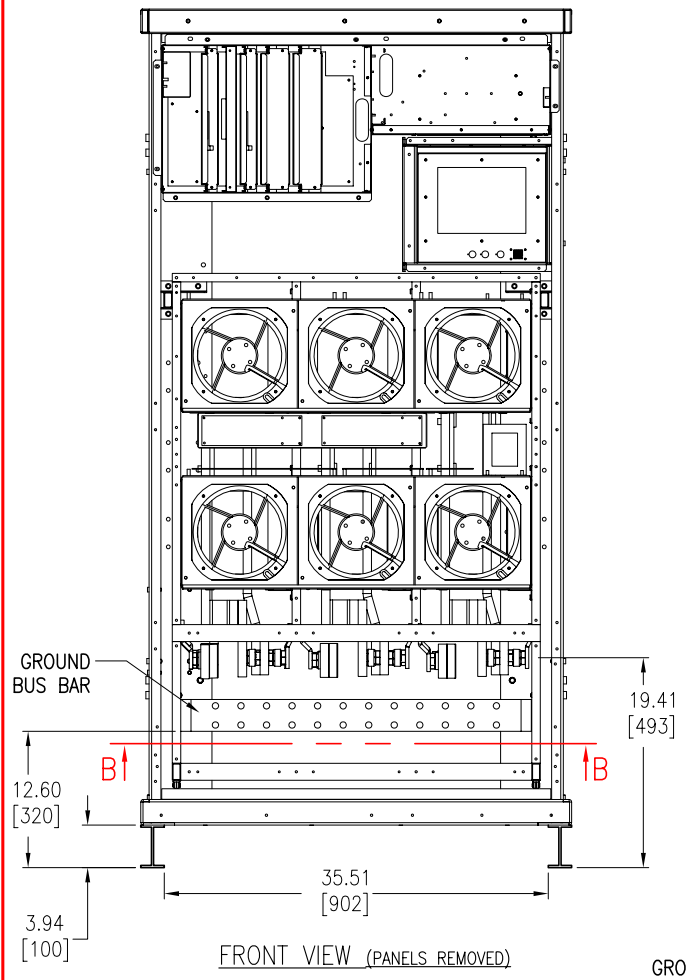
DRAWN: K.NAGENDRA 08-APR-08

ENGINEER: E.HANSON/LDUJELUND 08-APR-08

APPROVED: B.SHERIDAN/E.SILVA 08-APR-08

PROJECT: SUBMITTAL DRAWINGS SHEET 1 OF 5

THIRD ANGLE PROJECTION



- NOTES:
- PLEASE REFER TO INSTALLATION GUIDE.
 - SOME NON-ESSENTIAL MECHANICAL COMPONENTS HAVE BEEN OMITTED FOR THE PURPOSE OF CLARITY.
 - ALL DIMENSIONS ARE IN INCHES [MILLIMETERS].
 - INSTALLATION MUST COMPLY WITH ALL APPLICABLE NATIONAL AND LOCAL CODES.

THIS DRAWING AND SPECIFICATIONS HEREIN ARE THE PROPERTY OF AMERICAN POWER CONVERSION AND SHALL NOT BE COPIED, REPRODUCED OR USED IN WHOLE OR IN PART, AS THE BASIS FOR THE MANUFACTURE OR SALE OF ITEMS WITHOUT WRITTEN PERMISSION FROM APC. THIS DRAWING IS BASED UPON LATEST AVAILABLE INFORMATION AND IS SUBJECT TO CHANGE WITHOUT NOTICE.



TITLE: SYMMETRA MW UPS
480V AC 3PH, 2000KW
EXTERNAL STATIC SWITCH
BOTTOM CABLE ENTRY OPTION
ELECTROMECHANICAL

PROJECT: SUBMITTAL DRAWINGS SHEET 2 OF 5

DWG NO: SYSSWB2000KG-ME1

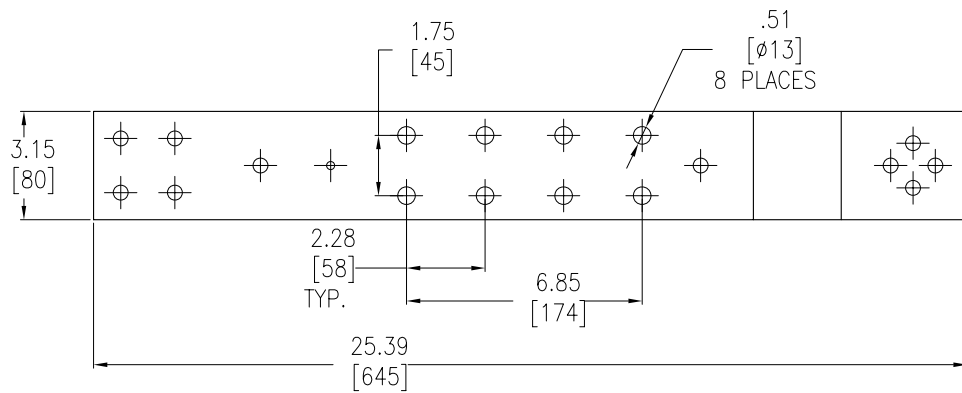
DRAWN: K.NAGENDRA 08-APR-08

ENGINEER: E.HANSON/LDJELUND 08-APR-08

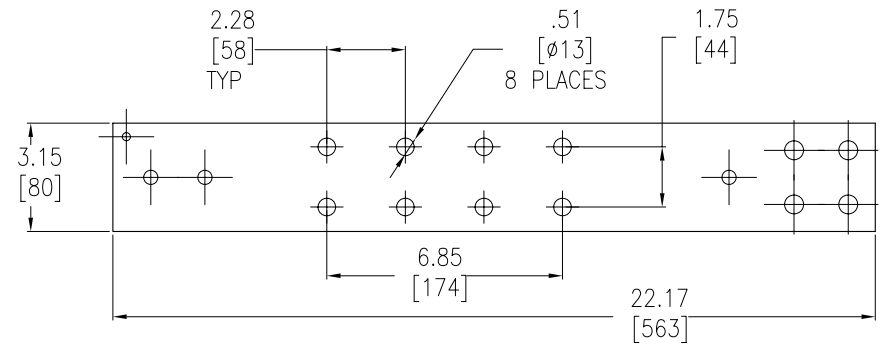
APPROVED: B.SHERIDAN/E.SILVA 08-APR-08

REV. 6

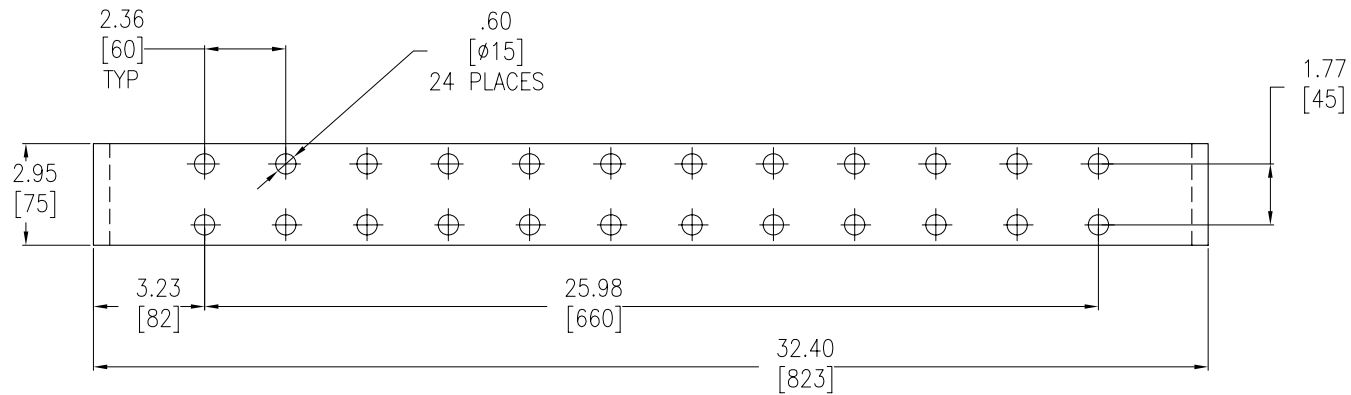
THIRD ANGLE PROJECTION



INPUT BUSBAR DETAILS
 {Thickness-0.787[20.0]}



OUTPUT BUSBAR DETAIL
 {Thickness-0.787[20.0]}



GROUND BUSBAR DETAIL
 {Thickness-0.472[12.0]}

NOTES:

1. PLEASE REFER TO INSTALLATION GUIDE FOR FLOOR ANCHORING PROCEDURE
2. ALL DIMENSIONS ARE IN INCHES [MILLIMETERS]
3. INSTALLATION MUST COMPLY WITH ALL APPLICABLE NATIONAL AND LOCAL CODES

THIS DRAWING AND SPECIFICATIONS HEREIN ARE THE PROPERTY OF AMERICAN POWER CONVERSION AND SHALL NOT BE COPIED, REPRODUCED OR USED IN WHOLE OR IN PART, AS THE BASIS FOR THE MANUFACTURE OR SALE OF ITEMS WITHOUT WRITTEN PERMISSION FROM APC. THIS DRAWING IS BASED UPON LATEST AVAILABLE INFORMATION AND IS SUBJECT TO CHANGE WITHOUT NOTICE.



TITLE: SYMMETRA MW UPS
 480V AC 3PH, 2000KW
 EXTERNAL STATIC SWITCH
 BOTTOM CABLE ENTRY OPTION
 BUSBAR DETAILS

PROJECT: SUBMITTAL DRAWINGS SHEET 3 OF 5

DWG NO: SYSSWB2000KG-ME2

DRAWN: K.NAGENDRA 08-APR-08

ENGINEER: E.HANSON/LDUJELUND 08-APR-08

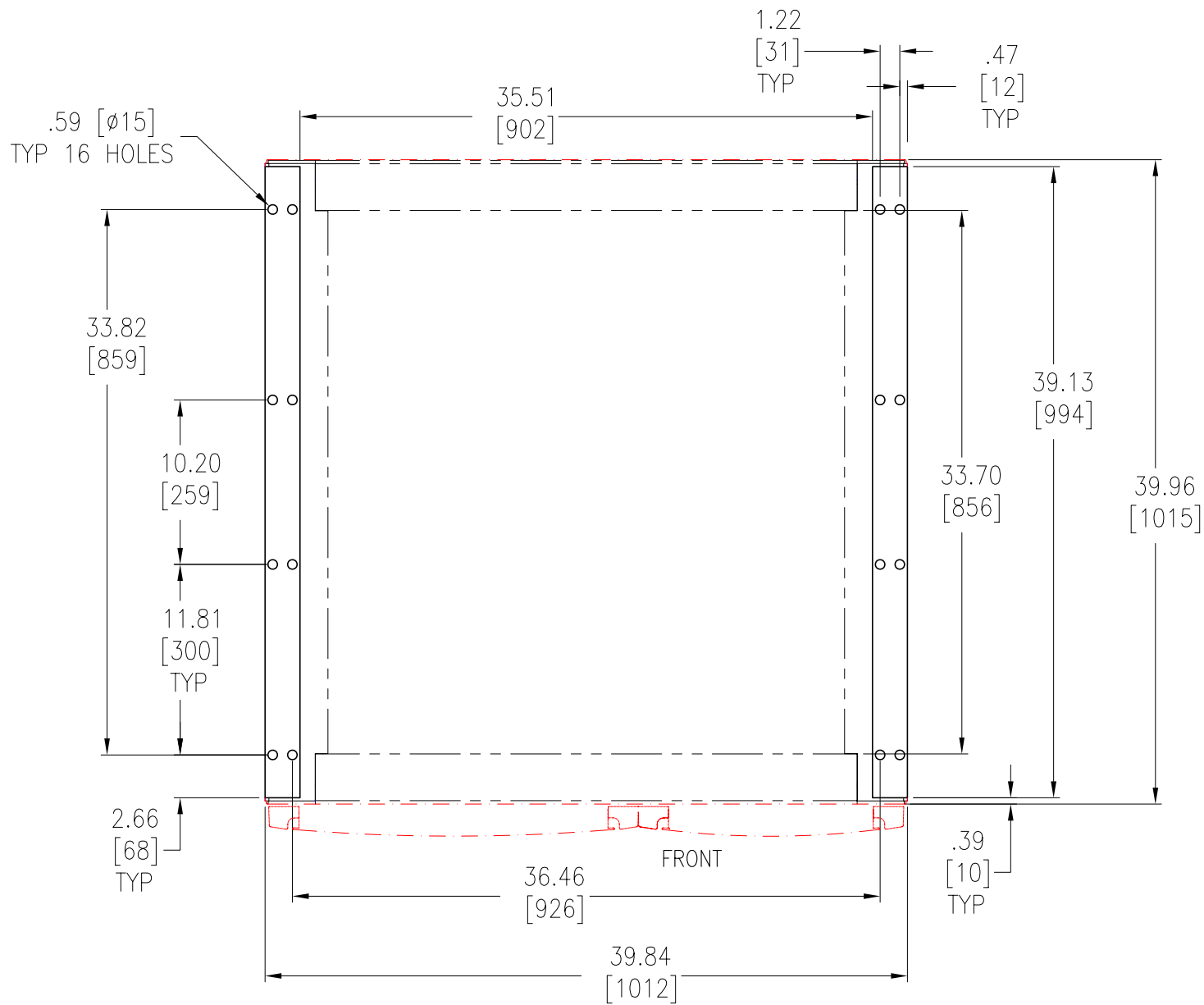
APPROVED: B.SHERIDAN/E.SILVA 08-APR-08

REV. 6

THIRD

ANGLE

PROJECTION



FLOOR ANCHORING DETAILS

NOTES:

1. PLEASE REFER TO INSTALLATION GUIDE FOR FLOOR ANCHORING PROCEDURE
2. ALL DIMENSIONS ARE IN INCHES [MILLIMETERS]
3. INSTALLATION MUST COMPLY WITH ALL APPLICABLE NATIONAL AND LOCAL CODES

THIS DRAWING AND SPECIFICATIONS HEREIN ARE THE PROPERTY OF AMERICAN POWER CONVERSION AND SHALL NOT BE COPIED, REPRODUCED OR USED IN WHOLE OR IN PART, AS THE BASIS FOR THE MANUFACTURE OR SALE OF ITEMS WITHOUT WRITTEN PERMISSION FROM APC. THIS DRAWING IS BASED UPON LATEST AVAILABLE INFORMATION AND IS SUBJECT TO CHANGE WITHOUT NOTICE.



TITLE: SYMMETRA MW UPS
480V AC 3PH, 2000KW
EXTERNAL STATIC SWITCH
BOTTOM CABLE ENTRY OPTION
FLOOR ANCHORING

PROJECT: SUBMITTAL DRAWINGS SHEET 4 OF 5

DWG NO: SYSSWB2000KG-FA

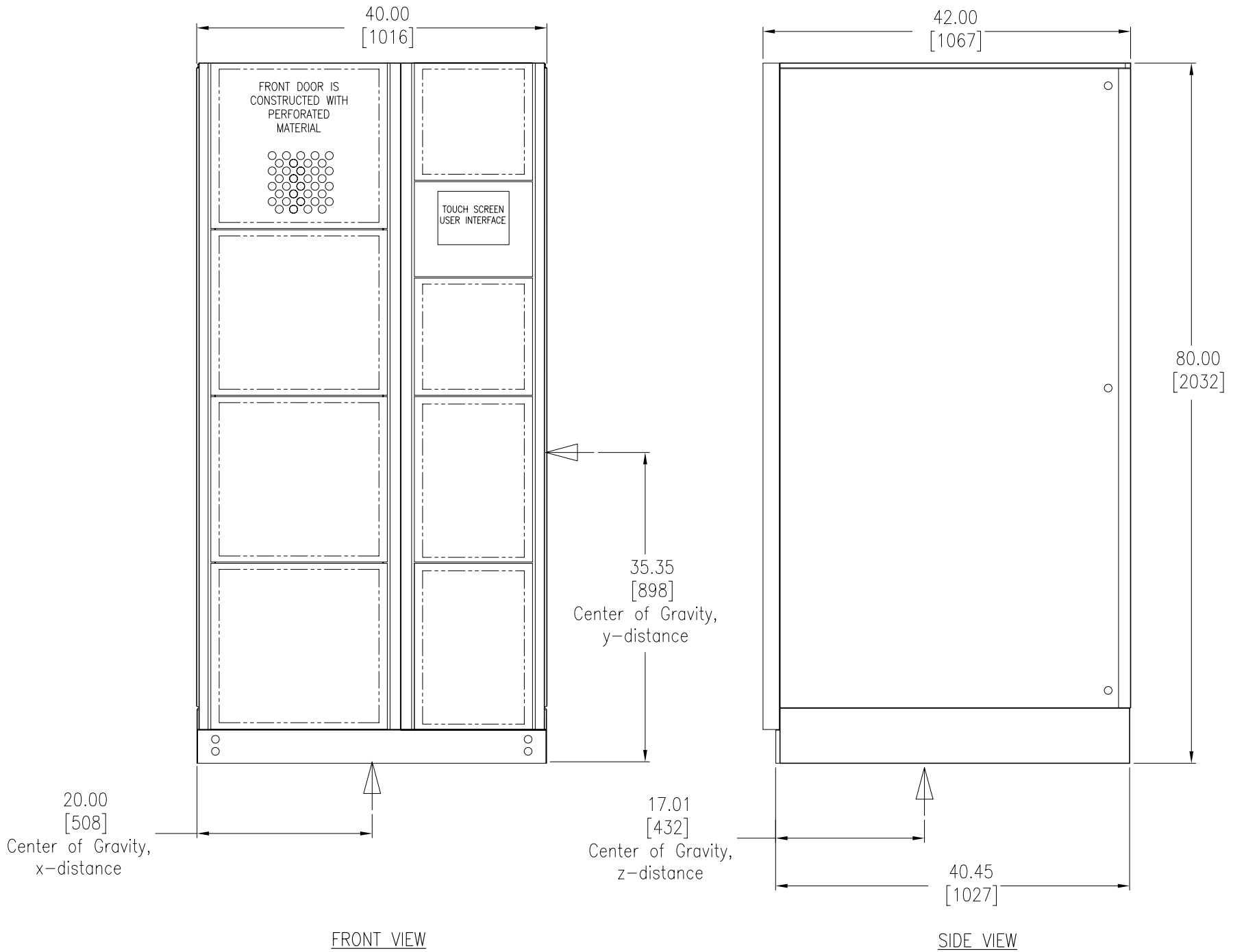
DRAWN: K.NAGENDRA 08-APR-08

ENGINEER: E.HANSON/LDUJELUND 08-APR-08

APPROVED: B.SHERIDAN/E.SILVA 08-APR-08

REV. 7

THIRD ANGLE PROJECTION



NOTES:

- PLEASE REFER TO INSTALLATION GUIDE
- ALL DIMENSIONS ARE IN INCHES [MILLIMETERS]
- INSTALLATION MUST COMPLY WITH ALL APPLICABLE NATIONAL AND LOCAL CODES

THIS DRAWING AND SPECIFICATIONS HEREIN ARE THE PROPERTY OF AMERICAN POWER CONVERSION AND SHALL NOT BE COPIED, REPRODUCED OR USED IN WHOLE OR IN PART, AS THE BASIS FOR THE MANUFACTURE OR SALE OF ITEMS WITHOUT WRITTEN PERMISSION FROM APC. THIS DRAWING IS BASED UPON LATEST AVAILABLE INFORMATION AND IS SUBJECT TO CHANGE WITHOUT NOTICE.



TITLE: SYMMETRA MW UPS
480V AC 3PH, 2000KW
EXTERNAL STATIC SWITCH
BOTTOM CABLE ENTRY OPTION
CENTER OF GRAVITY

PROJECT: SUBMITTAL DRAWINGS SHEET 5 OF 5

DWG NO: SYSSWB2000KG-CG

DRAWN: K.NAGENDRA 08-APR-08

ENGINEER: E.HANSON/L.DUELUND 08-APR-08

APPROVED: B.SHERIDAN/E.SILVA 08-APR-08

REV. 6

THIRD

ANGLE

PROJECTION